

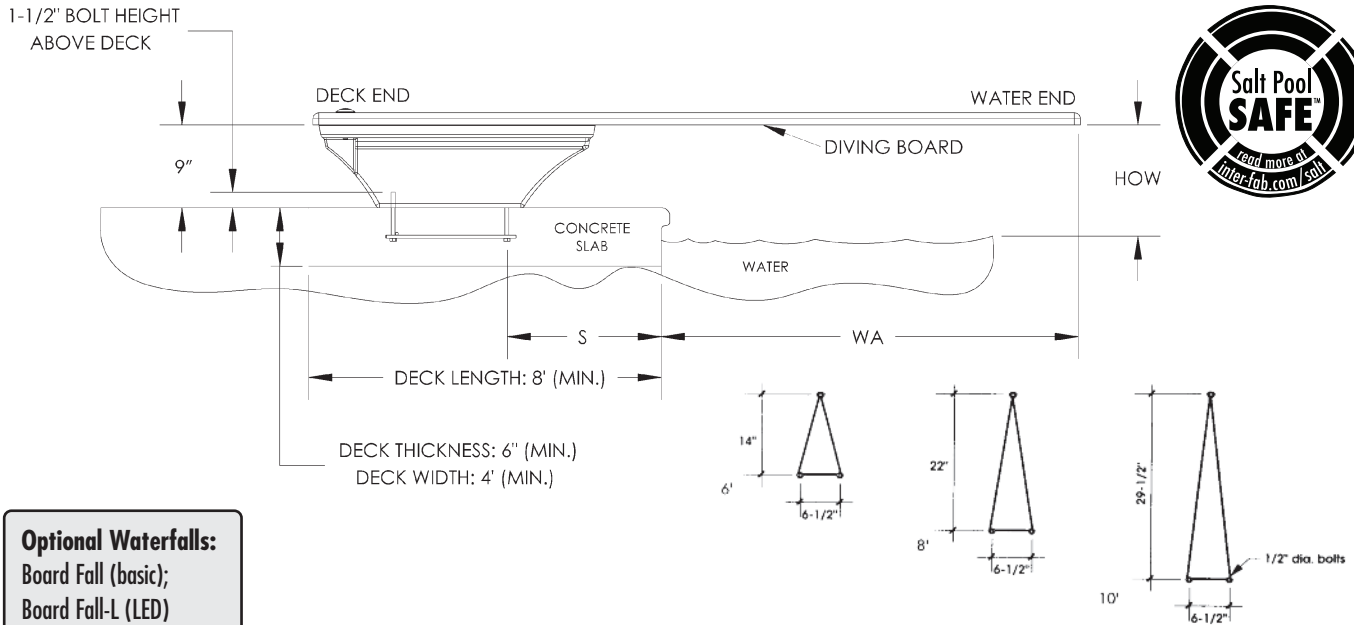
LA MESA BASE:



Part # LAM6 (La Mesa base, 6' jig & hardware)
 Part # LAM8 (La Mesa base, 8' jig & hardware)
 Part # LAM10 (La Mesa base, 10' jig & hardware)
 See page 117 for paver jig info.
 Compatible with Epoxy Mounting Kit Part # EPX-5

FEATURES:

- Passive Base - Spring Feature is Derived from Board Only
- Durable & Long Lasting Acrylic & Fiberglass Construction
- Board Fall Compatible Base
- Weight Limit = 250 lbs.
- Available in 6', 8', or 10' Set-Ups
- 2 Hole Drill Pattern 12" on center
- Refer to Board Chart on Pg. 7
- Refer to Available Base Colors on Pg. 7

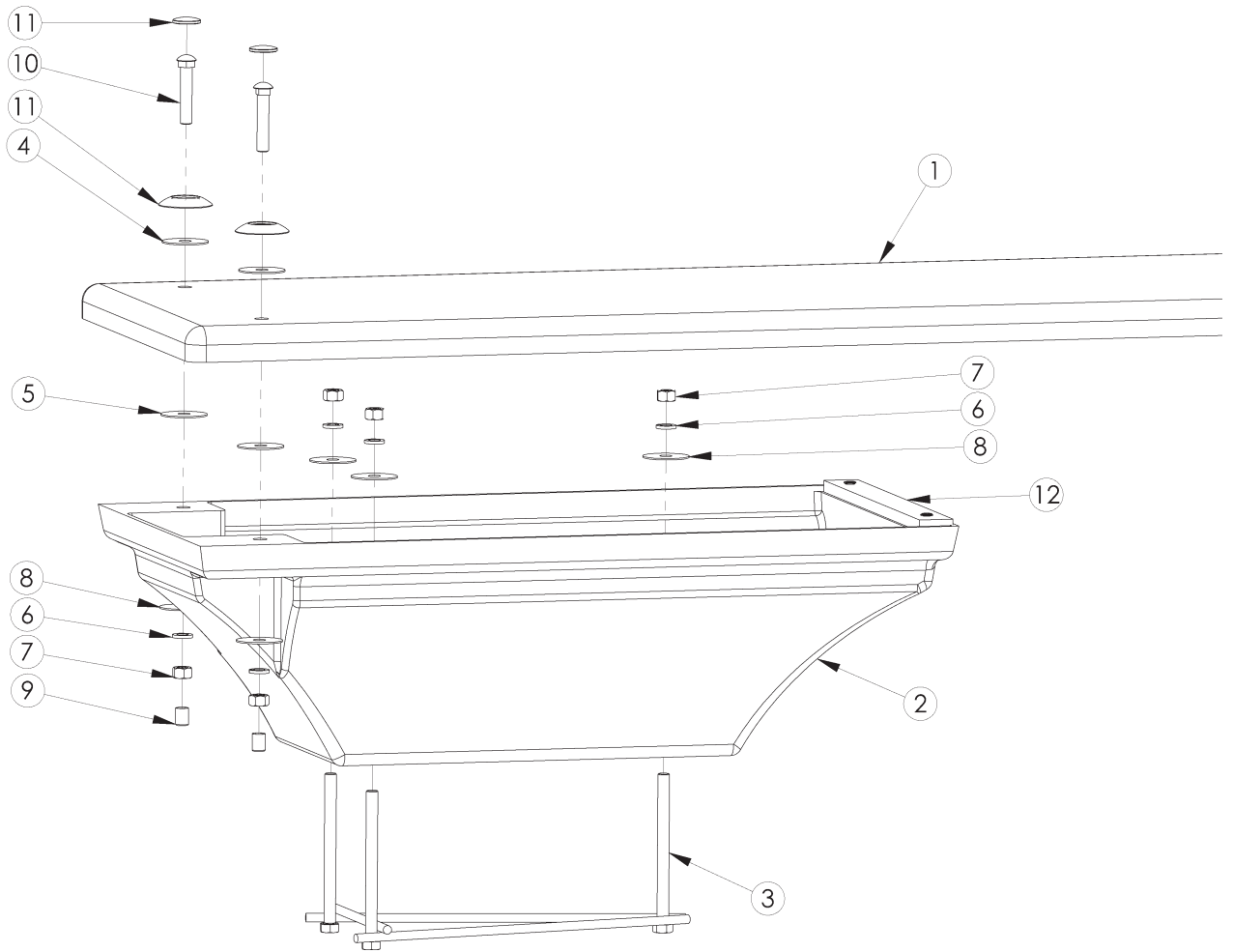


Optional Waterfalls:
 Board Fall (basic);
 Board Fall-L (LED)

IMPORTANT:
 THESE DIMENSIONS ARE ACCURATE ONLY FOR VERTICAL POOL WALLS, **TYPICALLY GUNITE CONSTRUCTION**, WITH LESS THAN A 3' RADIUS TO THE POOL FLOOR.
 DUE TO THE VARYING SIZES OF OTHER POOLS, **TYPICALLY VINYL LINER CONSTRUCTION**, PLEASE CONTACT CUSTOMER SERVICE FOR PROPER JIG PLACEMENT.
1-800-737-5386

LA MESA PART #	NOMINAL BOARD LENGTH	ANSI/ POOL TYPE	DISTANCE FROM WATER'S EDGE TO FORWARD JIG BOLT (S)	DISTANCE FROM END OF BOARD TO FORWARD JIG BOLT	MIN. OVERHANG PLUS OR MINUS 3" (WA)	MAX HEIGHT OF BOARD ABOVE WATER (HOW)
LAM6	6'	I	27.5"	45.5"	18"	20"
LAM6	6'	II	27.5"	45.5"	18"	20"
LAM6	6'	III	21.5"	45.5"	24"	26"
LAM6	6'	IV	15.5"	45.5"	30"	30"
LAM6	6'	V	9.5"	45.5"	36"	40"
LAM8	8'	I	NOT ALLOWED			
LAM8	8'	II	41.25"	59.25"	18"	20"
LAM8	8'	III	35.25"	59.25"	24"	26"
LAM8	8'	IV	29.25"	59.25"	30"	30"
LAM8	8'	V	23.25"	59.25"	36"	40"
LAM10	10'	I	NOT ALLOWED			
LAM10	10'	II	NOT ALLOWED			
LAM10	10'	III	51.5"	75.5"	24"	26"
LAM10	10'	IV	45.5"	75.5"	30"	30"
LAM10	10'	V	39.5"	75.5"	36"	40"

LA MESA BASE (LAM6):



DRAWING REPRESENTS THE FOLLOWING PART NUMBERS:	
LAM6 (shown)	
LAM8	
LAM10	

Check your local electrical code requirements for bonding requirements.

ITEM #	COMPONENT	DESCRIPTION	KITS – QTY. COUNTS		
			DB-TB-M	LM-BK	LA MESA
1	DB6WW	6' Duro-Beam White w/White Top Tread & Hdw Kit			1
2	LAM6	6' La Mesa Fiberglass Diving Base			1
3	LM-J6	6' La Mesa/Los Arcos Mounting Jig			1
4	H-1/2 BLK WASH	1/2 x 2" Black Rubber Washer	2		
5	H-1/2 RED WASH	1/2 x 2" Red Rubber Washer	2		
6	H-SS 1/2 LOC WA	1/2 Lock Washer S.S.	2	3	
7	H-SS 1/2 H NUT	1/2"- 13 Hex Finish Nut S.S.	2	3	
8	H-SS 1/2 F WAS	1/2 USS Flat Washer S.S.	2	3	
9	H-1-1/2 WHT CAP	.750 x 1-1/2 White UV Nut Cap	2		
10	H-SS 5 C BOLT	1/2-13 x 5 Carriage Bolt S.S.	2		
11	H-WHT WAS/CAP	I.F. White Washer/Cap	2		
12	LM-FP	La Mesa/Los Arcos Rubber Fulcrum Pad			1
13*	H-ANTI-SEIZE	Packet of Anti Seize Lubricant (not shown)	1		

DB-TB-M:
Board to Base Mounting Hardware

LM-BK:
Base to Jig Mounting Hardware

* not pictured

NOTES:

DB6WW diving board shown in exploded view for illustration purposes. Must be purchased separately. Other diving board options available.