

Top Access

Powered by

aquabot

Robotic Pool Cleaner

Nettoyeur de Piscine

Automatischer Schwimmbeckenreiniger

Limpiafondos de Piscina

Aspirador Automático de Piscina

Robot di Pulizia per Piscine

Operating Instructions

Mise en marche de votre robot nettoyeur de piscine

Bedienungsanleitung für den automatischen Bodensauger

Funzionamento del nuovo robot di pulizia per piscine

Manejo de Limpiafondos de Piscina

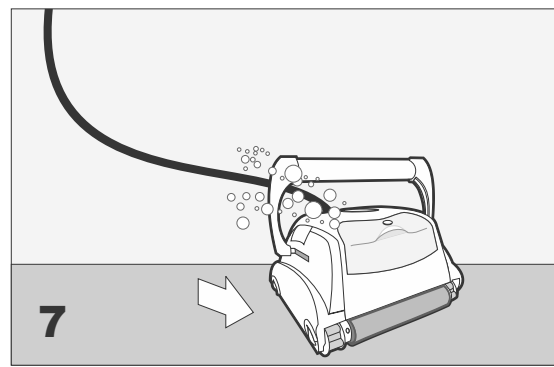
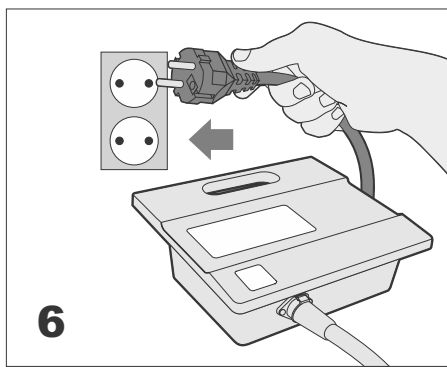
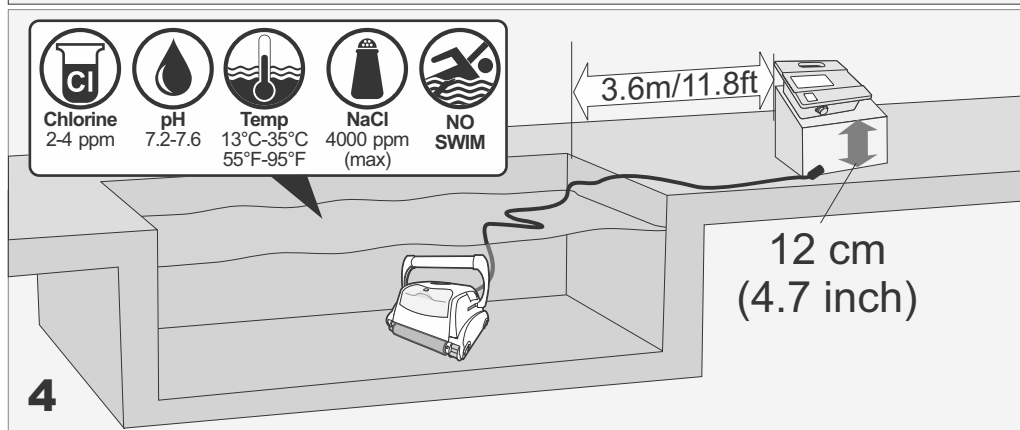
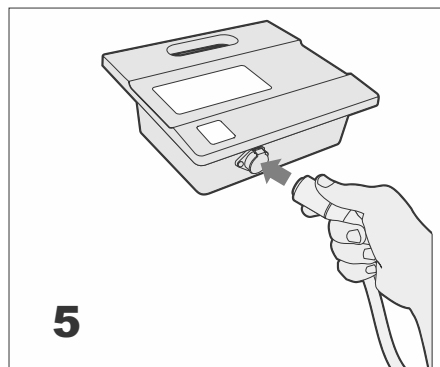
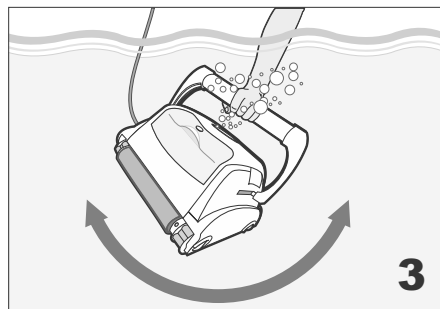
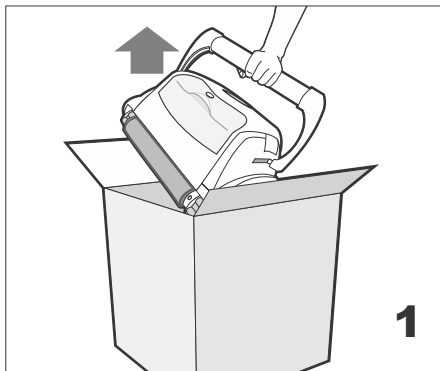
Manual de instruções

BK 0019036 | Rev PB



Quick start guide
Guide de démarrage rapide
Kurzanleitung

Manuale di avvio rapido
Guía de inicio rápido
Guia de inicio rápido



Float installation
 L'installation de flotteurs
 Schwimmende Schaum Installation
 Installazione di flottante
 Instalación de flotador
 Instalação de flutuar

English:

*To avoid a possible electrical shock, do not use this product if the floating cable appears to be damaged.

French:

*Pour éviter tout choc électrique possible, ne pas utiliser ce produit si le câble flottant est endommagé.

German:

*Um einen möglichen Stromschlag zu vermeiden, verwenden Sie dieses Produkt nicht, wenn das Schwimmkabel beschädigt zu sein scheint.

Italian:

*Per evitare il rischio di scosse elettriche non utilizzare questo prodotto se il cavo galleggiante appare danneggiato

Spanish:

*Para evitar una descarga eléctrica, no use este producto si el cable flotante parece estar dañado.

Portuguese:

*Para evitar um possível choque elétrico, não utilize este produto caso o cabo flutuante aparente estar danificado.

Netherlands:

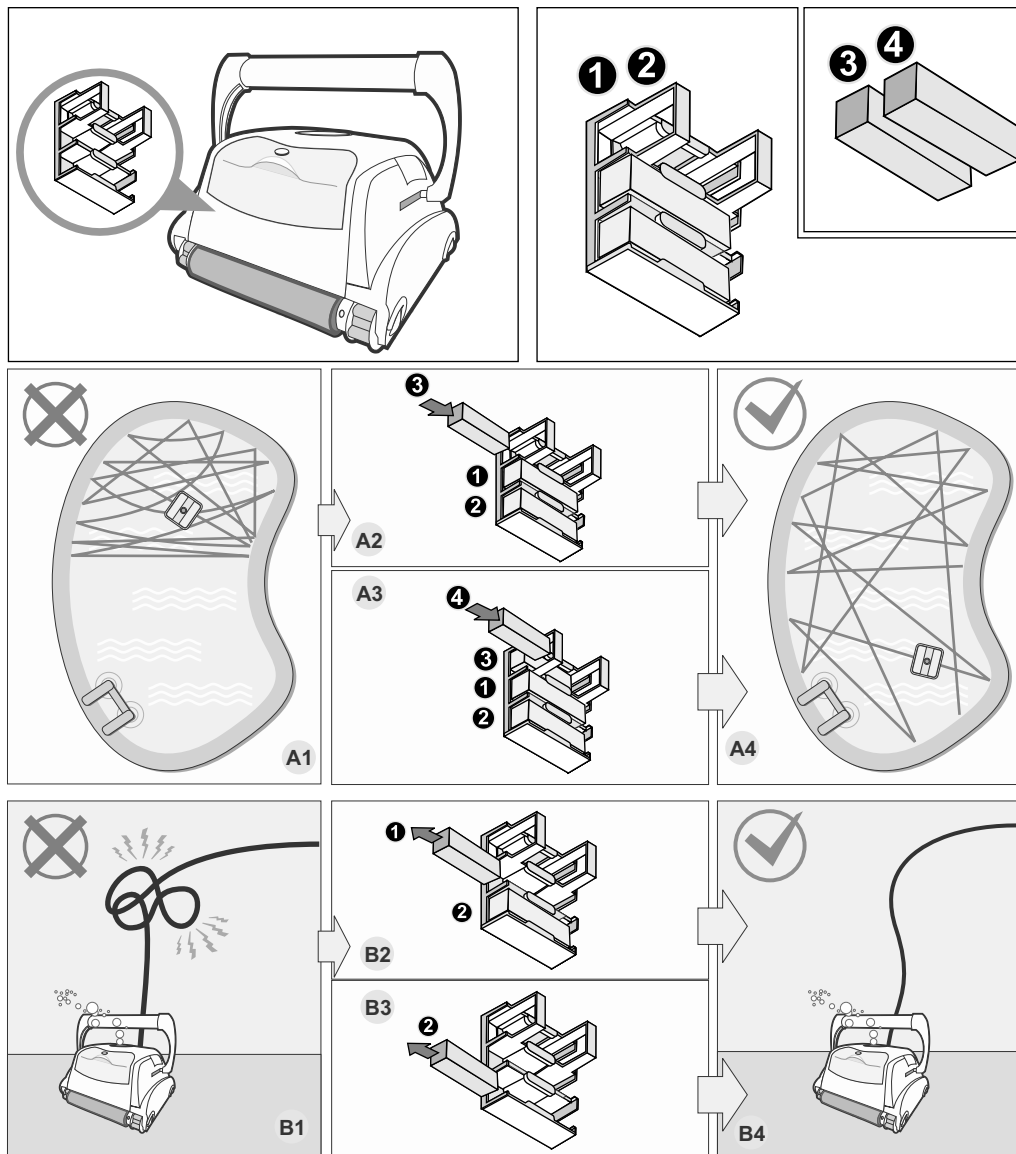
*Om elektrische schok te voorkomen, gebruik dit product niet als de losse kabel beschadigd lijkt te zijn.

Czech:

Aby se zabránilo úrazu elektrickým proudem, výrobek nepoužívejte, pokud je pohyblivý kabel poškozen.

Slovak:

Aby sa zabránilo úrazu elektrickým prúdom, výrobok nepoužívajte, ak je pohyblivý kábel poškodený.



Contents

Safety

Introduction

- System Overview
- How the Robotic Cleaner Cleans Your Pool
- Operating Conditions

Components

- Cleaner And The Main Parts
- Power and Control Unit

Operation

- Before First Use
- Placing Cleaner Unit into the Water
- Starting the Robotic Cleaner
- Cleaning Cycle
- Stopping Robotic Cleaner Operation
- Pulling Cleaner Unit out of the Water

Maintenance

- Cleaning Filters
- Storing the Robotic Cleaner
- Checking Water Outlet Propeller

Robotic Cleaner Programming

- Control Panel - Buttons and Indicators
- Overlay Buttons
- Using an External timer

Troubleshooting

Remote Control

- Remote Control Overview
- Using the Remote Control

Caddy (optional)

- Overview
- Assembling the Caddy
- Loading the Robotic Cleaner on the Caddy

Trolley (optional)

- Overview
- Assembling the Trolley

IMPORTANT SAFETY INSTRUCTIONS READ AND FOLLOW ALL THE INSTRUCTIONS

CAUTION: Do not plug the power supply into a grounded outlet or do not switch the pool cleaner "ON" if it is not fully immersed in water. Operating the cleaner out of water will cause severe damage immediately and will result in loss of warranty.

Allow the cleaner to remain in the pool for 15 to 20 minutes following the end of its cleaning cycle. This will allow the motors to cool adequately. Do not leave the cleaner in the pool all the time. Always remember to turn the power supply "OFF" and unplug it from the power outlet before removing the cleaner from the pool.

WARNING: The cleaner must not be used when people are in the water. For use with swimming pool only

Safety Note

- The unit must be supplied through a residual current device (RCD) having a rated residual operating current not exceeding 30 mA
- The connection to the branch circuit should be consistent with the local and national wiring rules (electrical code).
- Mishandling of the unit can result in leakage of lubricants.
- If the supply cord is damaged, it must be replaced by the manufacturer's service agent or a qualified and trained person in order to avoid hazards.



This appliance is not intended for use by persons (including children) with reduced physical, sensory or mental capabilities, or lack of experience and knowledge, unless they have been given supervision or instruction concerning use of the appliance by a person responsible for their safety. Children should be supervised to ensure that they do not play with the appliance.



WARNING: A Ground Fault Current Interrupter (GFCI-USA) or a Residual Current Device (RCD-EUROPE) must be installed to protect your electric outlet and prevent any possible electric shock.

SAVE THESE INSTRUCTIONS

Introduction

System Overview

The robotic cleaner sweeps the pool floor and walls to collect dirt and debris into its internal filters. This user manual explains how to operate the robotic cleaner, including cleaning, maintenance and storage procedures.

Note:

This manual reviews several robotic cleaner models. There are some variations in components according to specific model.

How the Robotic Cleaner Cleans Your Pool

After the robotic cleaner is placed in the pool and activated, it operates according to the program set via the power and control unit. The robotic cleaner moves along the floor and walls of the pool, covering the entire area of the pool floor and walls. When the robotic cleaner has finished its program, it remains inactive on the pool floor.

Note:

Wall climbing is an optional feature. When the wall climbing feature is enabled, the robotic cleaner climbs the wall at intervals according to its internal program. The robotic cleaner ability to climb over stairs in swimming pool is subject to stair geometry and material.

Operating Conditions

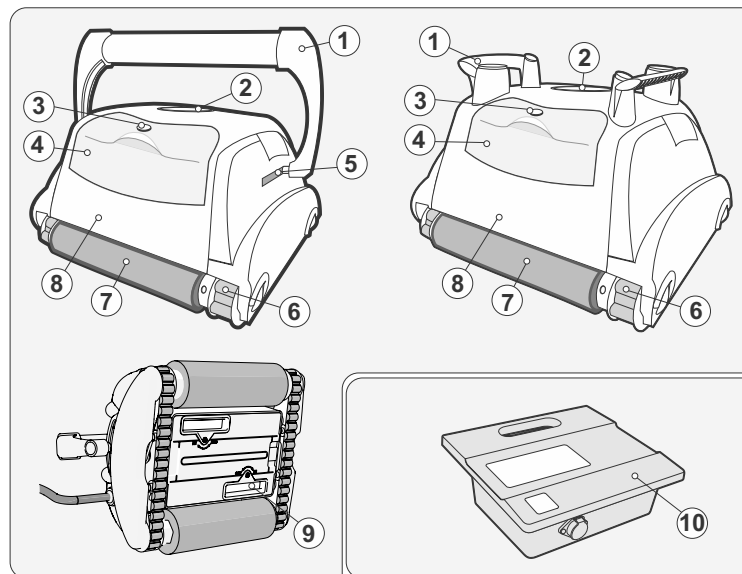
The robotic cleaner is intended for use in swimming pools in the following conditions:

- Temperatures ranging from 13°C-35°C (55°F-95°F), recommended temperature is between 22°C-32°C (72°F-90°F).
- Water pH: 7.2-7.6
- Chlorine level: pool is maintained according to the pool manufacturer's instructions. (recommended 2-4 ppm)

Note:

Failure to maintain the pool according to the recommended operating conditions could prevent the robotic cleaner from functioning properly. Remove the cleaner out of water when performing "Chemical Shock Treatment" to the pool water.

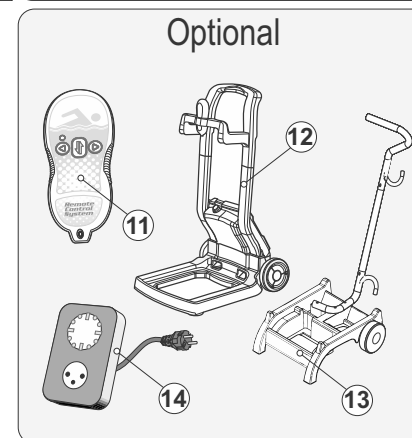
Components



- 1) Handle
- 2) Outlet Top
- 3) Filter Lock Release
- 4) Filter Top Access
- 5) Handle Lock Mechanism
- 6) Drive Track
- 7) Scrubbing Brush
- 8) Unit Body
- 9) Water Inlet
- 10) Power Supply

OPTIONAL

- 11) Remote Control
- 12) "Trolley" Cart
- 13) "Caddy" Cart
- 14) Timer (purchased separately)



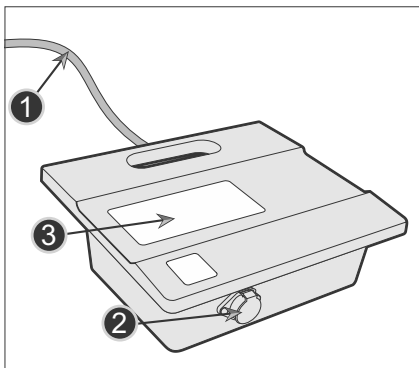
Components

Power and Control Unit

The power and control unit is connected to the robotic cleaner via the floating cable.

The unit is powered by AC power (1) and supplies low voltage and commands to the cleaner unit through the outlet socket (2).

The unit features a control panel (3) with various controls to operate the robotic cleaner.



Contents of Packing Box

The robotic cleaner is packed in a box containing:

- Robotic cleaner and floating cable
- Power and control unit
- User manual

According to the model purchased, the following accessories may be included in the package:

- Remote Control
- Caddy
- Trolley
- Additional Accessories

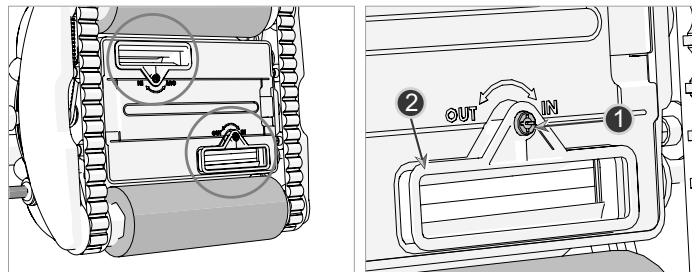
Operation

Before First Use

Adjusting Suction Height: Positioning the suction inlet (2) close to the pool surface increases the suction power and the cleaning quality. Lowering the suction inlet could result in interference with obstacles on the swimming pool floor or walls.

Use a screw driver to adjust the suction inlet position knob (1).

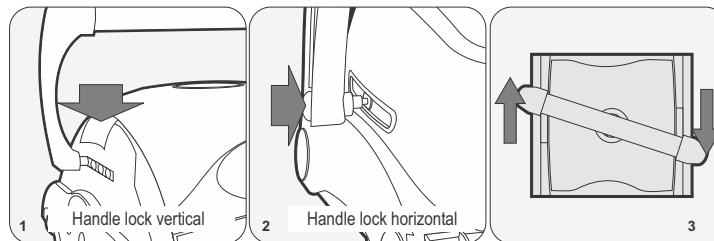
- IN – pulls the suction inlet away from the pool surface and reduces the suction power.
- OUT – brings the suction inlet closer to the pool surface and increases the suction power.



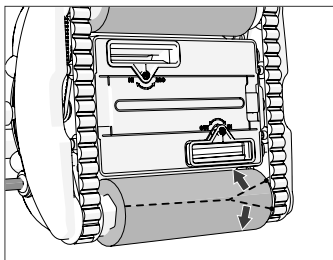
Adjusting Floating Handle

On wall climbing models, set the floating handle:

1. Press the lock button (1 or 2 according to the model) to release the handle lock.
2. Place the handle (3) diagonally at maximum position.
3. Repeat steps 1 and 2 on the other side of the cleaner unit.



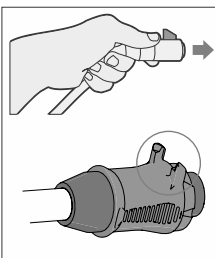
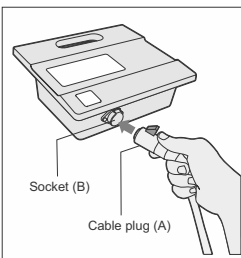
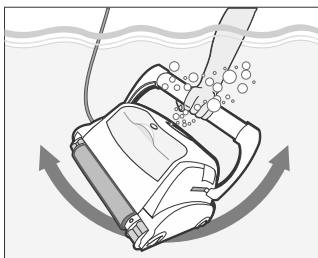
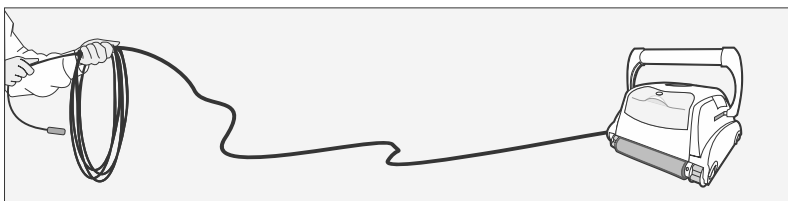
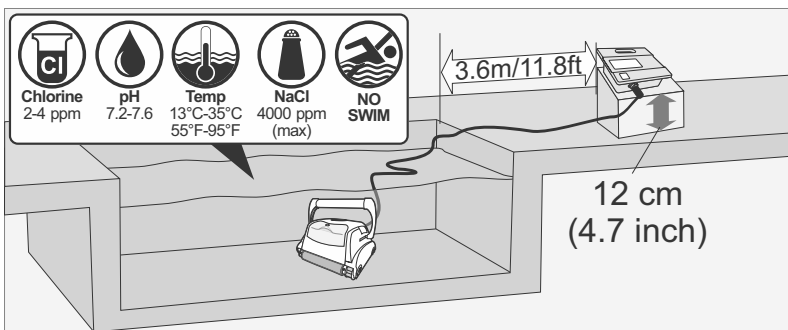
Operation



Removing Brush Covers

The robotic cleaner is shipped with a protective cover over the scrubbing brushes. Carefully remove the nylon covers from the scrubbing brushes.

CAUTION: Do not use a sharp tool to remove the cover as it could harm the brushes.



Placing the Power and Control Unit

4. Place the power and control unit at least 3.6 meters/11.8 feet from the pool and at least 12 cm/4 inches above the surface.

CAUTION: The power and control unit must not be exposed to water or to direct sunlight.

5. Release floating cable plastic ties, which are used to secure the cables during shipping, by pressing plastic snap on the tie.

Before placing the cleaner unit in the water

1. Make sure there are no people in the pool.
2. Make sure that the filters are clean.
3. Make sure the pool conditions are met; (see “Operating Conditions”).

Placing Cleaner Unit into the Water

1. Unroll the floating cable. It is recommended to extend a length of cable that is equal to the pool diagonal size plus an additional two meters.
2. Place the cleaner unit in the pool.
3. Let the robotic cleaner sink to the bottom of the pool.
Do not start operation before the robotic cleaner is settled on the pool floor.
4. Spread the floating cable across the pool. Make sure that only the required length of cable is spread across the pool. Smooth out coils or twists in the cable. Roll extra cable outside the pool near the power and control unit.
5. Connect the floating cable (A) to the socket (B) located on the power and control unit.

CAUTION: Operating the cleaner out of water causes immediate severe damage and results in loss of warranty.

Operation

Starting the Robotic Cleaner

Connect the power and control unit to the wall socket (1). The Operation LED is lit (4) and the robotic cleaner starts its cleaning program.

If the power and control unit is already connected to the AC socket, the Operation LED flashes (5) to indicate that the robotic cleaner is in standby mode.

Press the Operation button (6). The Operation LED turns on (6) and the robotic cleaner starts the cleaning program.

Note: When the Check Filter LED (3) (optional in some models.) is lit, the robotic cleaner filters must be cleaned before placing the cleaner unit in the pool.

Cleaning Cycle

During the cleaning cycle, the robotic cleaner:

- Moves across the pool floor picking up dirt and debris.
- Changes direction and rotates automatically according to the selected program
- Climbs the pool walls every few minutes, as set in its internal program.

Note: The robotic cleaner might occasionally stop moving for a few seconds. This is part of normal operation, not a malfunction.

Stopping Robotic Cleaner Operation

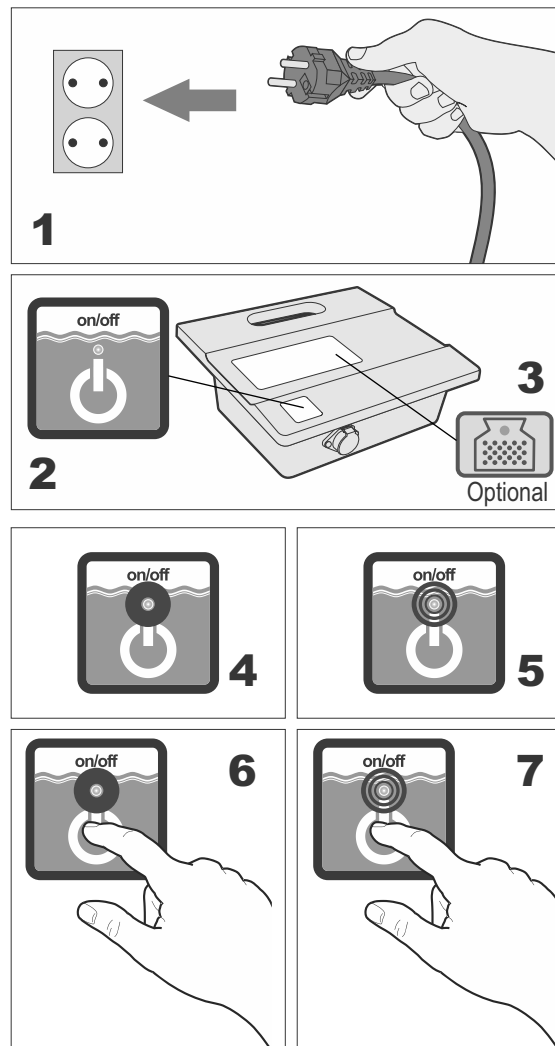
The robotic cleaner moves automatically to STANDBY after every cleaning cycle and the operation LED starts flashing (5).

To stop the cleaner operation during a cleaning cycle, press the operation button (7) once. The operation LED starts flashing (7) and the cleaner is in standby mode.

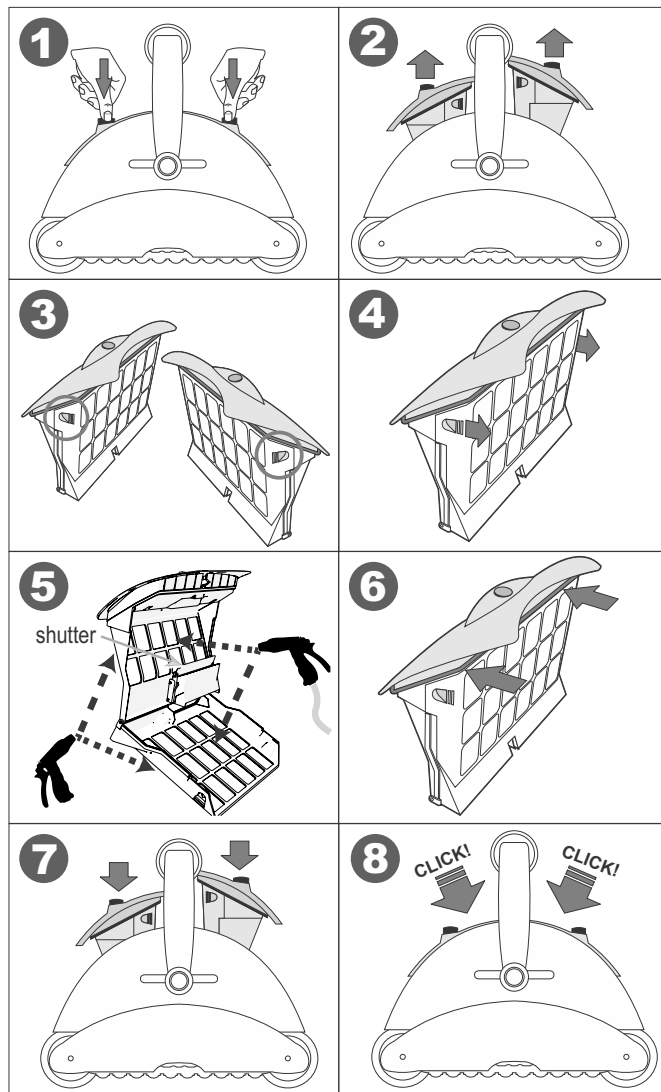
Pulling Cleaner Unit out of the Water

1. Unplug the floating cable from the power and control unit.
2. Pull up on the floating cable to pull the cleaner unit closer until it is possible to take hold of the handle.
3. Using the handle, lift the cleaner unit out of the pool.

CAUTION: Do not use the floating cable to lift the cleaner unit out of the water.



Maintenance



Cleaning the Filters

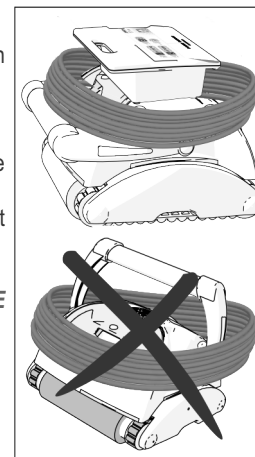
The two filters must be cleaned after each cleaning cycle.

1. Release the filter and pull it out of the cleaner unit. (1), (2)
2. Pull the filter door against the filter housing to open the filter case. (3), (4)
3. Spray water on the outer sides of the filter and then spray water towards the inner side of the filter to clean all the dirt and debris. (5)
4. Verify that the small plastic shutter (2) is in place and not broken, then close the filter. (6)
5. Insert the filter back into its location until a click is heard to secure the filter in place. (7), (8)

Storing the Robotic Cleaner

Follow these instructions to store the robotic cleaner when not in use:

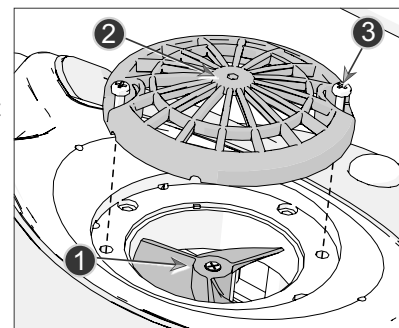
1. Disconnect the power cord from the wall outlet.
2. Disconnect the floating cable from the power and control unit.
3. Spread out the floating cable and release any twists in the cable.
4. Wash the cleaner unit interior space with fresh water and let it dry.
5. Roll the floating cable and place it ON THE CLEANER unit.
Caution: DO NOT ROLL the floating cable ON THE HANDLE of the cleaner unit.
6. Store the robotic cleaner components in a dry, closed location.
7. Verify that the power and control unit is not exposed to water.



Checking Water Outlet Propeller

It is recommended to periodically clean debris and hair from the propeller of the water outlet:

1. Remove the screws (3) that holds water outlet cover (2).
2. Remove the water outlet cover (2).
3. Clean any hairs, dirt, or debris.
4. Verify that the propeller (1) is not broken.
5. Return the cover (2) and fasten it with the screws (3).



This chapter reviews the programming options. Skip this chapter if your model is not programmable or if the robotic cleaner is already programmed.

Aquacontrol

check filter
chèque filtre
filter überprüfen
controllare il sacchetto filtrante
revise el filtro

cleaning time
temps de nettoyage
reinjigungszeit
tempo di pulizia
tiempo de limpieza

SPS 100

Aquacontrol

Cleaning program
Mode nettoyage
Programa de limpeza
Reinigungsprogramm
Programma di pulizia
Programa de limpeza

Internal timer
Minuterie interne
Temporizador interno
Interne Zeitschaltuhr
Timer interno
Temporizador interno

Check filter
Vérifiez le filtre
Revise el filtro
Filter überprüfen
Controllare il sacchetto filtrante
Verifique o Filtro

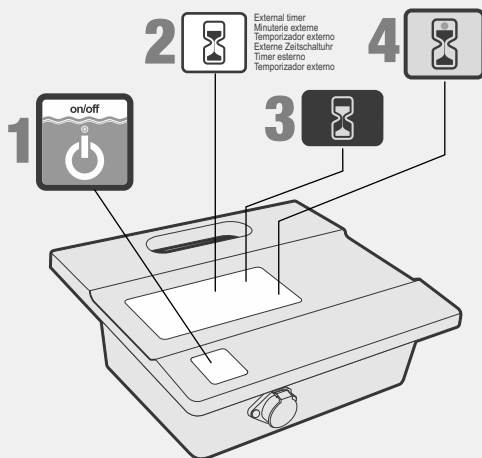
External timer
Minuterie externe
Temporizador externo
Externe Zeitschaltuhr
Timer externo
Temporizador externo

PROGRAM 03 96h

PROGRAM 02 72h

PROGRAM 01 48h

SPS 200



Control Panel

The control panel consists of:

- On/Off power (1) – starts and stops the robotic cleaner operation.
- Function description (2) – describes the function
- Control buttons (3) – dark blue, enables selecting relevant function.
- Status display (4) – indication LED lit to display the selected option or the cleaner state.

Aquacontrol

Swivel
Pivot
Drehlager
Manopola di disattorcigliamento
Swivel

Cleaning program
Mode nettoyage
Programa de limpeza
Reinigungsprogramm
Programma di pulizia
Programa de limpeza

Internal timer
Minuterie interne
Temporizador interno
Interne Zeitschaltuhr
Timer interno
Temporizador interno

Check filter
Vérifiez le filtre
Revise el filtro
Filter überprüfen
Controllare il sacchetto filtrante
Verifique o Filtro

External timer
Minuterie externe
Temporizador externo
Externe Zeitschaltuhr
Timer externo
Temporizador externo

PROGRAM 03 96h

PROGRAM 02 72h

PROGRAM 01 48h

SPS 300

Aquacontrol

Auto detect
Auto detection
Auto detección
Automatische Erkennung
Auto diagnosi
Detección automática

Swivel
Pivot
Drehlager
Manopola di disattorcigliamento
Swivel

Internal timer
Minuterie interne
Temporizador interno
Interne Zeitschaltuhr
Timer interno
Temporizador interno

External timer
Minuterie externe
Temporizador externo
Externe Zeitschaltuhr
Timer externo
Temporizador externo

Pool shape
Forme de piscine
Forma da piscina
Beckenform
Forma piscina
Forma da piscina

Cleaning program
Mode nettoyage
Programa de limpeza
Reinigungsprogramm
Programma di pulizia
Programa de limpeza

Check filter
Vérifiez le filtre
Revise el filtro
Filter überprüfen
Controllare il sacchetto filtrante
Verifique o Filtro

HIGH

NORMAL

PROGRAM 03 96h

PROGRAM 02 72h

PROGRAM 01 48h

SPS 400

Aquacontrol

Auto detect
Auto detection
Auto detección
Automatische Erkennung
Auto diagnosi
Detección automática

Swivel
Pivot
Drehlager
Manopola di disattorcigliamento
Swivel

Cleaning Level
Niveau de Nettoyage
Nível de Limpeza
Reinigungsstufe
Programma di pulizia
Nível de Limpeza

Delay
Retard
Retrasar
Ritardo
Atasar

Pool shape
Forme de piscine
Forma da piscina
Beckenform
Forma piscina
Forma da piscina

Cleaning program
Mode nettoyage
Programa de limpeza
Reinigungsprogramm
Programma di pulizia
Programa de limpeza

Check filter
Vérifiez le filtre
Revise el filtro
Filter überprüfen
Controllare il sacchetto filtrante
Verifique o Filtro

HIGH

NORMAL

PROGRAM 03

PROGRAM 02

PROGRAM 01

SPS 500

Model

Overlay buttons

100/200
300/400
500



Check filter

- Illuminated light means the filter bag must be removed, cleaned and properly installed back into the robot to work efficiently.
In Models 300, 400, 500 - the robotic cleaner will stop climbing on the walls once the Check Filter is illuminated

100



Cleaning time

- time duration spent cleaning the pool.
Press the button to select the desired time. A red light will indicate your selection.
This feature can only be selected when the Power supply is in standby mode

200
300/400



Internal timer - Automatic operation option:

Every 48 hours
Every 72 hours
Every 96 hours

200/300



Cleaning program selection:

Program 01 – 1 hour floor and wall cleaning
Program 02 – 1.5 hour floor and wall cleaning.
Program 03 – 2 hour floor and wall cleaning.

400



Cleaning program selection:

Program 01 – 1.5 hour floor only cleaning program
Program 02 – 2 hour floor and wall cleaning.
Program 03 – 2.5 hour floor and wall cleaning.

500



Cleaning program selection.

Program 01 – 2 hour floor only cleaning program
Program 02 – 4 hour floor and wall cleaning. (on certain models wall cleaning feature is not available)
Program 03 – 5 hour floor and wall cleaning. (on certain models wall cleaning feature is not available)

200
300/400



External timer

This feature gives the option to the end user to program the cleaning schedule through an external timer (sold separately). Pressing this button enables and disables this feature.

300/400
500



Swivel – adjust the robots rate of turns in the pool.

Normal – Standard operation
High – Different rate of turns

Model

Overlay buttons

400/500



Auto detect: this feature prevents the robot from getting stuck on obstacles in the pool such as main drains, steps, ladders etc. Press this button to choose one of the following options:



Auto-Detect - OFF. Choose this option if your pool has obstacles on the floor such as high drain. This will prevent the unit from changing direction upon hitting the obstacle.



Auto-Detect - ON. Choose this option if the pool floor is free of obstacles.

400/500



Pool shape:

Allows the robot to calculate the most efficient cleaning pattern for the pool shape chosen. Press the button to select the drawing most suitable to the shape of the pool. A red light will indicate your selection.

500



Cleaning level – Change the cleaning performance



Quick: Choose if your pool has small amount of dirt



Regular: Choose for daily maintenance



Thorough: Choose if your pool has large amount of dirt

500

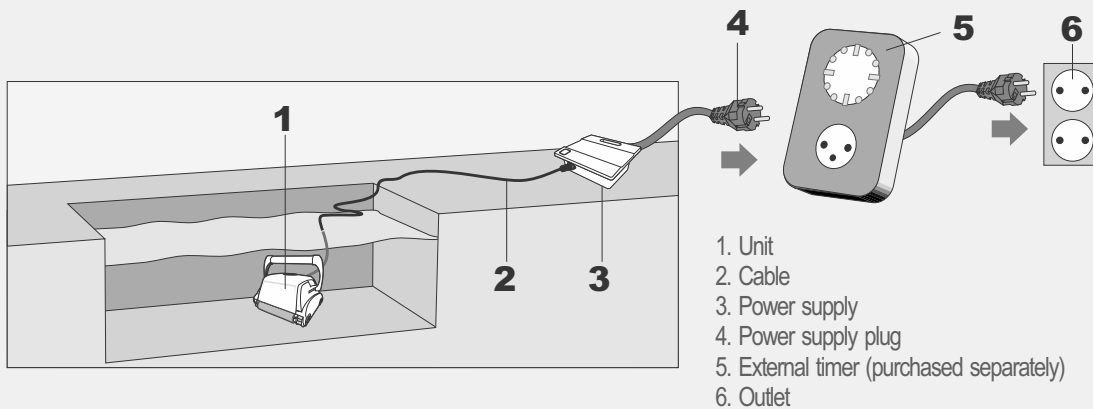


Delay

When this option is On, the robot will start to work after 2 hours of delay.

This feature is used to let debris and dust sink on the floor before starting the robot's cleaning.

External Timer



Using External Timer

(Optional, should be purchased separately)

An external timer can be used to automatically activate the Cleaner on pre-set time.

The external timer should be connected between the wall socket and the Power and Control unit

Troubleshooting

CLEANER DOES NOT TURN ON.

There is no electricity in the wall socket.

1. Disconnect cleaner from the power and control unit.
2. Disconnect power supply from the wall socket, wait 30 seconds and reconnect.
3. Turn power ON. If not activated, connect the unit to a different wall socket.

Floating cable not connected properly to the power and control unit.

Reconnect the floating cable to the power and control unit.

Obstacle in the drive system of the cleaner unit.

1. Turn the cleaner unit carefully to view the underside.
2. Rotate the tracks and scrubbing brushes by hand. It should rotate but it should not rotate freely.
3. Clean and remove obstacles and debris if necessary.

Propeller is seized due to accumulation of hair.

Check if the propeller is broken or needs to be cleaned (see “Checking Water Outlet Propeller”).

CLEANER MOVES BUT DOES NOT PUMP WATER.

Filters are dirty.

1. Remove the filters
2. Run the robotic cleaner in the pool without the filters. If working properly, clean the filters well or replace the filters.

Propeller is broken or seized due to accumulation of hair.

Check if the propeller is broken or needs cleaning (see “Checking Water Outlet Propeller”).

CLEANER PUMPS WATER BUT DOES NOT MOVE.

Obstacle in the drive system of the cleaner unit.

1. Turn the cleaner unit carefully to view the underside.
2. Rotate the tracks and scrubbing brushes by hand. It should rotate but it should not rotate freely.
3. Clean and remove obstacles and debris if necessary.

CLEANER STARTS AND SHUTS OFF AFTER A SHORT TIME.

Filters are dirty.

1. Remove the filters.
2. Run the robotic cleaner without the filters. If working properly, clean the filters well or replace the filters..

Propeller is broken or seized due to accumulation of hair.

1. Remove the top screws on the top outlet.
2. Check if the propeller is broken or needs to be cleaned.

Obstacle in the drive system of the cleaner unit.

1. Turn the cleaner unit carefully to view the underside.
2. Rotate the tracks and scrubbing brushes by hand. It should rotate but it should not rotate freely.
3. Clean and remove obstacles and debris if necessary.

CLEANER DOES NOT PICK UP DIRT.

Filters are dirty or have holes.

Clean as needed and verify that there are no holes in the filters.

Propeller is broken or seized due to accumulation of hair.

Check if the propeller is broken or needs cleaning (see “Checking Water Outlet Propeller”).

The suction inlet is not close enough to the pool floor.

Move the suction inlet OUT (see “Adjusting Suction Height”).

DIRT COMES OUT OF THE CLEANER WHEN REMOVING IT FROM POOL.

Filter shutter is broken or missing.

Open the filters and verify that the filter shutter is not broken and functions properly (see “Cleaning Filters”).

Holes in the filters.

Open the filters and verify that there are no holes in the filter screens (see “Cleaning Filters”).

Bottom lid is not properly closed.

Make sure that the bottom lid is properly closed.

Troubleshooting

CLEANER UNIT DOES NOT COVER THE ENTIRE POOL.

Filters are dirty.

Clean the filters.

There is not enough length of the floating cable in the water to reach the far end of the pool, or the cable is tangled.

1. Verify that there is enough length of the floating cable in the water to reach the far end of the pool.
2. Make sure that the floating cable is properly spread out and is not tangled.

The angle of the floating handle affects the cleaner movement.

Increase diagonal angle of the floating handle (see “Adjusting Floating Handle”).

Pool pH level is incorrect.

Make sure that the pH level is between 7.2 and 7.6.

Chlorine level is incorrect.

Check water chlorine treatment and correct if required (Remove the cleaner from the pool during the treatment.)

Propeller is broken or seized due to accumulation of hair.

1. Remove the top screws on the top outlet.
2. Check if the propeller is broken or needs cleaning.

Obstacle in the drive system of the cleaner unit.

1. Turn the cleaner unit carefully to view the underside.
2. Rotate the tracks and scrubbing brushes by hand. It should rotate but it should not rotate freely.
3. Clean and remove obstacles and debris if necessary.

THE CLEANER DOES NOT CLIMB WALLS.

The cleaner is not climbing the pool walls.

1. Verify that your robotic cleaner is not a floor-only model.
2. Verify that P1, floor cleaning only, is not selected on the power and control unit (see “Robotic Cleaner Programming”).

Filters are dirty.

Clean the filters.

Propeller is broken or seized due to accumulation of hair.

Check if the propeller is broken or needs cleaning (see “Checking Water Outlet Propeller”).

pH level is incorrect.

Make sure that pH is between 7.2 and 7.6.

Chlorine level is incorrect.

Check water chlorine treatment (remove the cleaner from the pool during treatment).

Water temperature is not optimal.

Recommended temperature is between 22°C–32°C (72°F–90°F).

THE CABLE IS TANGLED.

Filters are dirty.

Clean the filters.

Bottom lid is not properly closed.

Make sure that the bottom lid is properly closed.

Cable is not spread out before putting the cleaner unit into the pool.

Make sure that the floating cable is properly spread out and not tangled before operating the robotic cleaner.

The length of the cable in the water is too long.

Verify that the length of cable in the water equal to the pool diagonal length plus two meters.

Propeller is broken or seized due to accumulation of hair.

Check if the propeller is broken or needs cleaning (see “Checking Water Outlet Propeller”).

REMOTE CONTROL DOES NOT WORK.

The battery is empty. The LED is blinking or OFF.

Check the battery by pressing one of the buttons. The red light on the remote control unit does not blink or stay lit continuously if the battery is empty. Contact your dealer or service center.

Remote Control (optional)

This chapter reviews the operation of the optional remote control unit. The remote control is included in some models.

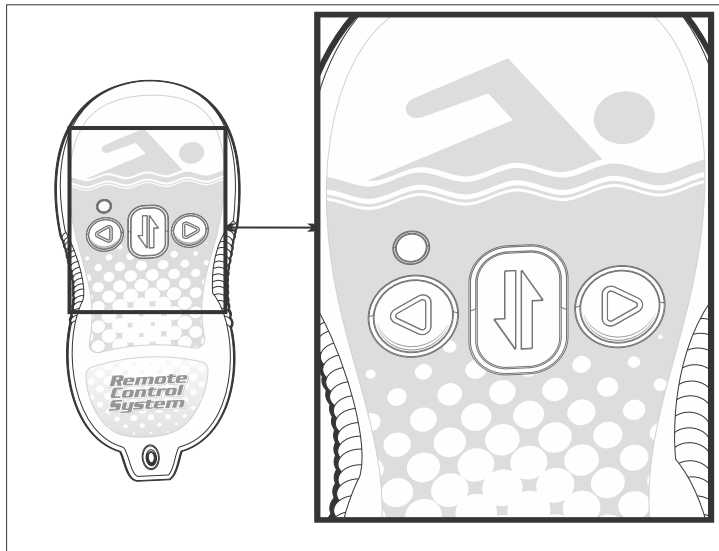
Remote Control Overview

The remote control is an optional feature that enables controlling the robotic cleaner via remote command buttons. When pressing the remote control buttons, radio signal is transmitted to the power and control unit. This signal is transferred into a command sent to the robotic cleaner via the floating cable.

Using the Remote Control

1. Press the right button (3) to turn the robotic cleaner right. The robotic cleaner continues turning to the right until the button is released.
2. Press the left button (1) to turn the robotic cleaner left. The robotic cleaner continues turning to the left until the button is released.
3. Press the Forward/Reverse button (2) to stop the robotic cleaner and change its direction of movement.

The remote control LED is lit after each command. If the LED does not respond or flashing, replace the battery.



Caddy (optional)

The caddy is an optional accessory that makes it easy to move the robotic cleaner, floating cable and the power and control unit from place to place.

Assembling the Caddy

To assemble the caddy, you need a standard screwdriver and a 8 mm wrench.

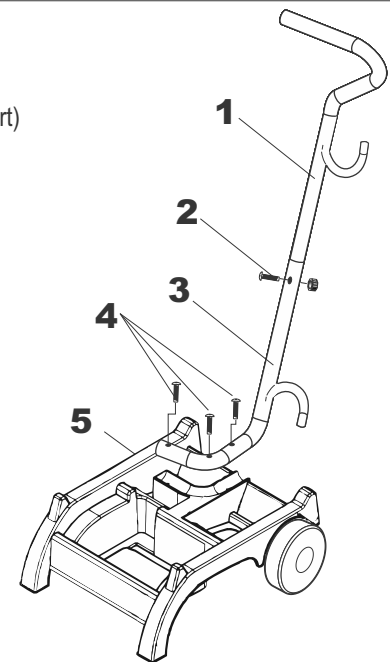
Connecting the Caddy Handle

1. Fasten the handle bottom part (3) to the caddy frame (5) with the three screws (4) and nuts.
2. Connect the handle top part (1) to the handle bottom part (3) using screw (2) and nut.

Loading the Robotic Cleaner on the Caddy

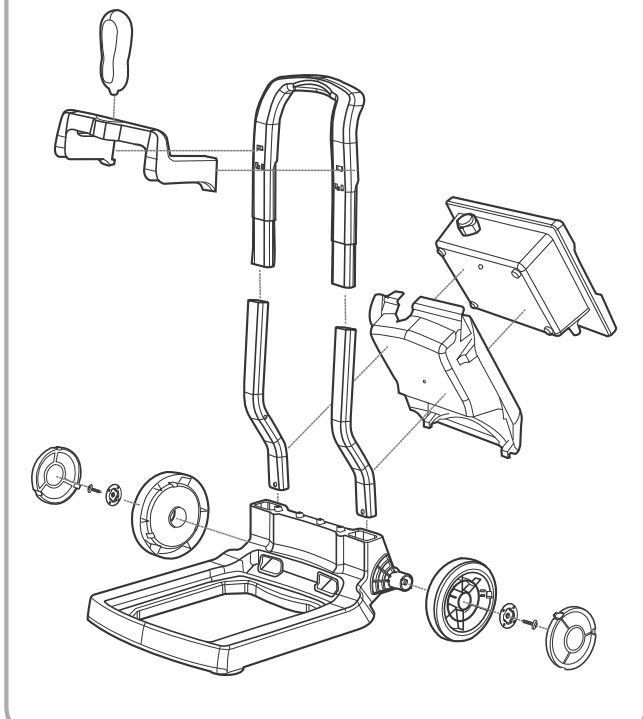
1. Place the cleaner unit on the caddy base.
2. Coil the floating cable and place it on the cleaner unit.
3. Place the power and control unit on top of the floating cable coil.

1. Handle (Top Part)
2. Handle Screws
3. Handle (Bottom Part)
4. Frame screws
5. Caddy Frame

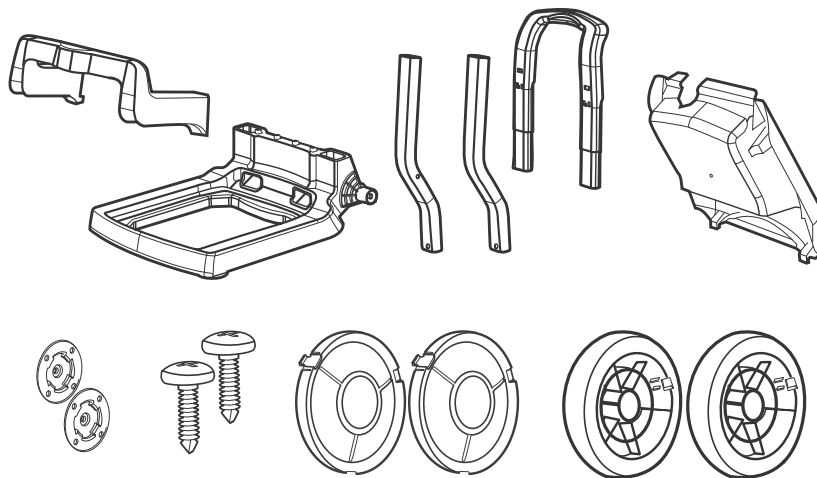


Trolley (optional)

Assembly Diagram



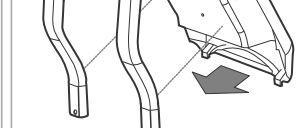
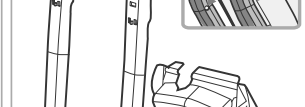
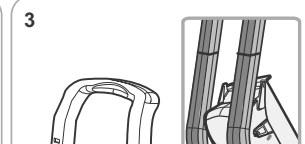
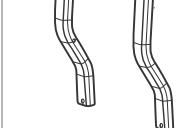
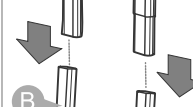
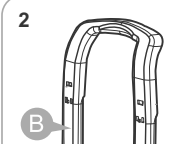
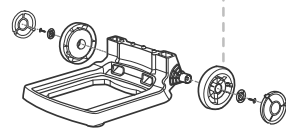
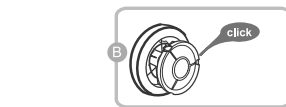
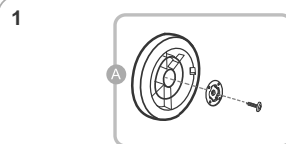
Parts



The trolley is an optional accessory that makes it easy to move the robotic cleaner and provides a mounting site for the power and control unit.

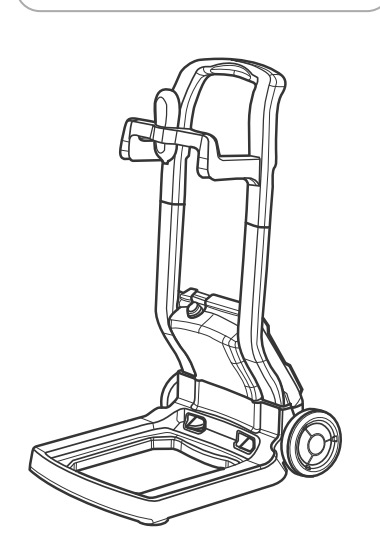
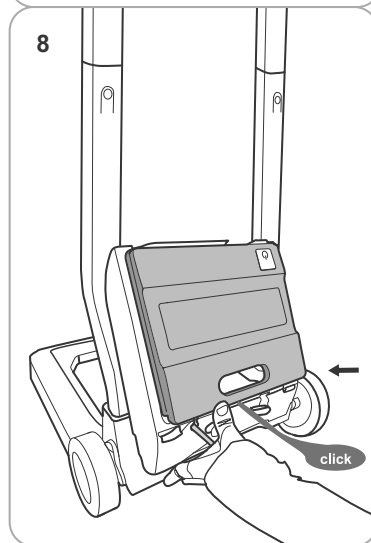
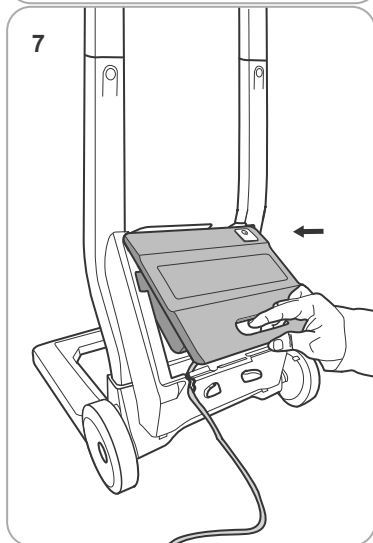
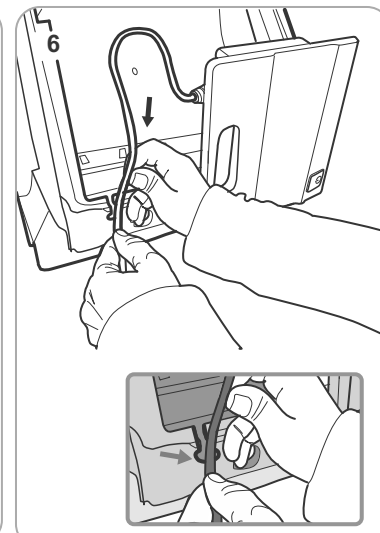
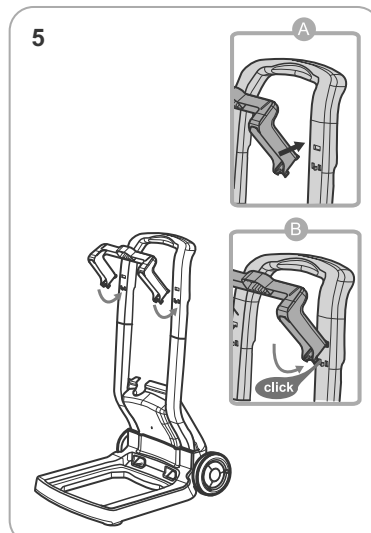
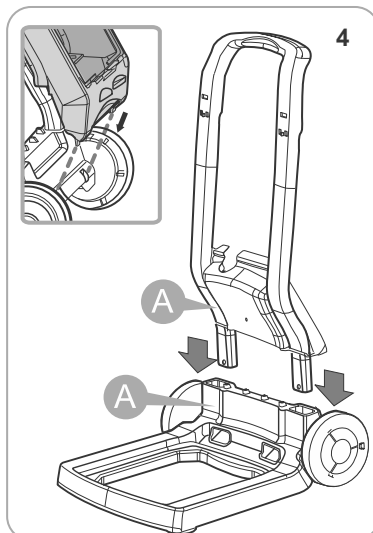
To assemble the trolley:

1. Attach the wheels to both sides of the trolley base and fasten each wheel with the screw and install the cover.
2. Assemble the two sections of the handle.
3. Attach the power and control unit housing by clicking the upper tabs into the holes in the handle.



Trolley (optional)

4. Insert the handle into the trolley base. Click the lower tabs of the power and control unit housing into the trolley base.
5. Attach the remote control holder by inserting the upper part into the trolley handle and turning the holder downward until the lower part clicks.
6. Attach the cable of the power supply
7. Place the power and control unit in the housing and push the lower part downward until it clicks into the trolley base.
8. Place the upper part of the power and control unit in the housing and push the lower part downward until it clicks into the trolley base.



Contenu

Consignes De Sécurité

Introduction

- Présentation du système
- Comment le robot nettoyeur débarrasse votre piscine des saletés
- Conditions d'utilisation

Composants

- Robot nettoyeur
- Module de commande et d'alimentation
- Contenu de la caisse d'emballage

Fonctionnement

- Avant la première utilisation
- Placer le module de nettoyage dans l'eau
- Démarrage du robot nettoyeur
- Cycle de nettoyage
- Arrêter le robot nettoyeur
- Retirer le module de nettoyage de l'eau

Entretien et réglage

- Nettoyage des filtres
- Rangement du robot nettoyeur
- Vérification de la sortie d'eau de l'hélice

Panneau de commande

- Boutons superposés
- Minuterie Externe

Dépannage

Télécommande

- Présentation de la télécommande
- Utilisation de la télécommande

Caddy

- Montage du caddy
- Fixation de la poignée du caddy
- Chargement du robot nettoyeur sur le caddy

Chariot "Trolly"

- Monter le chariot

CONSIGNES DE SÉCURITÉ IMPORTANTES LIRE ET SUIVRE TOUTES LES INSTRUCTIONS

ATTENTION : Ne pas brancher le bloc d'alimentation à une prise de terre ou ne pas mettre le nettoyeur de piscine sur « MARCHÉ » s'il n'est pas totalement immergé dans l'eau. L'utilisation du nettoyeur hors de l'eau cause immédiatement de sérieux dégâts et se traduit par une perte de garantie.

Laisser le nettoyeur dans la piscine pendant 15 à 20 minutes à la fin de son cycle de nettoyage. Cela permettra aux moteurs de refroidir convenablement. Ne pas laisser le nettoyeur dans la piscine tout le temps. Rappelez-vous toujours de mettre l'alimentation sur « ARRÊT » et de débrancher la prise de courant avant de retirer le nettoyeur de la piscine.

AVERTISSEMENT : Le nettoyeur ne doit pas être utilisé lorsqu'il y a des gens dans l'eau. À utiliser dans une piscine uniquement

Note de sécurité

- L'appareil doit être alimenté par un dispositif différentiel à courant résiduel (DDR) ayant un fonctionnement nominal de courant résiduel ne dépassant pas 30 mA.
- Le raccordement au circuit de dérivation doit être compatible avec les règles de câblage locales et nationales (code de l'électricité).
- Une mauvaise manipulation de l'appareil peut entraîner des fuites de lubrifiants.
- Si le cordon d'alimentation est endommagé, il doit être remplacé par un agent de maintenance du fabricant ou une personne qualifiée et formée afin d'éviter les dangers.



Cet appareil n'est pas destiné à être utilisé par des personnes (y compris les enfants) dont les capacités physiques, sensorielles ou mentales sont réduites, ou qui manquent d'expérience et de connaissances, à moins qu'elles n'aient bénéficié de surveillance ou d'instructions concernant l'utilisation de l'appareil de la part d'une personne responsable de leur sécurité. Les enfants doivent être surveillés pour s'assurer qu'ils ne jouent pas avec l'appareil.



AVERTISSEMENT : un interrupteur de défaut à la terre (GFCI-USA) ou un dispositif différentiel à courant résiduel (DDR-Europe) doit être installé pour protéger votre prise électrique et éviter tout risque d'électrocution.

CONSERVEZ CES INSTRUCTIONS

Introduction

Présentation du système

Le robot nettoie le fond et les parois de la piscine pour collecter les impropriétés et les débris dans ses filtres internes. Le présent manuel explique comment faire fonctionner le robot nettoyeur, y compris les procédures de nettoyage, d'entretien et de stockage.

Remarque :

Le présent manuel passe en revue différents modèles de robots nettoyeurs. Les composants varient selon le type de modèle.

Comment le robot nettoyeur débarrasse votre piscine des saletés

Une fois placé dans la piscine et activé, le robot nettoyeur fonctionne selon le programme établi par le module de contrôle et d'alimentation. Il se déplace le long du fond et des parois de la piscine en couvrant toute la zone. Lorsque le robot nettoyeur a terminé son programme, il reste inactif au fond de la piscine.

Remarque :

L'escalade des parois est en option. Lorsque la fonction d'escalade des parois est activée, le robot nettoyeur effectue cette manœuvre par intervalles conformément à son programme interne. La capacité d'un robot nettoyeur à franchir des escaliers en piscine est soumise à la géométrie et au matériau de l'escalier.

Conditions d'utilisation

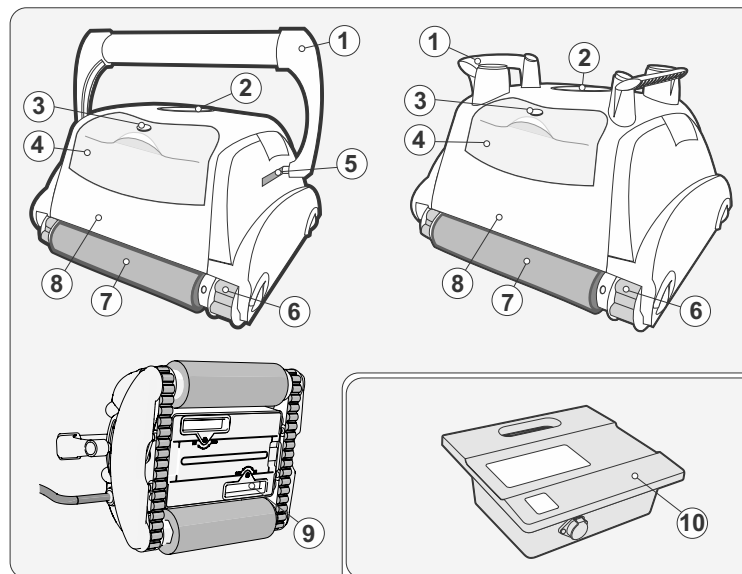
Le robot nettoyeur est conçu pour être utilisé dans les piscines dans les conditions suivantes :

- Températures comprises entre 13°C et 35°C (55°F et 95°F), la température recommandée étant comprise entre 22°C et 32°C (72°F et 90°F).
- pH de l'eau : compris entre 7,2 et 7,6
- Niveau de chlore : la piscine est maintenue selon les instructions du fabricant de la piscine.

Remarque :

L'entretien inadéquat de la piscine suivant les recommandations fournies sur les conditions de fonctionnement pourrait occasionner un mauvais fonctionnement du robot nettoyeur. Retirez le nettoyeur de l'eau lorsque vous réalisez un "traitement par choc chimique" à l'eau de la piscine.

Composants

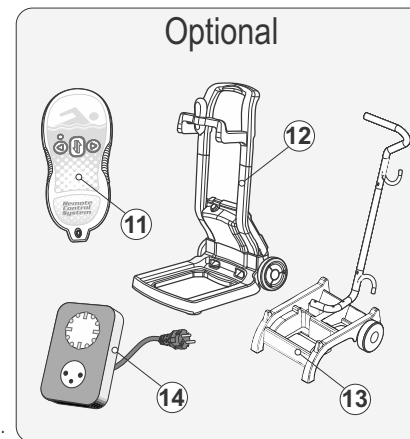


- 1) Manche
- 2) Partie supérieure de la sortie
- 3) Dispositif de déverrouillage du filtre
- 4) Accès à la partie supérieure du filtre
- 5) Poignée du dispositif de verrouillage
- 6) Bande d'entraînement
- 7) Brosse à récurer
- 8) Corps de l'appareil

- 9) Admission d'eau
- 10) Module d'alimentation

OPTIONAL

- 11) Télécommande
- 12) "Trolley"
- 13) "Caddy"
- 14) Minuteur externe (fourni séparément).

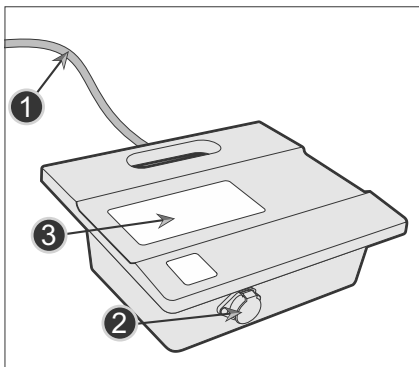


Composants

Module de commande et d'alimentation

Le module de commande et d'alimentation est relié au robot nettoyeur via le câble flottant. L'appareil est alimenté par secteur (1) et produit du courant à basse tension et envoie des commandes au module de nettoyage à travers la prise de courant (2).

Le module dispose d'un panneau de commande (3) avec diverses commandes pour faire fonctionner le robot nettoyeur.



Contenu de la caisse d'emballage

Le robot nettoyeur est emballé dans une boîte contenant :

- Robot nettoyeur et câble flottant
- Module de commande et d'alimentation
- Mode d'emploi

Selon le modèle acheté, les accessoires suivants peuvent être inclus dans l'emballage :

- Télécommande
- Caddy
- Chariot
- Accessoires supplémentaires

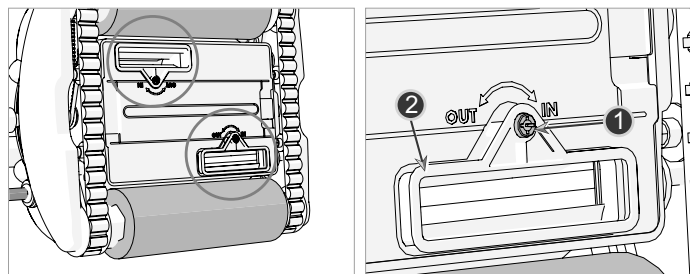
Fonctionnement

Avant la première utilisation

Réglage de la hauteur d'aspiration Le positionnement de l'admission de l'aspiration (2) à proximité de la surface de la piscine augmente la puissance d'aspiration et la qualité du nettoyage. L'abaissement de l'admission d'aspiration peut causer des interférences avec les obstacles sur le fond de la piscine ou sur les parois de la piscine.

Utilisez un tournevis pour régler le bouton de position d'admission d'aspiration (1).

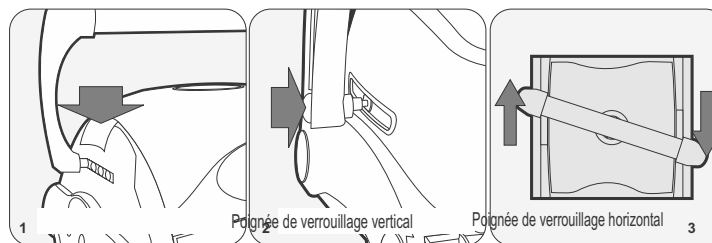
- IN – éloigne l'admission d'aspiration de la surface de la piscine et réduit la puissance d'aspiration.
- OUT – rapproche l'admission d'aspiration de la surface de la piscine et augmente la puissance d'aspiration.



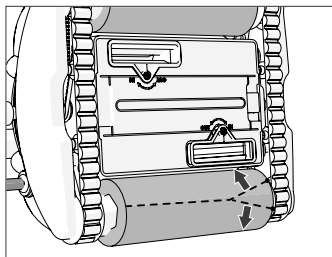
Réglage de la poignée flottante

Sur les modèles qui escaladent les parois, réglez la poignée flottante comme suit :

1. Appuyez sur le bouton de verrouillage (1 ou 2 selon le modèle) pour déverrouiller la poignée.
2. Placez la poignée (3) en diagonale à la position maximale.
3. Répétez les étapes 1 et 2 de l'autre côté du module de nettoyage.



Fonctionnement

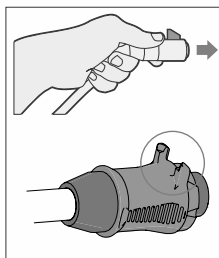
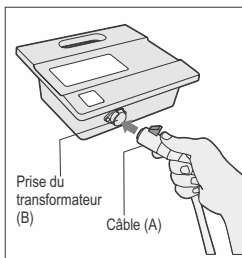
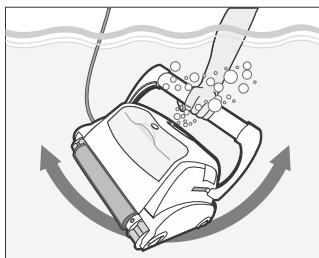
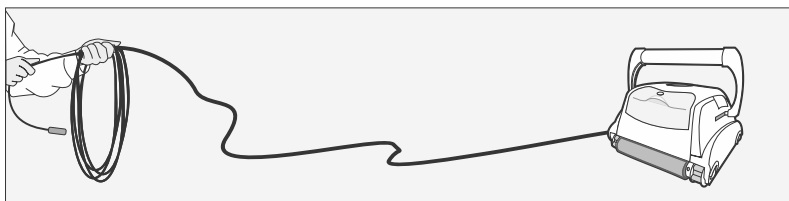
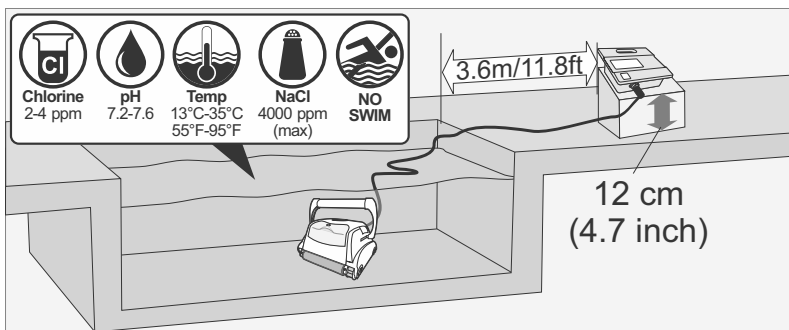


Retirez les couvercles des brosses

Le robot nettoyeur est livré avec un couvercle de protection sur les brosses à récurage. Retirez délicatement les couvercles de nylon des brosses à récurage.

MISE EN GARDE

N'utilisez pas un outil pointu pour retirer le couvercle car il pourrait endommager les brosses.



Placer le module d'alimentation et de contrôle

- Placez le module de commande et d'alimentation à 3,6 mètres (11,8 pieds) au moins de la piscine et à 12 cm (4 pouces) au moins au-dessus de la surface.

MISE EN GARDE: Le module de commande et d'alimentation ne doit pas être exposé à l'eau ou directement aux rayons du soleil.

- Défaitez les attaches en plastique des câbles flottants, qui sont utilisées pour fixer les câbles pendant le transport, en appuyant sur le fermoir plastique de l'attache.

Avant de placer le module de nettoyage dans la piscine

- Assurez-vous qu'il n'y a personne dans la piscine.
- Assurez-vous que les filtres sont propres.
- Assurez-vous que les conditions de la piscine sont remplies ; (Voir la rubrique « Conditions de fonctionnement »).

Placer le module de nettoyage dans l'eau

- Déroulez le câble flottant. Il est recommandé d'étendre une longueur de câble égale à la diagonale de la piscine, plus deux mètres supplémentaires.
- Placez le module de nettoyage dans la piscine.
- Laissez le robot nettoyeur se poser au fond de la piscine. Attendez que le robot nettoyeur ait atteint le fond de la piscine pour déclencher le mettre en marche.
- Déployez le câble flottant dans la piscine. Assurez-vous que seule la longueur de câble requise est déployée dans la piscine. Évitez les enroulements ou les torsions de câble. Déroulez une longueur de câble supplémentaire en dehors de la piscine près du module de commande et d'alimentation.
- Branchez le câble flottant (A) à la prise (B) située sur le module de commande et d'alimentation.

MISE EN GARDE: L'utilisation du nettoyeur hors de l'eau cause de graves dommages immédiatement et se traduit par la perte de la garantie.

Fonctionnement

Démarrage du robot nettoyeur

1. Branchez le module de commande et d'alimentation à la prise secteur. Le voyant lumineux de fonctionnement (4) s'allume et le robot nettoyeur commence son programme de nettoyage. Si le module de commande et d'alimentation est déjà connecté à la prise secteur, le voyant lumineux fonctionnement (5) clignote pour indiquer que le robot nettoyeur est en mode veille. Appuyez sur le bouton Marche (6). Le voyant lumineux de fonctionnement s'allume et le robot nettoyeur commence son programme de nettoyage.

Remarque : Lorsque le voyant de vérification du filtre (3) est allumé, les filtres du robot nettoyeur doivent être nettoyés avant de placer le module de nettoyage dans la piscine. Le voyant de vérification du filtre est facultatif sur certains modèles.

Cycle de nettoyage

Pendant le cycle de nettoyage, le robot nettoyeur :

- Se déplace dans le fond de la piscine et collecte les impuretés et les débris.
- Change de direction et suit automatiquement un parcours en fonction du programme sélectionné
- Gravit les parois de la piscine à une fréquence défini dans son programme interne.

Remarque : Le robot nettoyeur peut parfois s'immobiliser pendant quelques secondes. Il ne s'agit pas d'un cas de dysfonctionnement, mais cela fait partie du fonctionnement normal.

Arrêter le robot nettoyeur

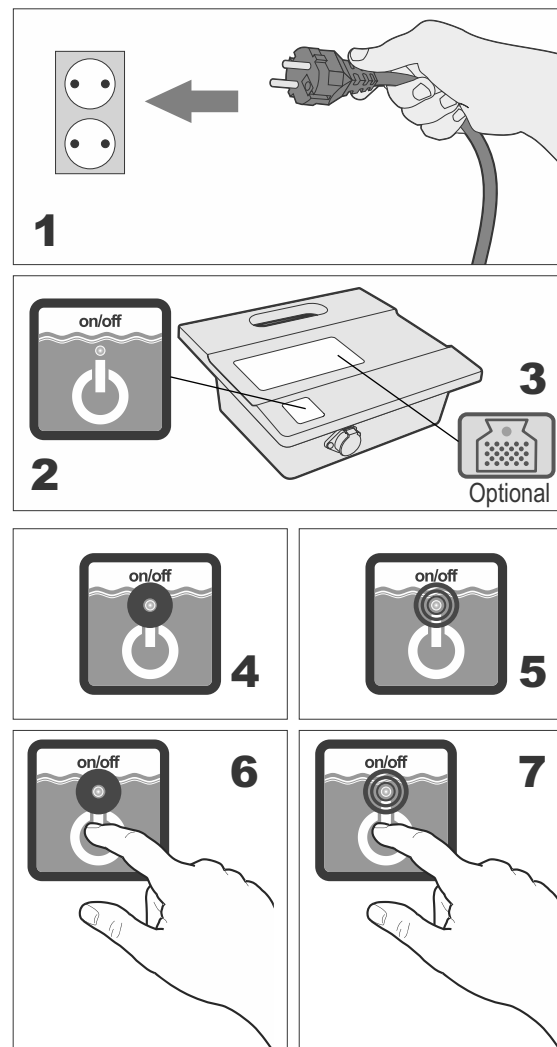
Le robot nettoyeur passe automatiquement en mode veille après chaque cycle de nettoyage et le voyant lumineux de fonctionnement (5) se met à clignoter.

Pour arrêter le robot au cours d'un cycle de nettoyage, appuyez sur la touche « Marche » (7) une fois. Le voyant lumineux de fonctionnement (7) se met à clignoter et le robot nettoyeur passe en mode veille.

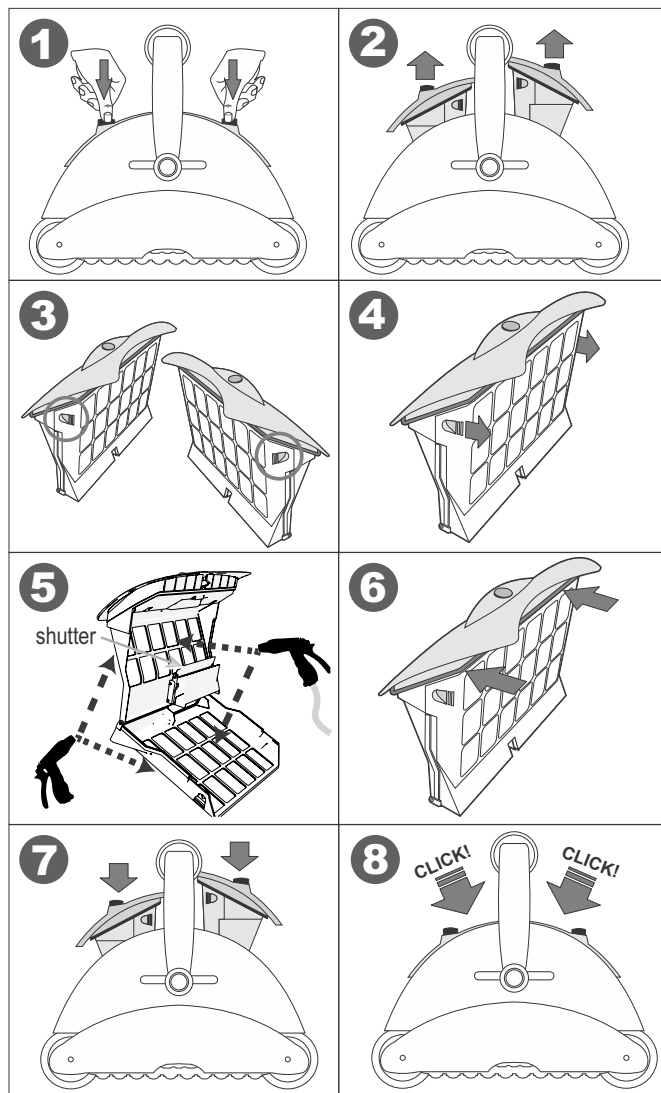
Retirer le module de nettoyage de l'eau

1. Débranchez le câble flottant du module de commande et d'alimentation.
2. Tirez sur le câble flottant pour rapprocher le module de nettoyage jusqu'à ce qu'il soit possible de saisir la poignée par la main.
3. Utilisez la poignée, soulevez le module de nettoyage pour le retirer de la piscine.

Attention: N'utilisez pas le câble flottant pour sortir le module de nettoyage de l'eau.



Entretien et réglage



Nettoyage des filtres

Les deux filtres doivent être nettoyés après chaque cycle de nettoyage.

1. Libérez le filtre et délogez-le du module de nettoyage. (1), (2)
2. Tirez sur la porte du boîtier de filtre pour l'ouvrir. (3), (4)
3. Essorez l'eau vers l'extérieur du filtre, puis vers l'intérieur pour nettoyer toutes les impuretés et les débris. (5)
4. Vérifiez que le petit volet plastique (2) est en place et intact. Fermez le filtre. (6)
5. Logez le filtre dans son boîtier jusqu'à ce qu'un déclic se fasse entendre pour le fixer. (7), (8)

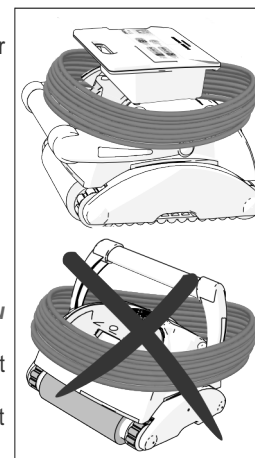
Rangement du robot nettoyeur

Suivez les consignes ci-dessous pour ranger le robot nettoyeur lorsque vous ne l'utilisez pas :

1. Débranchez le cordon d'alimentation de la prise secteur.
2. Débranchez le câble flottant du module de commande et d'alimentation.
3. Déroulez le câble flottant et redressez toutes les torsions.
4. Lavez l'intérieur du module de nettoyage à l'aide d'eau fraîche et laissez sécher.
5. Enroulez le câble flottant et placez-le sur le module de nettoyage.

Attention: N'enroulez pas le câble flottant sur la poignée du module de nettoyage.

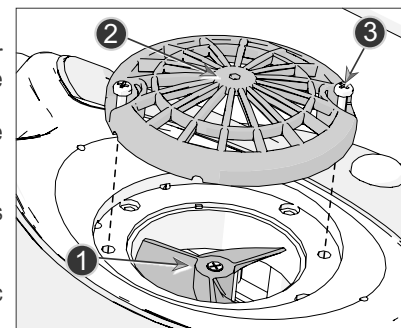
6. Rangez les composants du robot nettoyeur dans un endroit sec et fermé.
7. Vérifiez que le module de commande et d'alimentation n'est pas exposé à l'eau.



Vérification de la sortie d'eau de l'hélice

Il est recommandé de périodiquement nettoyer les débris et les cheveux de l'hélice de sortie d'eau :

1. Retirez les vis (3) qui maintiennent le couvercle de la sortie d'eau (2).
2. Retirez le couvercle de la sortie d'eau (2).
3. Enlevez les cheveux, les impuretés ou les débris.
4. Vérifiez que l'hélice (1) est intacte.
5. Remplacez le couvercle (2) et le fixez-le avec les vis (3).



Ce chapitre traite des options de programmation. Sautez le chapitre si votre modèle n'est pas programmable ou si le robot-nettoyeur est déjà programmé.

Aquacontrol



check filter
chèqe filtre
filter überprüfen
controllare il sacchetto filtrante
revise el filtro



cleaning time
temps de nettoyage
reinjungszeit
tempo di pulizia
tiempo de limpieza



2.0H



1.5H




Aquacontrol

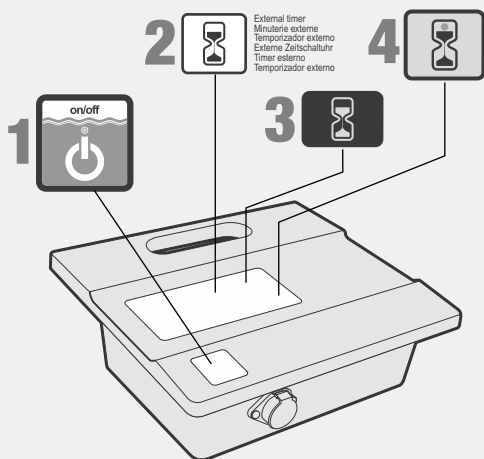
Cleaning program
Mode nettoyage
Programa de limpeza
Reinjungsprogramm
Programma di pulizia
Programa de limpeza

Internal timer
Minuterie interne
Temporizador interno
Interne Zeitschaltuhr
Timer interno

Check filter
Vérifiez le filtre
Revise el filtro
Filter überprüfen
Controllare il sacchetto filtrante
Verifique o Filtro

External timer
Minuterie externe
Temporizador externo
Externe Zeitschaltuhr
Timer externo

PROGRAM 03	96h	
PROGRAM 02	72h	
PROGRAM 01	48h	



Panneau de commande

Le panneau de commande se compose des éléments suivants :

- Bouton d'alimentation (1) – met le robot nettoyeur en marche ou l'arrête.
- Description du fonctionnement (2) - décrit le fonctionnement
- Les boutons de commande (3) – de couleur bleue, ils permettent d'opérer le choix de la fonction correspondante.
- Affichage de l'état (4) – le voyant lumineux s'allume pour afficher l'option sélectionnée ou l'état du robot nettoyeur.

Aquacontrol




Swivel
Pivot
Drehlager
Manopola di disattorcigliamento
Swivel

Cleaning program
Mode nettoyage
Programa de limpeza
Reinjungsprogramm
Programma di pulizia
Programa de limpeza

Internal timer
Minuterie interne
Temporizador interno
Interne Zeitschaltuhr
Timer interno

Check filter
Vérifiez le filtre
Revise el filtro
Filter überprüfen
Controllare il sacchetto filtrante
Verifique o Filtro

External timer
Minuterie externe
Temporizador externo
Externe Zeitschaltuhr
Timer externo

HIGH	PROGRAM 03	96h	
NORMAL	PROGRAM 02	72h	
	PROGRAM 01	48h	

Aquacontrol

Auto detect
Auto detection
Auto detección
Automatische Erkennung
Auto diagnosi
Detección automática

Swivel
Pivot
Drehlager
Manopola di disattorcigliamento
Swivel




Internal timer
Minuterie interne
Temporizador interno
Interne Zeitschaltuhr
Timer interno

External timer
Minuterie externe
Temporizador externo
Externe Zeitschaltuhr
Timer externo

Pool shape
Forme de piscine
Forma da piscina
Beckenform
Forma piscina
Forma da piscina

Cleaning program
Mode nettoyage
Programa de limpeza
Reinjungsprogramm
Programma di pulizia
Programa de limpeza

Check filter
Vérifiez le filtre
Revise el filtro
Filter überprüfen
Controllare il sacchetto filtrante
Verifique o Filtro

HIGH	PROGRAM 03	96h	
NORMAL	PROGRAM 02	72h	
	PROGRAM 01	48h	

Aquacontrol

Auto detect
Auto detection
Auto detección
Automatische Erkennung
Auto diagnosi
Detección automática

Swivel
Pivot
Drehlager
Manopola di disattorcigliamento
Swivel







Cleaning Level
Niveau de Nettoyage
Nível de Limpeza
Reinjungsstufe
Programma di pulizia
Nível de Limpeza

Delay
Retard
Verzögerung
Ritardo
Atraso

Pool shape
Forme de piscine
Forma da piscina
Beckenform
Forma piscina
Forma da piscina

Cleaning program
Mode nettoyage
Programa de limpeza
Reinjungsprogramm
Programma di pulizia
Programa de limpeza

Check filter
Vérifiez le filtre
Revise el filtro
Filter überprüfen
Controllare il sacchetto filtrante
Verifique o Filtro

HIGH	PROGRAM 03		
NORMAL	PROGRAM 02		
	PROGRAM 01		

SPS 500

100/200
300/400
500

**Vérification du filtre**

Lorsque le voyant s'allume, il indique que le sac-filtre doit être enlevé, nettoyé et réinstallé correctement dans le robot pour un fonctionnement efficace du système.

Dans les modèles 300, 400, 500 – le robot-nettoyeur s'arrêtera de grimper aux murs une fois le voyant du filtre allumé

100

**Cleaning time**

- time duration spent cleaning the pool.

Press the button to select the desired time. A red light will indicate your selection.

This feature can only be selected when the Power supply is in standby mode

200
300/400

**Minuterie interne – option de fonctionnement automatique:**

Toutes les 48 heures

Toutes les 72 heures

Toutes les 96 heures

200/300

**Sélection du programme de nettoyage:**

Programme 01 – nettoyage des parois et du sol pendant 1.0 heures

Programme 02 – nettoyage des parois et du sol pendant 1.5 heures.

Programme 03 – nettoyage des parois et du sol pendant 2 heures.

400

**Sélection du programme de nettoyage:**

Programme 01 – cycle de nettoyage - 1.5 heure sol seulement

Programme 02 – nettoyage des parois et du sol pendant 2.0 heures.

Programme 03 – nettoyage des parois et du sol pendant 2.5 heures.

500

**Sélection du programme de nettoyage:**

Programme 01 – cycle de nettoyage 2 heure sol seulement

Programme 02 - 4 heures de nettoyage du fond et des parois (sur certains modèles, la fonction de nettoyage des parois n'est pas disponible).

Programme 03 - 5 heures de nettoyage du fond et des parois (sur certains modèles, la fonction de nettoyage des parois n'est pas disponible).

200
300/400

**Minuterie externe -**

Cette fonction offre à l'utilisateur final la possibilité de programmer l'horaire de nettoyage via un minuteur externe (vendu séparément). Presser ce bouton active et désactive cette fonction.

300/400
500

**Tourillon**—permet d'ajuster la vitesse de rotation du robot dans la piscine.

Normal – fonctionnement standard

Élevé – vitesse de rotation différente

400/500



Détection automatique: cette fonctionnalité empêche le robot d'être coincé par des obstacles dans la piscine, notamment les collecteurs principaux, les escaliers, les échelles, etc. Appuyez sur ce bouton pour sélectionner l'une des options suivantes:



Détection automatique – DÉACTIVÉ. Cette option doit être sélectionnée si votre robot change de direction au milieu de la piscine sans qu'il soit en contact avec un obstacle quelconque.



Détection automatique – ACTIVÉ. Le robot doit changer de direction lorsqu'il entre en contact avec certains obstacles. Sélectionnez cette option lorsque la piscine est jonchée d'obstacles comme des systèmes de nettoyage du sol, les collecteurs d'immeubles et des échelles.

400/500



Forme de la piscine:

Permet au robot de calculer le modèle de nettoyage le plus efficace, pour la forme de piscine sélectionnée. Appuyez sur le bouton pour sélectionner le dessin le plus adapté à la forme de la piscine. Un voyant rouge va indiquer votre sélection.

500



Niveau de nettoyage – Modifier les performances de nettoyage



Rapide : à sélectionner si votre piscine a peu de saletés.



Normal : à sélectionner pour l'entretien journalier.



Minutieux : à sélectionner si votre piscine a beaucoup de saletés.

500

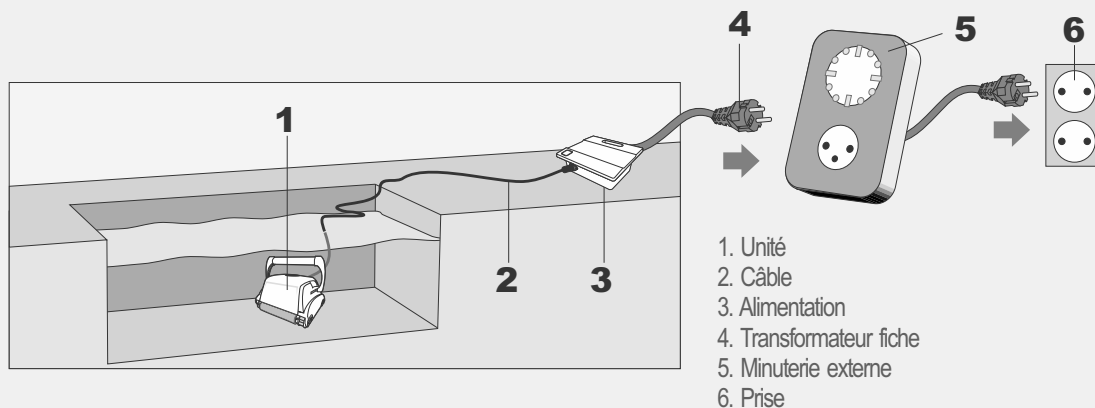


Temporisation

Lorsque cette option est activée, le robot commence à travailler après 2 heures de temporisation.

Cette fonction est utilisée pour laisser les débris et la poussière se déposer sur le fond avant le démarrage du nettoyage par le robot.

Minuterie Externe



Utiliser une minuterie externe
(optionnel, vendu séparément)

Une minuterie externe peut être utilisée pour activer automatiquement le nettoyeur à un moment prédéfini. La minuterie externe doit être connectée entre la prise murale, l'alimentation et l'unité de contrôle.

Dépannage

LE MODULE DE NETTOYAGE NE SE MET PAS EN MARCHÉ

La prise secteur est hors tension. 1. Débranchez le module de nettoyage de celui de commande et d'alimentation.

2. Débranchez la source d'alimentation de la prise murale, attendez 30 secondes, puis rebranchez.
3. Mettez l'appareil en marche. S'il ne s'active pas, branchez-le à une différente prise secteur.

Le câble flottant n'est pas correctement branché au module de commande et d'alimentation.

Rebranchez le câble flottant au module de commande et d'alimentation.

Il y a un obstacle dans le système de transmission du module de nettoyage.

1. Tournez soigneusement l'appareil pour voir l'intérieur.
2. Faites pivoter les rails et les brosses à récurage à la main. Ils ne tournent pas alors qu'ils doivent le faire sans heurt.
3. Nettoyez et enlevez les obstacles et les débris si nécessaire.

L'hélice est grippée en raison d'un amas de cheveux.

Vérifiez si l'hélice est brisée ou doit être nettoyée (voir la section « Vérification de la sortie d'eau de l'hélice »)

LE MODULE DE NETTOYAGE SE DÉPLACE SANS TOUTEFOIS POMPER DE L'EAU.

Les filtres sont sales.

1. Démontez les filtres
2. Faites fonctionner le robot nettoyeur dans la piscine sans ses filtres. En cas de fonctionnement normal, bien nettoyez les filtres ou remplacez-les.

L'hélice est brisée en raison d'un amas de cheveux.

Vérifiez si l'hélice est brisée ou doit être nettoyée (voir la section « Vérification de la sortie d'eau de l'hélice »).

LE MODULE DE NETTOYAGE POMPE DE L'EAU SANS TOUTEFOIS SE DÉPLACER.

Il y a un obstacle dans le système de transmission du module de nettoyage.

1. Tournez soigneusement l'appareil pour voir l'intérieur.
2. Faites pivoter les rails et les brosses à récurage à la main. Ils ne tournent pas alors qu'ils doivent le faire sans heurt.
3. Nettoyez et enlevez les obstacles et les débris si nécessaire.

LE MODULE DE NETTOYAGE DÉMARRE PUIS S'ARRÊTE APRÈS UN BREF MOMENT.

Les filtres sont sales.

1. Démontez les filtres.
2. Faites fonctionner le robot nettoyeur sans ses filtres. En cas de fonctionnement normal, bien nettoyez les filtres ou remplacez-les.

L'hélice est brisée en raison d'un amas de cheveux.

1. Enlevez les vis supérieures du couvercle supérieur.
2. Vérifiez si l'hélice est brisée ou a besoin d'être nettoyée.

Il y a un obstacle dans le système de transmission du module de nettoyage.

1. Tournez soigneusement l'appareil pour voir l'intérieur.
2. Faites pivoter les rails et les brosses à récurage à la main. Ils ne tournent pas alors qu'ils doivent le faire sans heurt.
3. Nettoyez et enlevez les obstacles et les débris si nécessaire.

LE MODULE DE NETTOYAGE NE COLLECTE PAS LA SALETÉ.

Les filtres sont sales ou sont troués.

Nettoyez comme voulu puis vérifiez que le filtre n'est pas troué.

L'hélice est brisée en raison d'un amas de cheveux.

Vérifiez si l'hélice est brisée ou doit être nettoyée (voir la section « Vérification de la sortie d'eau de l'hélice »).

L'admission de l'aspiration n'est pas assez proche du fond de la piscine.

Déplacez l'admission de l'aspiration sur OUT (voir la rubrique « Réglage de la hauteur d'aspiration » à la page 9).

LA SALETÉ SORT DU MODULE DE NETTOYAGE UNE FOIS COLLECTÉE DE LA PISCINE.

La fermeture du filtre est cassée ou absente.

Ouvrez les filtres et vérifiez que l'obturateur de filtre n'est pas brisé et fonctionne correctement (voir la rubrique « Filtres de nettoyage »)

Les filtres sont perforés.

Ouvrez les filtres et vérifiez que les écrans de filtre ne sont pas troués (voir la rubrique « Filtres de nettoyage »)

Le couvercle inférieur n'est pas correctement fermé.

Assurez-vous que le couvercle inférieur est correctement fermé.

Dépannage

LE MODULE DE NETTOYAGE NE PARCOURT PAS TOUTE LA PISCINE.

Les filtres sont sales.

Nettoyez les filtres.

Il n'y a pas suffisamment de longueur de câble flottant dans l'eau pour atteindre le fond de la piscine, ou le câble est emmêlé.

1. Vérifiez qu'il y a suffisamment de longueur de câble flottant dans l'eau pour atteindre le fond de la piscine.
2. Assurez-vous que le câble flottant est bien étalé et n'est pas emmêlé.

L'angle de la poignée flottante affecte le mouvement du module de nettoyage.

Augmentez l'angle diagonal de la poignée flottante (voir la rubrique « Réglage Poignée flottant »).

Le niveau de pH de la piscine est incorrect.

Assurez-vous que le niveau de pH est compris entre 7,2 et 7,6.

Le niveau de chlore est incorrect.

Vérifiez le traitement au chlore de l'eau et corrigez si nécessaire (enlevez le filtre de la piscine pendant le traitement.)

L'hélice est brisée en raison d'un amas de cheveux.

1. Enlevez les vis supérieures du couvercle supérieur.
2. Vérifiez si l'hélice est brisée ou a besoin d'être nettoyée.

Il y a un obstacle dans le système de transmission du module de nettoyage.

1. Tournez soigneusement l'appareil pour voir l'intérieur.
2. Faites pivoter les rails et les brosses à récurage à la main. Ils ne tournent pas alors qu'ils doivent le faire sans heurt.
3. Nettoyez et enlevez les obstacles et les débris si nécessaire.

LE MODULE DE NETTOYAGE NE GRAVIT PAS LES PAROIS.

Le module de nettoyage ne gravit pas les parois de la piscine.

1. Vérifiez que votre robot nettoyeur n'est pas un modèle de fond uniquement.
2. Vérifiez que P1, nettoyage du fond uniquement, n'est pas sélectionné sur le module de commande et d'alimentation (voir la rubrique « Programmation du robot nettoyeur »).

Les filtres sont sales.

Nettoyez les filtres.

L'hélice est brisée en raison d'un amas de cheveux.

Vérifiez si l'hélice est brisée ou doit être nettoyée (voir la section « Vérification de la sortie d'eau de l'hélice »).

Le niveau de pH est incorrect.

Assurez-vous que le niveau de pH est compris entre 7,2 et 7,6.

Le niveau de chlore est incorrect.

Vérifiez le traitement au chlore de l'eau (enlevez le module de nettoyage de la piscine pendant le traitement.)

La température de l'eau n'est pas optimale.

La température recommandée est comprise entre 22 et 32°C (72 et 90°F).

LE CÂBLE EST EMMÊLÉ.

Les filtres sont sales.

Nettoyez les filtres.

Le couvercle inférieur n'est pas correctement fermé.

Assurez-vous que le couvercle inférieur est correctement fermé.

Le câble n'est pas étalé avant de plonger le module de nettoyage dans la piscine.

Assurez-vous que le câble flottant est bien étalé et n'est pas emmêlé avant de mettre le robot nettoyeur en marche.

La longueur du câble dans l'eau excède celle recommandée.

Vérifiez que la longueur du câble dans l'eau est égale à la longueur de la diagonale de la piscine et avec un surplus de deux mètres.

L'hélice est brisée en raison d'un amas de cheveux.

Vérifiez si l'hélice est brisée ou doit être nettoyée (voir la section « Vérification de la sortie d'eau de l'hélice »).

LA TÉLÉCOMMANDE NE FONCTIONNE PAS.

La batterie est vide. Le voyant lumineux clignote ou n'est pas en marche.

Vérifiez la batterie en appuyant sur l'un des boutons. La lumière rouge de la télécommande ne clignote pas ou reste allumée en permanence lorsque la batterie est vide. Contactez votre revendeur ou votre centre de service.

Télécommande (en option)

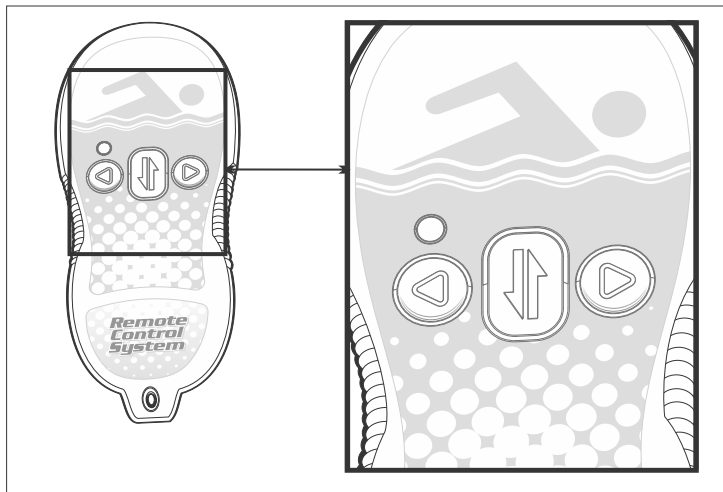
Ce chapitre porte sur le fonctionnement du module de commande à distance en option. La télécommande est incluse dans certains modèles.

Présentation de la télécommande

La télécommande est une option qui permet de contrôler le robot nettoyeur via des boutons de commande à distance. Lorsque vous appuyez sur les touches de la télécommande, le signal radio est transmis au module de commande et d'alimentation. Ce signal est transféré sous la forme d'une commande transmise au robot nettoyeur via le câble flottant.

Utilisation de la télécommande

1. Appuyez sur le bouton droit (3) pour orienter le robot nettoyeur vers la droite. Le robot nettoyeur continue à pivoter vers la droite jusqu'à ce que le bouton soit relâché.
2. Appuyez sur le bouton gauche (1) pour orienter le robot nettoyeur vers la gauche. Le robot nettoyeur continue à pivoter vers la gauche jusqu'à ce que le bouton soit relâché.
3. Appuyez sur le bouton « Avant/Arrière » (2) pour arrêter le robot nettoyeur et changer la direction du mouvement. Le voyant lumineux de la télécommande s'allume après chaque commande. Si la LED ne répond pas ou clignote, veuillez remplacer la batterie.



Caddy (en option)

Le caddy est un accessoire en option qui facilite le déplacement du robot nettoyeur, du câble flottant et du module de commande et d'alimentation d'un endroit à un autre.

Montage du caddy

Pour monter le caddy, vous avez besoin d'un tournevis standard et d'une clé de 8 mm.

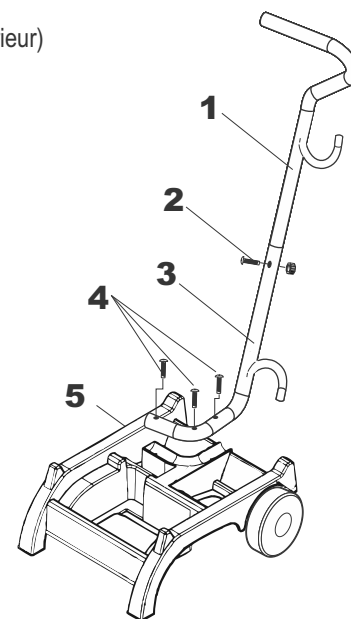
Fixation de la poignée du caddy

1. Fixez la partie inférieure de la poignée (3) sur le châssis de caddy (5) avec les trois vis (4) et les écrous.
2. Joignez la partie supérieure de la poignée (1) à sa partie inférieure (3) avec la vis (2) et l'écrou.

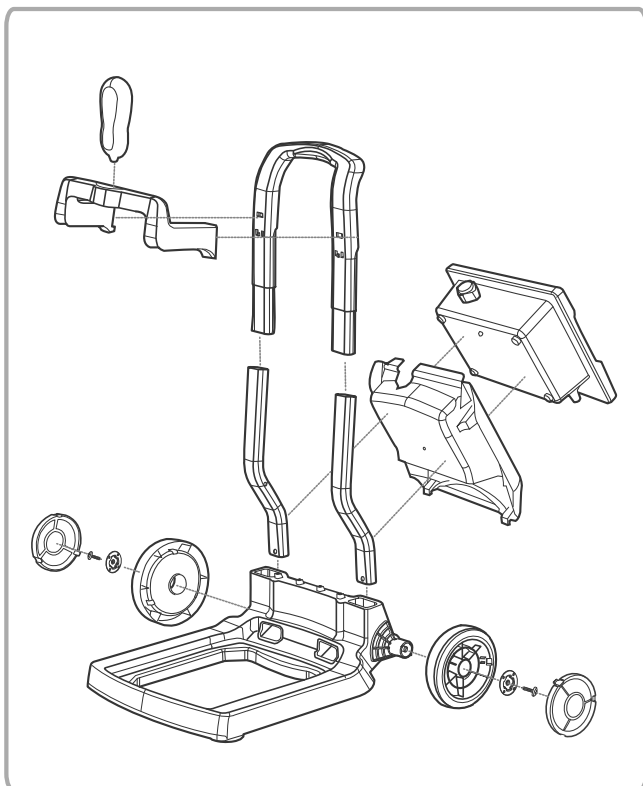
Chargement du robot nettoyeur sur le caddy

1. Placez le module de nettoyage sur la base du caddy.
2. Enroulez le câble flottant et placez-le sur le module de nettoyage.
3. Placez le module de commande et d'alimentation au-dessus du rouleau de câble flottant.

1. Manche du Caddy (supérieur)
2. Vis de la manche
3. Manche du Caddy (bas)
4. Vis du corps
5. Corps du Caddy



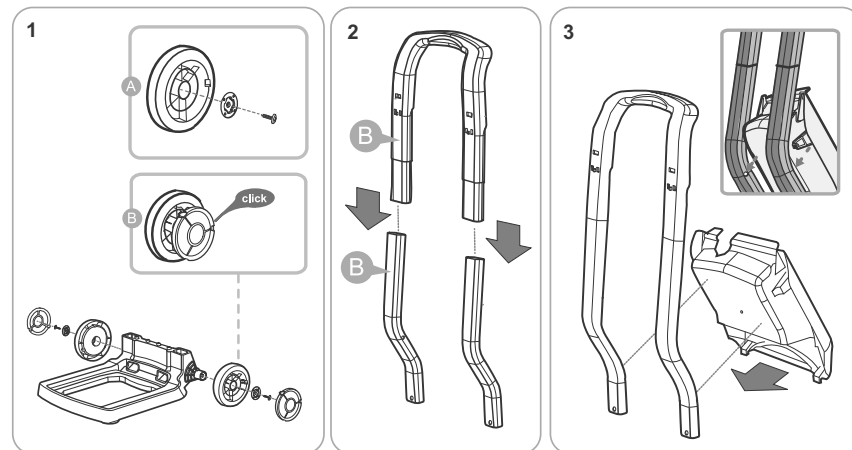
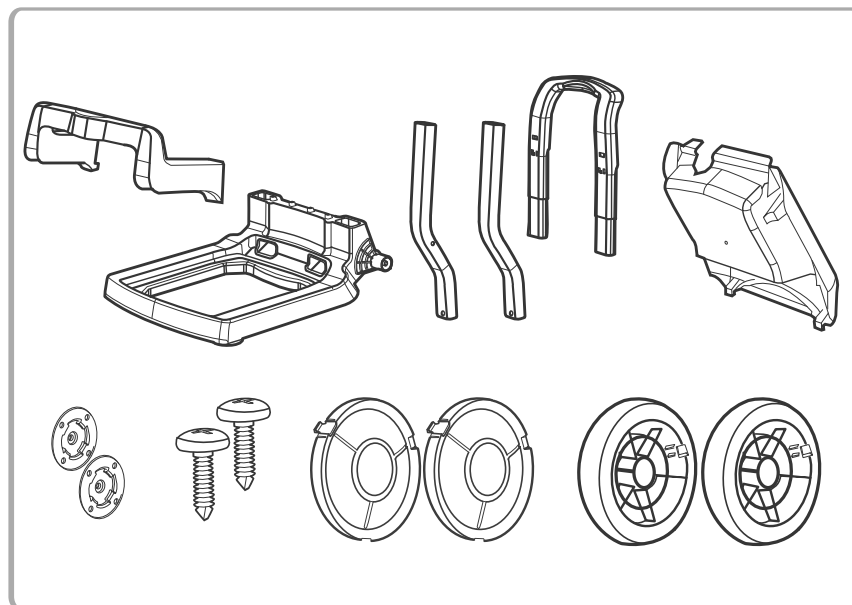
Chariot "Trolly" (en option)



Le chariot est un accessoire en option qui facilite le déplacer du robot nettoyeur et qui offre un espace de montage du le module de commande et d'alimentation.

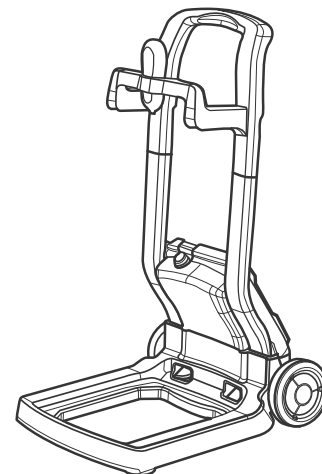
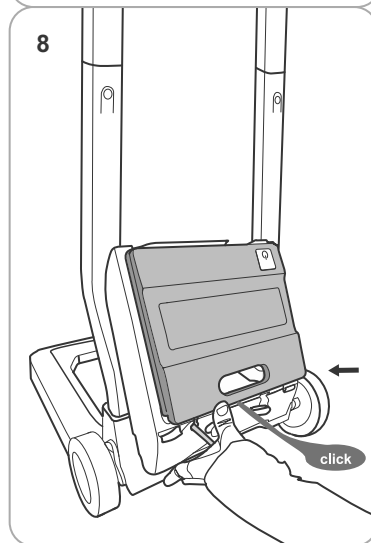
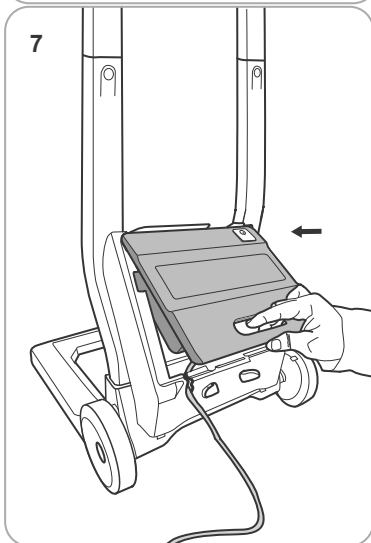
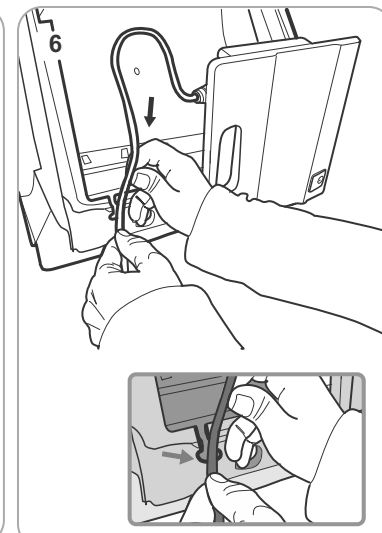
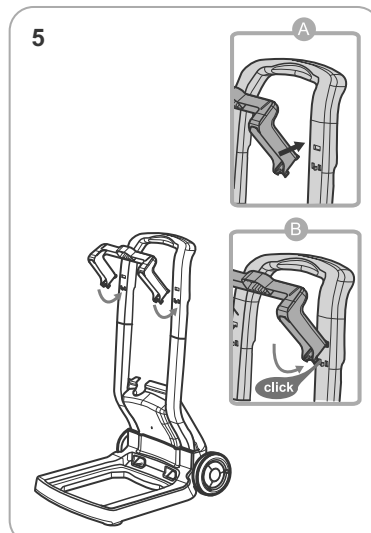
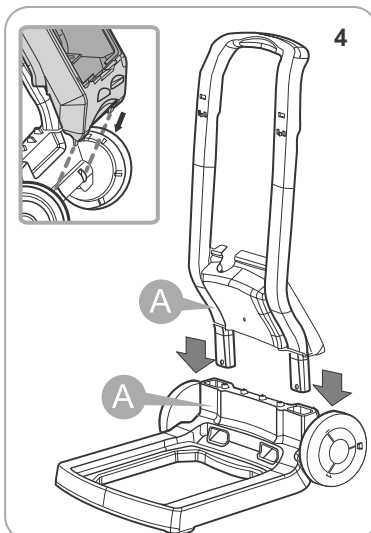
Pour monter le chariot :

1. Fixez les roues des deux côtés de la base du chariot.
2. Fixez chaque roue avec la vis et installez le couvercle.
3. Montez les deux parties de la poignée.



Chariot "Trolly" (en option)

4. Insérez la poignée dans la base de chariot. Faites cliquer les pattes inférieures du boîtier du module de commande et d'alimentation dans la base de chariot.
5. Fixez le support de la télécommande en insérant la partie supérieure dans la poignée du chariot et en faisant tourner vers le bas jusqu'à ce qu'un clic se fasse entendre dans la partie inférieure.
6. Placez le câble du module de commande et d'alimentation dans la rainure de la base de chariot.
7. Fixez le boîtier du module de commande et d'alimentation en faisant cliquer les pattes supérieures dans les trous de la poignée.
8. Placez la partie supérieure du module de commande et d'alimentation dans le boîtier et poussez la partie inférieure vers le bas jusqu'à ce qu'un clic se fasse entendre dans la base de chariot.



Índice de materias

Instrucciones importantes sobre seguridad

Introducción

- Descripción general del sistema
- Cómo limpia el robot limpiafondos su piscina
- Condiciones de funcionamiento

Componentes

- El robot limpiafondos
- Unidad de alimentación y control

Utilización

- Antes del primer uso
- Colocación del limpiafondos en el agua
- Puesta en marcha del robot limpiafondos
- Ciclo de limpieza
- Parada de funcionamiento del robot limpiafondos
- Extracción del limpiafondos del agua

Mantenimiento

- Filtros de limpieza
- Almacenamiento del robot limpiafondos
- Comprobación de la hélice de salida de agua

Opciones de programación

- Panel de control
- Botones superpuestos
- Temporizador externo

Solución de problemas

Mando a distancia

- Descripción general del mando a distancia
- Uso del mando a distancia

Carrito (opcional)

- Montaje del carrito
- Conectar el asa del carrito
- Carga del robot limpiafondos en el carrito

Carretilla (opcional)

- Componentes
- Montaje de la carretilla

INSTRUCCIONES IMPORTANTES SOBRE SEGURIDAD LEA Y SIGA TODAS LAS INSTRUCCIONES

PRECAUCIÓN: No enchufe la fuente de alimentación a una toma aterrada ni tampoco pase el interruptor a la posición de encendido "ON" si el limpiador no está totalmente sumergido en el agua. Si opera el limpiador fuera del agua puede causar daños severos de forma inmediata y se traducirá en la pérdida de la garantía.

Deje el limpiador en la piscina por espacio de 15 a 20 minutos siguientes a la conclusión de su ciclo de limpieza. Esto permitirá que los motores se enfríen adecuadamente. No deje el limpiador en la piscina todo el tiempo. Recuerde siempre de apagar la fuente de alimentación "OFF" y desenchufe la toma de corriente antes de retirar el limpiador de la piscina.

ADVERTENCIA: El limpiador no debe ser utilizado cuando las personas están en el agua. Para su utilizado solamente en piscinas

Nota de seguridad

- La unidad deberá recibir su energía a través de un dispositivo de corriente residual (RCD) con una intensidad nominal residual no superior a los 30 mA
- La conexión con el circuito de derivación debe ser compatible con las normas de cableado locales y nacionales (código eléctrico).
- El manejo incorrecto de la unidad puede dar lugar a fugas de lubricantes.
- Si el cable de alimentación está dañado, debe ser reemplazado por el agente de servicio del fabricante o una persona calificada y entrenada con el fin de evitar peligros.



Este aparato no está diseñado para ser utilizado por personas (incluidos niños) con capacidades físicas, sensoriales o mentales reducidas, o con falta de experiencia y conocimiento, a menos que se les supervise o se les instruya en el uso del aparato por una persona responsable de su seguridad. Los niños deberán ser supervisados para asegurar de que no jueguen con el aparato.



ADVERTENCIA: Un interruptor de falla de corriente a tierra (GFCI, EE.UU.) o un dispositivo de corriente residual (RCD-EUROPE) deberá instalarse para proteger la toma de corriente eléctrica y evitar posibles descargas eléctricas.

GUARDE ESTAS INSTRUCCIONES

Introducción

Descripción general del sistema

El robot limpiafondos barre el fondo y las paredes de la piscina para recoger la suciedad y los residuos en sus filtros internos.

Nota:

Este manual del usuario explica cómo utilizar el robot limpiafondos, incluyendo los procedimientos de limpieza, mantenimiento y de almacenamiento.

Cómo limpia el robot limpiafondos su piscina

Este manual revisa varios modelos de robot limpiafondos. Hay algunas variaciones en los componentes según el modelo específico.

Cuando el robot limpiafondos se ha colocado en la piscina y se ha encendido, funciona de acuerdo con el programa establecido a través de la unidad de alimentación y control. El robot limpiafondos se desplaza por el fondo y las paredes de la piscina, cubriendo toda la zona de la piscina. Cuando finaliza el programa, permanece inactivo en el fondo de la piscina.

Nota:

La escalada de paredes es una función opcional. Cuando la función de escalada de paredes está activada, el robot limpiafondos trepa por las paredes a intervalos según su programa interno. La capacidad de un robot limpiafondos para subir por las escaleras de una piscina está sujeta a la geometría de la escalera y a su material.

Condiciones de funcionamiento

El robot limpiafondos está diseñado para uso en piscinas en las siguientes condiciones:

- Temperaturas de entre 13 °C - 35 °C; la temperatura recomendada es de entre 22 °C - 32 °C."

- pH del agua: 7,2 - 7,6"

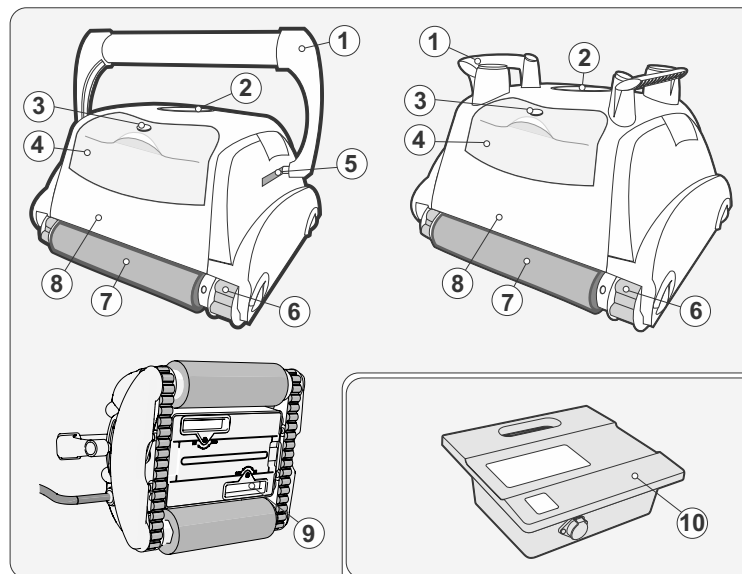
- Nivel de cloro: la piscina se mantiene de acuerdo con las instrucciones del fabricante de la piscina."

Nota:

Si la piscina no se mantiene de acuerdo con las condiciones de funcionamiento recomendadas, el robot limpiafondos podría no funcionar correctamente.

Retire el limpiador del agua cuando realice el "Tratamiento de Choque Químico" en el agua de la piscina.

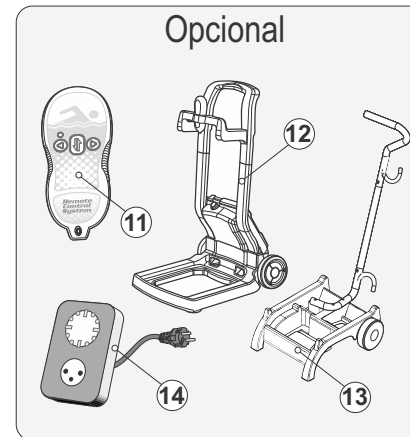
Componentes



- 1) Manija
- 2) Salida de agua
- 3) Para Destrobar el filtro
- 4) Acceso superior del filtro
- 5) Mecanismo de traba de la manija
- 6) correa de movimiento
- 7) Cepillo
- 8) Cuerpo de la unidad
- 9) Entrada de agua
- 10) Unidad de alimentación

OPCIONAL

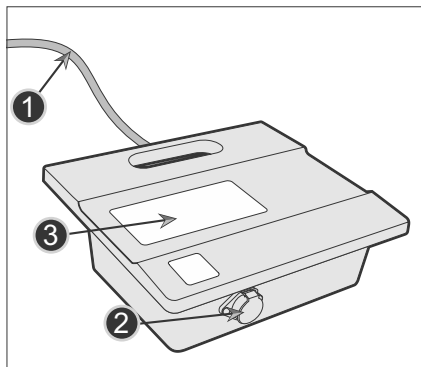
- 11) Mando a distancia
 - 12) Carrito "Trolley"
 - 13) Carrito "Caddy"
 - 14) Temporizador externo
- (el cliente debe adquirirlo por separado)



Componentes

Unidad de alimentación y control

La unidad de alimentación y control está conectada al robot limpiafondos a través del cable flotante. La unidad está alimentada por corriente CA (1), suministra baja tensión y da órdenes al limpiafondos a través de la toma de corriente de salida (2).



La unidad cuenta con un panel de control (3) que incluye varios controles para hacer funcionar el robot limpiafondos.

Contenido de la caja de embalaje

El robot limpiafondos está embalado en una caja que contiene:

- El robot limpiafondos y el cable flotante.
- La unidad de alimentación y control.
- El manual de usuario.

Según el modelo adquirido, los siguientes accesorios pueden incluirse en el paquete:

- Mando a distancia
- Carrito
- Carretilla
- Accesorios adicionales

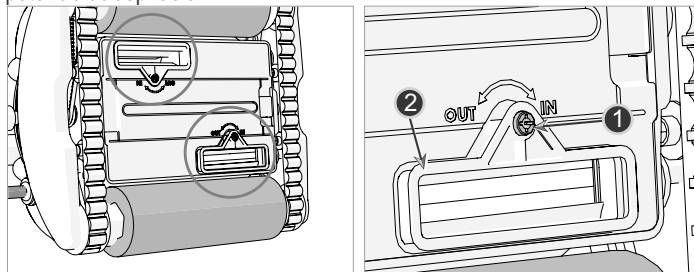
Utilización

Antes del primer uso

Ajuste de la altura de aspiración Al colocar la entrada de aspiración (2) cerca de la superficie de la piscina aumenta la potencia de aspiración y la calidad de la limpieza. La reducción de la entrada de aspiración podría provocar interferencias con obstáculos en el fondo o en las paredes de la piscina.

Utilice un destornillador para ajustar el mando de posición de la entrada de aspiración (1).

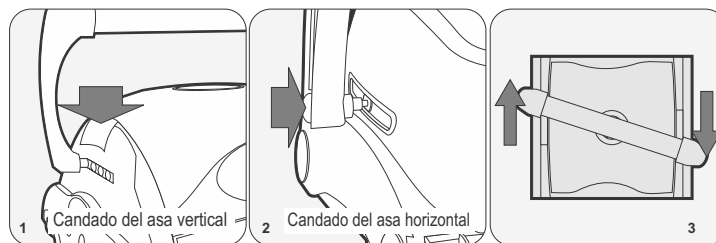
- IN: aleja la entrada de aspiración de la superficie de la piscina y reduce la potencia de aspiración.
- OUT: acerca la entrada de aspiración a la superficie de la piscina y aumenta la potencia de aspiración.



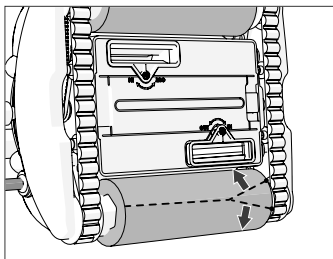
Ajuste del asa flotante

En los modelos que escalan las paredes, configure el asa flotante:

1. Pulse el botón de bloqueo (1 o 2 según el modelo) para liberar el bloqueo del asa.
2. Coloque el asa (3) en diagonal en la posición máxima.
3. Repita los pasos 1 y 2 al otro lado del limpiafondos.



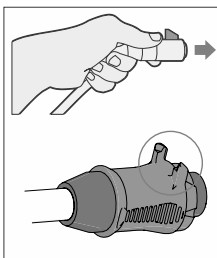
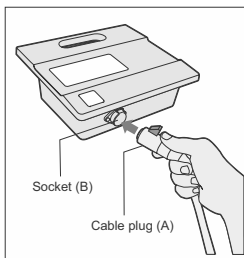
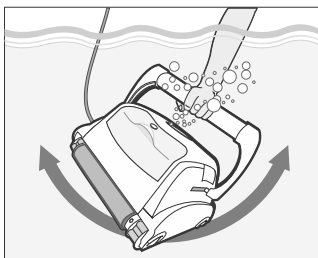
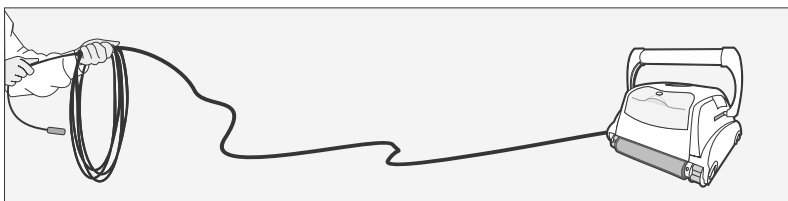
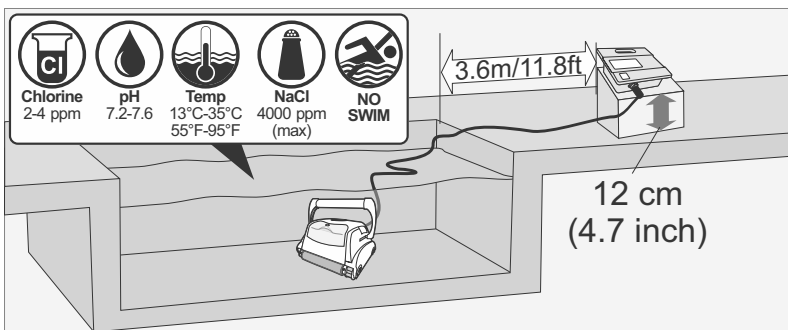
Utilización



Extracción de las cubiertas de las escobillas

El robot limpiafondos se envía con una cubierta protectora sobre las escobillas de fregado. Retire con cuidado las tapas de nylon de las escobillas de fregado.

PRECAUCIÓN: No utilice una herramienta afilada para quitar la cubierta, ya que podría dañar las escobillas.



Colocación de la unidad de alimentación y control

4. Coloque la unidad de alimentación y control al menos a 3,6 metros de distancia de la piscina y al menos 12 cm por encima de la superficie.

PRECAUCIÓN: La unidad de alimentación y de control no debe exponerse al agua o a la luz solar directa.

5. Libere las bridas de plástico del cable flotante, que se utilizan para sujetar los cables durante el envío, presionando el aro de plástico de las bridas.

Antes de colocar el limpiafondos en el agua

1. Asegúrese de que no haya nadie en la piscina.
2. Asegúrese de que los filtros estén limpios.
3. Asegúrese de que se cumplan las condiciones de la piscina; (consulte "Condiciones de funcionamiento").

Colocación del limpiafondos en el agua

1. Desenrolle el cable flotante. Se recomienda extender una longitud de cable equivalente a la diagonal de la piscina más dos metros adicionales.
2. Coloque el limpiafondos en la piscina.
3. Deje que el robot limpiafondos se hunda hasta el fondo de la piscina. No lo ponga en marcha antes de que esté asentado en el suelo de la piscina.
4. Extienda el cable flotante por la piscina. Asegúrese de extender sólo la longitud necesaria del cable por la piscina. Deshaga los enredos o torceduras del cable. Enrolle el cable adicional fuera de la piscina cerca de la unidad de alimentación y control.
5. Conecte el cable flotante (A) a la toma (B) ubicada en la unidad de alimentación y control.

PRECAUCIÓN: La utilización del limpiafondos fuera del agua causa graves daños inmediatos y ocasiona la pérdida de la garantía.

Utilización

Puesta en marcha del robot limpiafondos

1. Conecte la unidad de alimentación y control a la toma de la pared. El LED de funcionamiento (4) se enciende y el robot limpiafondos inicia su programa de limpieza.

Si la unidad de alimentación y de control ya está conectada a la toma de CA, el LED de funcionamiento (5) parpadea para indicar que el robot limpiafondos está en modo de espera.

Pulse el botón de funcionamiento (6). El LED de funcionamiento se enciende y el robot limpiafondos comienza el programa de limpieza.

Nota: cuando se enciende el LED de comprobación del filtro, los filtros del robot limpiafondos deben limpiarse antes de colocar el robot en la piscina. El LED de comprobación del filtro es opcional en algunos modelos.

Ciclo de limpieza

Durante el ciclo de limpieza, el robot limpiafondos:

- Se desplaza por el fondo de la piscina recogiendo la suciedad y los residuos.
- Cambia de dirección y gira automáticamente según el programa seleccionado
- Trepa por las paredes de la piscina cada pocos minutos, según lo establecido en su programa interno.

Nota: ocasionalmente, el robot limpiafondos puede dejar de moverse durante unos segundos. Esto forma parte del funcionamiento normal, no indica ninguna avería.

Parada de funcionamiento del robot limpiafondos

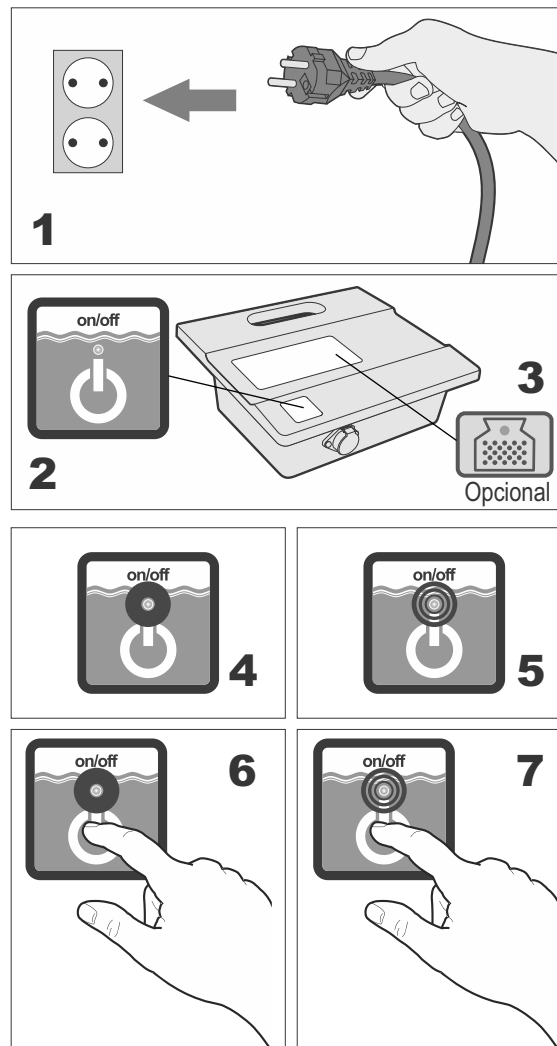
El robot limpiafondos se mueve automáticamente al modo de espera (STANDBY) después de cada ciclo de limpieza, y el LED de funcionamiento (5) empezará a parpadear.

Para detener el funcionamiento del limpiafondos durante un ciclo de limpieza, presione el botón de funcionamiento (7) una vez. El LED de funcionamiento (7) empezará a parpadear y el limpiafondos pasará a estar en modo de espera."

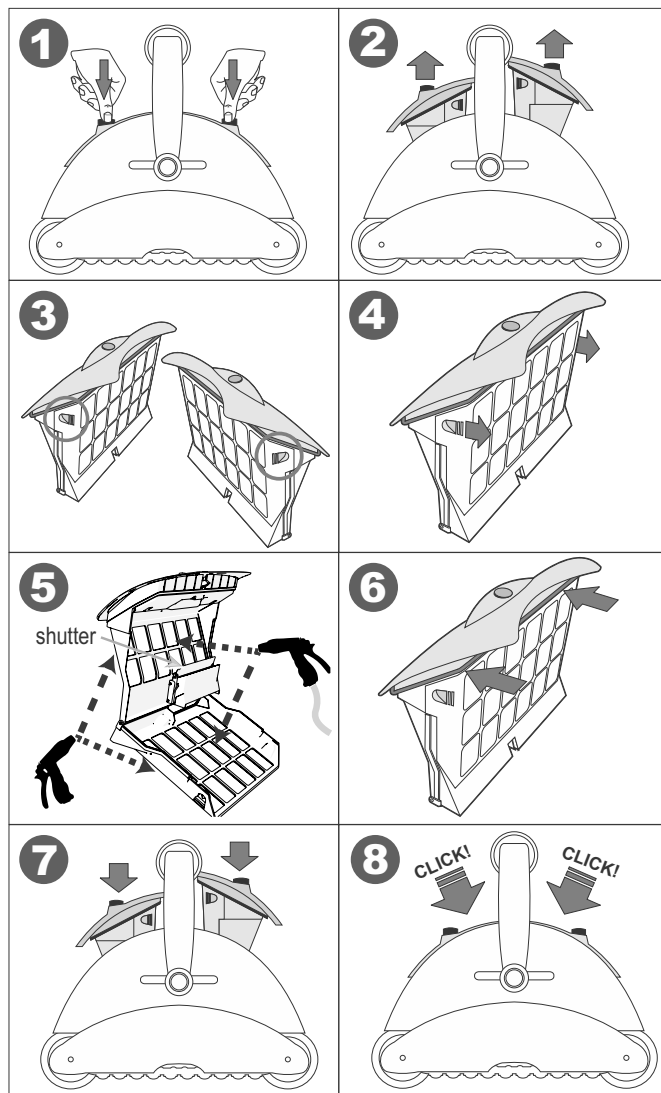
Extracción del limpiafondos del agua

1. Desconecte el cable flotante de la unidad de alimentación y control.
2. Tire hacia arriba el cable flotante para acercar la unidad del limpiafondos hasta que sea posible agarrar el asa.
3. Agarrando el asa, levante el limpiafondos para extraerlo de la piscina.

Precaución: No utilice el cable flotante para extraer el limpiafondos fuera del agua.



Mantenimiento



Filtros de limpieza

Los dos filtros deben limpiarse después de cada ciclo de limpieza.

1. Suelte el filtro y sáquelo del limpiafondos. (1), (2)
2. Tire de la puerta del filtro contra la carcasa del filtro para abrir la caja del filtro. (3), (4)
3. Rocíe agua sobre los lados exteriores del filtro y luego hacia el lado interno del filtro para limpiar toda la suciedad y los escombros. (5)
4. Compruebe que el obturador de plástico pequeño (2) esté en su lugar y no esté roto. (6)
5. Introduzca el filtro en su lugar hasta oír un clic para asegurarlo. (7), (8)

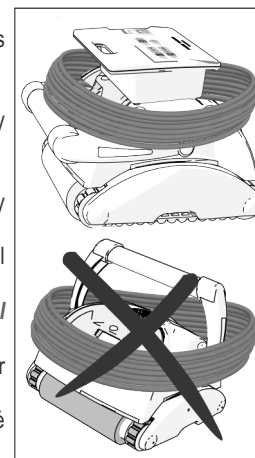
Almacenamiento del robot limpiafondos

Siga estas instrucciones para almacenar el robot limpiafondos cuando no esté en uso:

1. Desconecte el cable de alimentación de la toma de la pared.
2. Desconecte el cable flotante de la unidad de alimentación y control.
3. Extienda el cable flotante y elimine los enredos del cable.
4. Limpie el espacio interior del limpiafondos con agua limpia y deje que se seque.
5. Enrolle el cable flotante y colóquelo en la unidad del limpiafondos.

Precaución: No enrolle el cable flotante en el asa del limpiafondos.

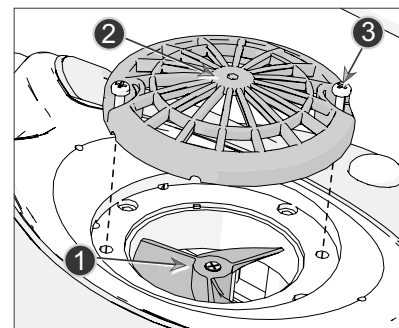
6. Guarde los componentes del robot limpiafondos en un lugar seco y cerrado.
7. Compruebe que la unidad de alimentación y control no esté expuesta al agua.



Comprobación de la hélice de salida de agua

Se recomienda limpiar periódicamente la suciedad y los pelos de la hélice de salida de agua:

1. Retire los tornillos (3) que sujetan la cubierta de la salida de agua.
2. Retire la cubierta de la salida de agua (2).
3. Limpie cualquier pelo, suciedad o residuo.
4. Compruebe que la hélice (1) no esté rota.
5. Vuelva a colocar la cubierta (2) y fíjela con los tornillos (3).



Este capítulo examina las opciones de programación. Saltee este capítulo si su modelo no es programable o si el limpiador robótico ya está programado.

Aquacontrol



check filter
chèque filtre
filter überprüfen
controllare il sacchetto filtrante
revise el filtro



cleaning time
temps de nettoyage
reinjungszeit
tempo di pulizia
tiempo de limpieza



2.0H



1.5H

Aquacontrol

Cleaning program
Mode nettoyage
Programa de limpeza
Reinigungsprogramm
Programma di pulizia
Programa de limpeza

Internal timer
Minuterie interne
Temporizador interno
Interne Zeitschaltuhr
Timer interno
Temporizador interno

Check filter
Vérifiez le filtre
Revise el filtro
Filter überprüfen
Controllare il sacchetto filtrante
Verifique o Filtro

External timer
Minuterie externe
Temporizador externo
Externe Zeitschaltuhr
Timer esterno
Temporizador externo

PROGRAM 03

PROGRAM 02

PROGRAM 01

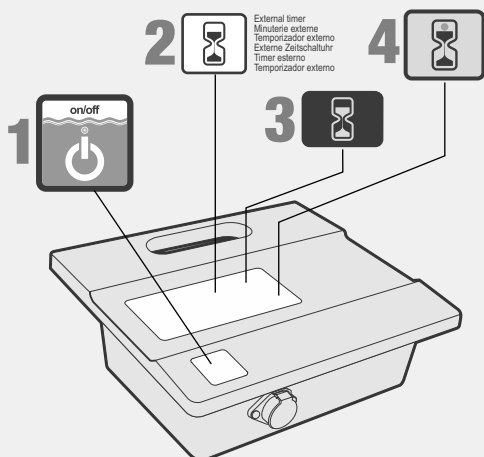
96h

72h

48h

SPS 100

SPS 200



Panel de control

El panel de control se compone de:

- Encendido/apagado (1): inicia y detiene el funcionamiento del robot limpiafondos.
- Descripción de la función (2): describe la función.
- Botones de control (3): marcados en azul, permiten seleccionar la función correspondiente.
- Pantalla de estado (4): el LED indicador se enciende para mostrar la opción seleccionada o el estado del limpiafondos.

Aquacontrol

Swivel
Pivot
Drehlager
Manopola di disattorcigliamento
Swivel

Cleaning program
Mode nettoyage
Programa de limpeza
Reinigungsprogramm
Programma di pulizia
Programa de limpeza

Internal timer
Minuterie interne
Temporizador interno
Interne Zeitschaltuhr
Timer interno
Temporizador interno

Check filter
Vérifiez le filtre
Revise el filtro
Filter überprüfen
Controllare il sacchetto filtrante
Verifique o Filtro

External timer
Minuterie externe
Temporizador externo
Externe Zeitschaltuhr
Timer esterno
Temporizador externo

PROGRAM 03

PROGRAM 02

PROGRAM 01

SPS 300

Aquacontrol

Auto detect
Auto detection
Auto detección
Automatische Erkennung
Auto diagnosi
Detección automática

Swivel
Pivot
Drehlager
Manopola di disattorcigliamento
Swivel

Internal timer
Minuterie interne
Temporizador interno
Interne Zeitschaltuhr
Timer interno
Temporizador interno

External timer
Minuterie externe
Temporizador externo
Externe Zeitschaltuhr
Timer esterno
Temporizador externo

Poöl shape
Forme de piscine
Forma da piscina
Beckenform
Forma piscine
Forma da piscina

Cleaning program
Mode nettoyage
Programa de limpeza
Reinigungsprogramm
Programma di pulizia
Programa de limpeza

Check filter
Vérifiez le filtre
Revise el filtro
Filter überprüfen
Controllare il sacchetto filtrante
Verifique o Filtro

HIGH

NORMAL

PROGRAM 03

PROGRAM 02

PROGRAM 01

SPS 400

Aquacontrol

Auto detect
Auto detection
Auto detección
Automatische Erkennung
Auto diagnosi
Detección automática

Swivel
Pivot
Drehlager
Manopola di disattorcigliamento
Swivel

Cleaning Level
Niveau de Nettoyage
Nível de Limpeza
Reinigungsstufe
Livello di pulizia
Nível de Limpeza

Delay
Retard
Verzögerung
Ritardo
Atraso

Poöl shape
Forme de piscine
Forma da piscina
Beckenform
Forma piscine
Forma da piscina

Cleaning program
Mode nettoyage
Programa de limpeza
Reinigungsprogramm
Programma di pulizia
Programa de limpeza

Check filter
Vérifiez le filtre
Revise el filtro
Filter überprüfen
Controllare il sacchetto filtrante
Verifique o Filtro

HIGH

NORMAL

PROGRAM 03

PROGRAM 02

PROGRAM 01

SPS 500

100/200
300/400
500

**Revise el filtro**

- Cuando se enciende la luz, significa que debe quitarse la bolsa del filtro, limpiarse y volverse a colocar en el robot para una operación eficaz.

En los modelos 300, 400, 500 – el limpiador robótico dejará de subir las paredes una vez que se ilumine Revisar Filtro

100

**Tiempo de limpieza**

- Tiempo necesario para limpiar la piscina. Apriete el botón para seleccionar el tiempo deseado. La selección será indicada mediante una luz roja. **Esta función sólo se puede seleccionar cuando el suministro de energía en modo standby**

200
300/400

**Temporizador interno- Opciones de operación automática:**

Cada 48 horas

Cada 72 horas

Cada 96 horas

200/300

**Selección de programa de limpieza:**

Programa 01- 1 hora limpieza de paredes y suelo.

Programa 02- 1,5 horas limpieza de paredes y suelo.

Programa 03- 2 horas limpieza de paredes y suelo.

400

**Selección de programa de limpieza:**

Programa 01- 1,5 horas limpieza de suelo.

Programa 02- 2 horas limpieza de paredes y suelo.

Programa 03- 2,5 horas limpieza de paredes y suelo.

500

**Selección de programa de limpieza:**

Programa 01 – 2 horas limpieza de suelo.

Programa 02 – limpieza de 4 horas, fondo y paredes. (en determinados modelos no está disponible la limpieza de paredes)

Programa 03 – limpieza de 5 horas, fondo y paredes. (en determinados modelos no está disponible la limpieza de paredes)

200
300/400

**Temporizador externo-**

Esta característica le brinda al usuario final la opción de programar los tiempos de limpieza a través de un temporizador externo (de venta por separado). Al pulsar éste botón se habilita o inhabilita ésta característica.

300/400
500

**Vueltas-** ajusta al robo la cantidad de vueltas a la piscina.

Normal- operación normal

Alto- Cantidad diferente de vueltas

400/500



Detección automática: Ésta característica previene que el robot se trabe en obstáculos en la piscina tales como desagües principales, escaleras, escaleras de mano, etc. Presione éste botón para seleccionar alguna de las siguientes opciones:



Apagar la detección automática (OFF). Ésta opción se debe seleccionar si se observa cambio de dirección del limpiador de piscinas en la mitad de la piscina sin haber hecho contacto con obstáculo alguno.



Encender la detección automática (ON). El limpiador de piscinas debe cambiar de dirección al hacer contacto con ciertos obstáculos. Seleccione ésta opción cuando la piscina tiene obstáculos tales como sistemas limpiadores de piso, desagües principales y escaleras.

400/500



Forma de la piscina:

Permite que el robot calcule el patrón de limpieza más eficiente para la forma de la piscina seleccionada. Presione el botón para seleccionar el dibujo que más se ajusta a la forma de la piscina. Una luz roja indica su selección.

500



Nivel de limpieza – Escoja el modo de limpieza



Rápida: seleccione si su piscina tiene poca suciedad



Regular: seleccione para mantenimiento diario



Profunda: seleccione si su piscina tiene mucha suciedad

500

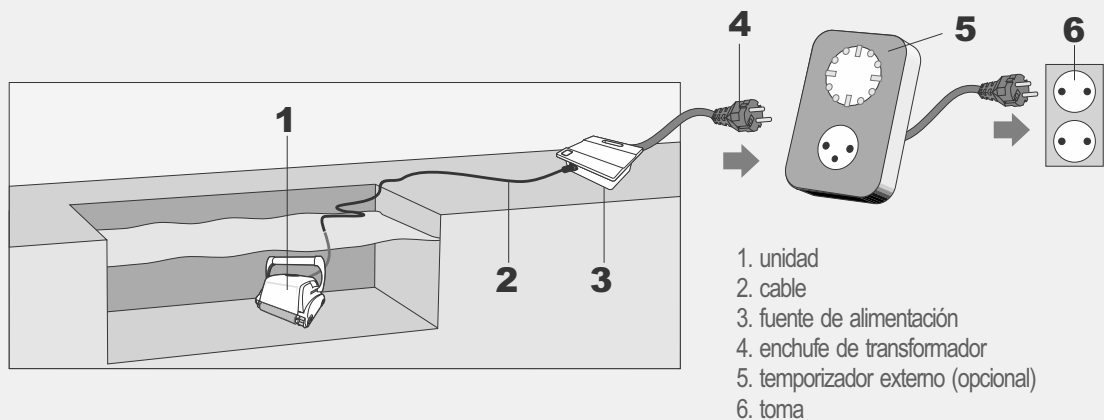


Retraso

Cuando esta opción está encendida, el robot comenzará a funcionar después de 2 horas.

Esta función permite que la suciedad y el polvo se depositen en el fondo de la piscina antes de que el robot comience el ciclo de limpieza.

Temporizador externo



1. unidad
2. cable
3. fuente de alimentación
4. enchufe de transformador
5. temporizador externo (opcional)
6. toma

Uso de temporizador externo
(opcional, debe comprarse por separado)

Un temporizador externo puede utilizarse para activar automáticamente el limpiador en un horario preestablecido. El temporizador externo debe conectarse entre la toma de la pared y la unidad de alimentación y Control

Solución de problemas

EL LIMPIAFONDOS NO SE ENCIENDE.

No hay electricidad en la toma de pared.

1. Desconecte el limpiafondos de la unidad de alimentación y control.
2. Desconecte la fuente de alimentación de la toma de pared, espere 30 segundos y vuelva a conectarla.
3. Encienda el limpiafondos. Si no se activa, conecte la unidad a un enchufe diferente.

El cable flotante no está conectado correctamente a la unidad de alimentación y control.

Vuelva a conectar el cable flotante a la unidad de potencia y control.

Hay un obstáculo en el sistema motor de la unidad del limpiafondos.

1. Encienda el limpiafondos con cuidado para ver su parte inferior.
2. Gire las guías y escobillas de fregado con la mano. Deben girar, pero no libremente.
3. Limpie y elimine los obstáculos y la suciedad si es necesario.

La hélice está agarrada debido a la acumulación de pelos.

Compruebe si la hélice está rota o necesita limpiarse (véase "Comprobación de la hélice de salida de agua").

EL LIMPIAFONDOS SE MUEVE PERO NO BOMBEA AGUA.

Los filtros están sucios.

1. Retire los filtros
2. Haga funcionar el robot limpiafondos en la piscina sin los filtros. Si funciona correctamente, limpie a fondo los filtros o sustitúyalos.

La hélice está rota o agarrada debido a la acumulación de pelos.

Compruebe si la hélice está rota o necesita limpiarse (véase "Comprobación de la hélice de salida de agua").

EL LIMPIAFONDOS BOMBEA AGUA PERO NO SE MUEVE.

Hay un obstáculo en el sistema motor de la unidad del limpiafondos.

1. Encienda el limpiafondos con cuidado para ver su parte inferior.
2. Gire las guías y escobillas de fregado con la mano. Deben girar, pero no libremente.
3. Limpie y elimine los obstáculos y la suciedad si es necesario.

EL LIMPIAFONDOS SE INICIA Y SE APAGA TRAS UN BREVE PERIODO DE TIEMPO.

Los filtros están sucios.

1. Extraiga los filtros.
2. Haga funcionar el robot limpiafondos sin los filtros. Si funciona correctamente, limpie los filtros a fondo o sustitúyalos.

La hélice está rota o agarrada debido a la acumulación de pelos.

1. Retire los tornillos superiores en la salida superior.
2. Compruebe si la hélice está rota o necesita limpiarse."

Hay un obstáculo en el sistema motor de la unidad del limpiafondos.

1. Encienda el limpiafondos con cuidado para ver su parte inferior.
2. Gire las guías y escobillas de fregado con la mano. Deben girar, pero no libremente.
3. Limpie y elimine los obstáculos y la suciedad si es necesario.

EL LIMPIAFONDOS NO RECOGE LA SUCIEDAD.

Los filtros están sucios o tienen agujeros.

Limpie según sea necesario y verifique que no haya agujeros en los filtros.

La hélice está rota o agarrada debido a la acumulación de pelos.

Compruebe si la hélice está rota o necesita limpiarse (véase "Comprobación de la hélice de salida de agua").

La entrada de aspiración no está lo suficientemente cerca del fondo de la piscina.

Desplace la entrada de aspiración HACIA FUERA (consulte "Ajuste de la altura de aspiración").

SALE SUCIEDAD DEL LIMPIAFONDOS AL SACARLO DE LA PISCINA.

El obturador del filtro está roto o no está colocado.

Abra los filtros y compruebe que el obturador del filtro no esté roto y funcione correctamente (véase "Limpieza de los filtros")

Hay orificios de los filtros.

Abra los filtros y compruebe que no haya ningún orificio en las mallas del filtro (véase "Limpieza de los filtros")

La tapa inferior no está correctamente cerrada.

Asegúrese de que la tapa inferior esté bien cerrada.

Solución de problemas

EL LIMPIAFONDOS NO CUBRE TODA LA PISCINA.

Los filtros están sucios.

Limpie los filtros.

No hay suficiente longitud del cable flotante en el agua para llegar al otro extremo de la piscina, o el cable está enredado.

1. Compruebe que haya suficiente longitud de cable flotante en el agua para llegar al otro extremo de la piscina.
2. Asegúrese de que el cable flotante esté correctamente extendido y no esté enredado."

El ángulo del asa flotante afecta el movimiento del limpiafondos.

Aumente el ángulo diagonal del asa flotante (véase "Asa flotante").

El nivel del pH de la piscina es incorrecto.

Asegúrese que el nivel de pH esté entre 7,2 y 7,6.

El nivel de cloro es incorrecto.

Compruebe el tratamiento de cloro del agua y corríjalo si es necesario (extraiga el limpiafondos de la piscina durante el tratamiento.)

La hélice está rota o agarrotada debido a la acumulación de pelos.

1. Retire los tornillos superiores en la salida superior.
2. Compruebe si la hélice está rota o necesita limpiarse."

Hay un obstáculo en el sistema motor de la unidad del limpiafondos.

1. Encienda el limpiafondos con cuidado para ver su parte inferior.
2. Gire las guías y escobillas de fregado con la mano. Deben girar, pero no libremente.
3. Limpie y elimine los obstáculos y la suciedad si es necesario.
Comprobación de la hélice de salida de agua

EL LIMPIAFONDOS NO TREPA POR LAS PAREDES.

El limpiafondos no trepa por las paredes de la piscina.

1. Verifique que su robot limpiafondos no es un modelo sólo para el fondo.
2. Compruebe que no se haya seleccionado la opción P1 (limpieza solamente del fondo) en la unidad de alimentación y control (véase "Programación del robot limpiafondos").

Los filtros están sucios.

Limpie los filtros.

La hélice está rota o agarrotada debido a la acumulación de pelos.

Compruebe si la hélice está rota o necesita limpiarse (véase "Comprobación de la hélice de salida de agua").

El nivel de pH es incorrecto.

Asegúrese de que el pH esté entre 7,2 y 7,6.

El nivel de cloro es incorrecto.

Compruebe el tratamiento de cloro del agua (extraiga el limpiafondos de la piscina durante el tratamiento).

La temperatura del agua no es óptima.

La temperatura recomendada es de entre 22° C a 32° C.

EL CABLE ESTÁ ENREDADO.

Los filtros están sucios.

Limpie los filtros.

La tapa inferior no está correctamente cerrada.

Asegúrese de que la tapa inferior esté bien cerrada.

El cable no se ha extendido antes de poner el limpiafondos en la piscina.

Asegúrese de que el cable flotante esté correctamente extendido y no se enrede antes de hacer funcionar el robot limpiafondos.

La longitud del cable en el agua es demasiado larga.

Compruebe que la longitud del cable en el agua sea igual a la longitud de la diagonal de la piscina más dos metros.

La hélice está rota o agarrotada debido a la acumulación de pelos.

Compruebe si la hélice está rota o necesita limpiarse (véase "Comprobación de la hélice de salida de agua").

EL MANDO A DISTANCIA NO FUNCIONA.

La batería está vacía. El LED parpadea o está apagado.

Compruebe la batería presionando uno de los botones. La luz roja del mando a distancia no parpadea o permanece encendida continuamente si la batería está vacía. Póngase en contacto con su distribuidor o centro de servicio técnico.

Mando a distancia (opcional)

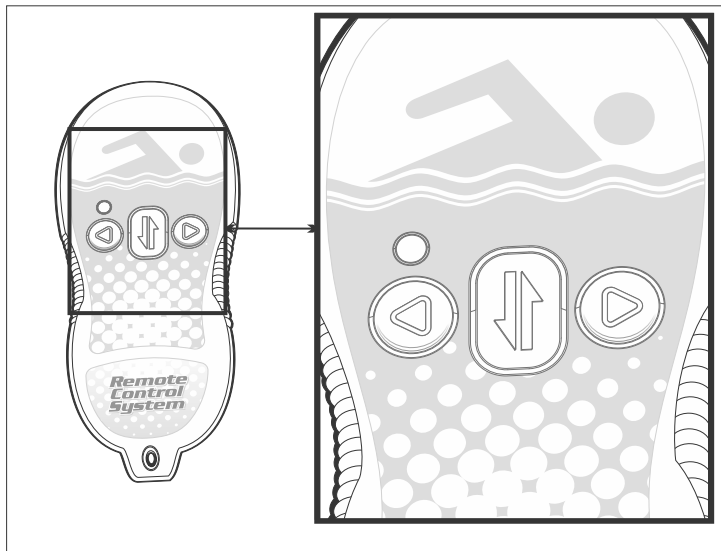
En este capítulo se examina el funcionamiento de la unidad de mando a distancia opcional. El mando a distancia está incluido en algunos modelos.

Descripción general del mando a distancia

El mando a distancia es una función opcional que permite controlar el robot limpiafondos mediante los botones de instrucciones. Al pulsar los botones del mando a distancia, se transmite una señal de radio a la unidad de alimentación y control. Esta señal es transferida a una orden enviada al robot limpiafondos a través del cable flotante.

Uso del mando a distancia

1. Pulse el botón derecho (3) para encender el robot limpiafondos. El robot limpiafondos continuará girando a la derecha hasta que se suelte el botón.
2. Presione el botón izquierdo (1) para girar el robot limpiafondos hacia la izquierda. El robot limpiafondos continuará girando a la izquierda hasta que se suelte el botón.
3. El LED del mando a distancia se enciende después de cada orden. Si el LED no responde o está parpadeando, reemplace la batería.



Carrito (opcional)

El carrito es un accesorio opcional que facilita el traslado del robot limpiafondos, el cable flotante y la unidad de alimentación y control de un lugar a otro.

Montaje del carrito

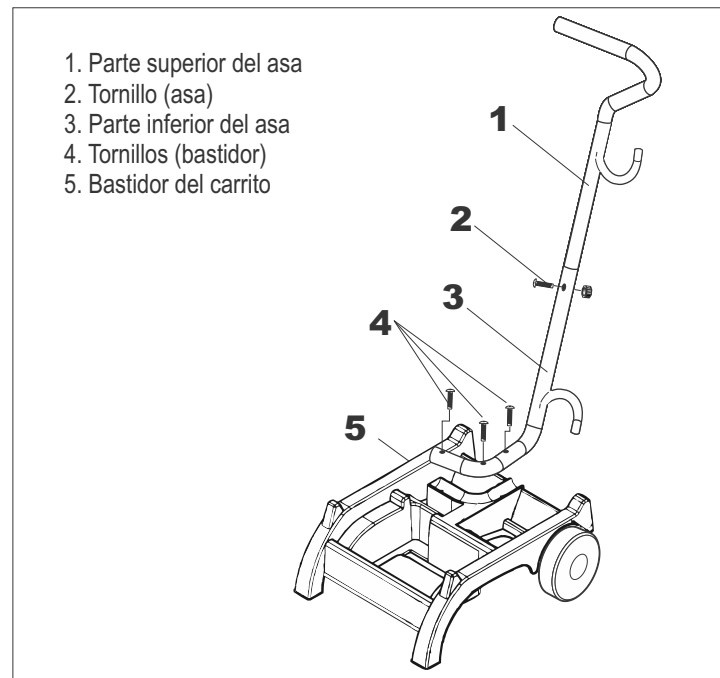
Para ensamblar el carrito, necesita un destornillador y una llave de 8 mm.

Conectar el asa del carrito

1. Sujete la parte inferior del asa (3) al bastidor del carrito (5) con los tres tornillos (4) y las tuercas.
2. Conecte la parte superior del asa (1) a la parte inferior del asa (3) utilizando el tornillo (2) y la tuerca.

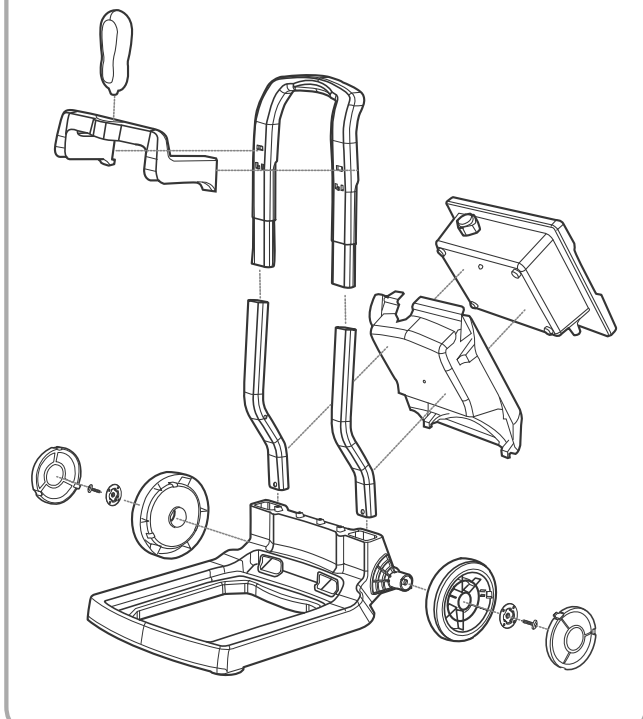
Carga del robot limpiafondos en el carrito

1. Coloque la unidad del limpiafondos en la base del carrito.
2. Enrole el cable flotante y colóquelo en la unidad del limpiafondos.
3. Coloque la unidad de alimentación y control sobre la bobina de cable flotante.

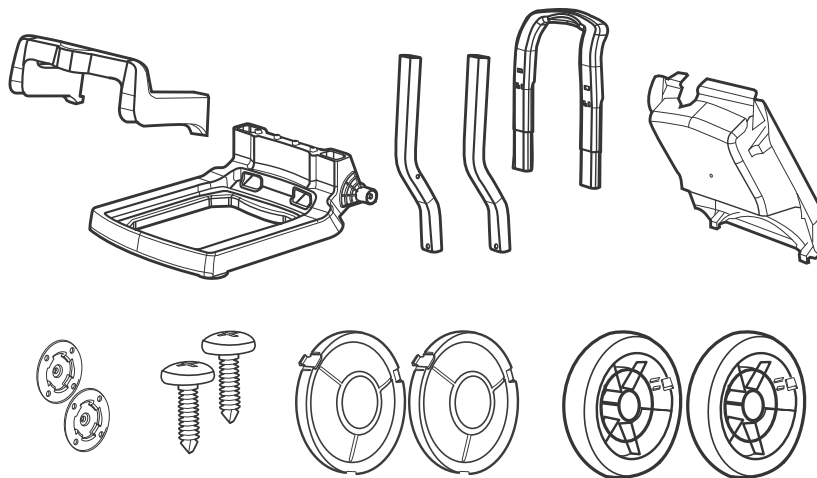


Carretilla (opcional)

Montaje de la carretilla



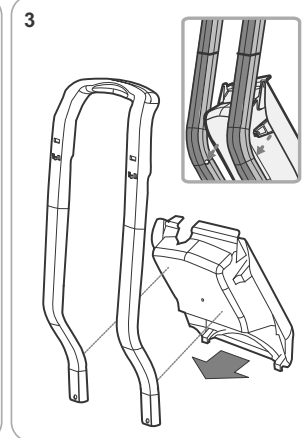
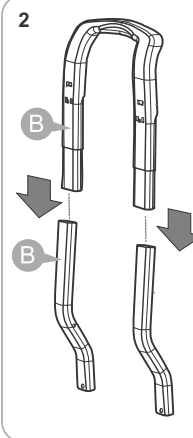
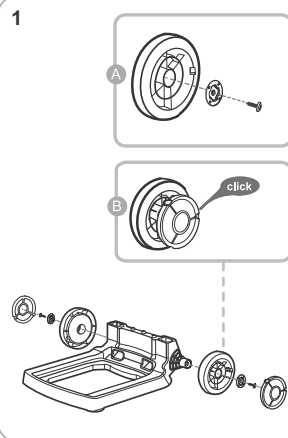
Componentes



La carretilla es un accesorio opcional que facilita el traslado del robot limpiafondos y proporciona un lugar de montaje para la unidad de alimentación y control.

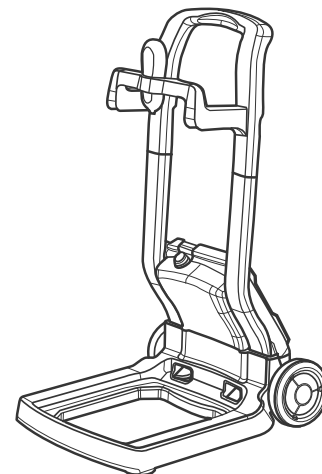
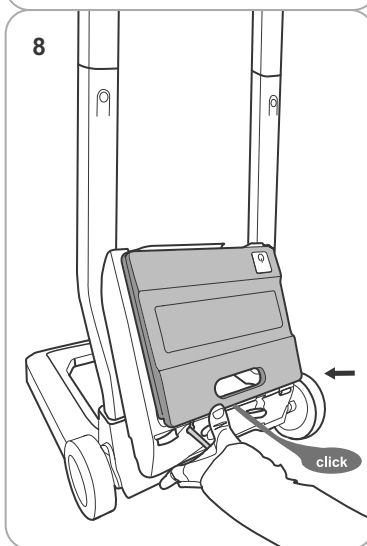
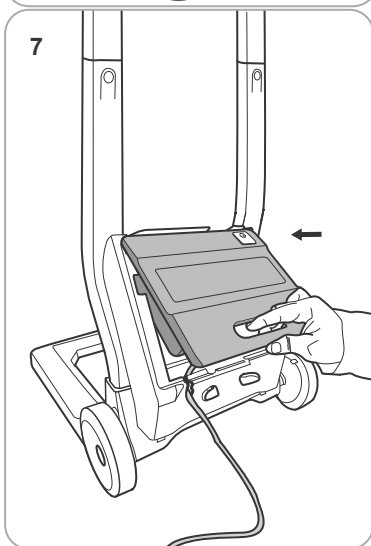
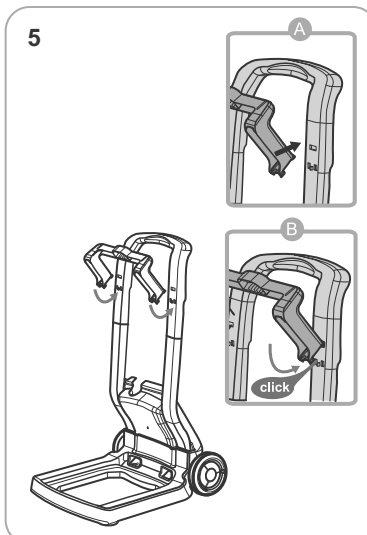
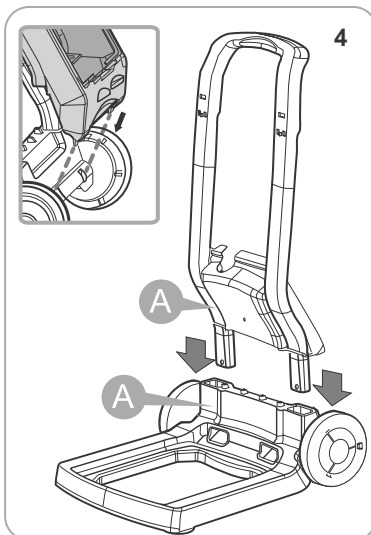
Para montar la carretilla:

1. Coloque las ruedas a ambos lados de la base de la carretilla.
2. Fije cada rueda con el tornillo y coloque la tapa.
3. Monte las dos secciones del asa.



Carretilla (opcional)

4. Inserte el asa en la base de la carretilla. Haga clic en las pestañas inferiores de la unidad de alimentación y control en la base de la carretilla.
5. Fije el soporte del mando a distancia insertando la parte superior en el asa de la carretilla y girando el soporte hacia abajo hasta que la parte inferior encaje.
6. Coloque el cable de la unidad de alimentación y control en la ranura de la base de la carretilla.
7. Conecte la unidad de alimentación y control haciendo clic en las pestañas superiores en los orificios del asa.
8. Coloque la parte superior de la unidad de alimentación y control en el alojamiento y presione la parte inferior hacia abajo hasta que encaje en la base de la carretilla.



Inhalt

Wichtige sicherheitshinweise

Einführung

Systemübersicht
Wie der Robotische Reiniger Ihr Schwimmbecken reinigt
Betriebsbedingungen

Komponenten

Der robotische Reiniger
Strom- und Steuereinheit

Betrieb

Vor der ersten Inbetriebnahme
Bevor Sie den Reiniger ins Wasser lassen
Absetzen des Reinigers ins Wasser
Reinigungszyklus
Den Betrieb des robotischen Reinigers anhalten
Den Reiniger aus dem Wasser ziehen

Wartung

Reinigung der Filter
Lagerung des robotischen Reinigers
Überprüfen des Wasserauslass-Propellers

Programmieroptionen

Steuerkonsole
Einblendungstasten
Externen Timer

Fehlerbeseitigung

Fernbedienung

Übersicht Fernbedienung
Verwendung der Fernbedienung

Transportbehälter (optional)

Montage des Transportbehälters
Anbringung des Transportbehältergriffs
Laden des robotischen Reinigers auf den Transportbehälter

Transportwagen (optional)

Komponenten
Montage des Transportwagens

WICHTIGE SICHERHEITSHINWEISE

BITTE LESEN UND BEFOLGEN SIE ALLE ANWEISUNGEN

ACHTUNG: Schließen Sie die Stromversorgung nicht an eine geerdete Steckdose an oder schalten Sie nicht den Schwimmbeckenreiniger auf "ON (AN)", wenn er nicht vollständig im Wasser eingetaucht ist. Das Betätigen des Reinigers außerhalb des Wassers führt sofort zu ernsthaften Schäden und zum Verlust der Garantie.

Belassen Sie den Reiniger im Schwimmbecken zwischen 15 und 20 Minuten bis zum Ende seines Reinigungszyklus. Dadurch werden die Motoren ausreichend gekühlt. Belassen Sie den Reiniger aber nicht die ganze Zeit im Schwimmbecken. Denken Sie immer daran, die Stromversorgung auf "OFF (AUS)" zu schalten und den Stromanschluss aus der Netzsteckdose zu ziehen, bevor Sie den Reiniger aus dem Schwimmbecken entfernen.

VORSICHT: Verwenden Sie Ihren Reiniger nur für Schwimmbecken und verwenden Sie ihn nicht, während sich Menschen im Wasser befinden.

Sicherheitshinweis

- Das Gerät muss mit einem Fehlerstromschutzschalter (RCD) ausgestattet sein, der einen restlichen Nennbetriebsstrom von 30 mA nicht überschreitet.
- Der Anschluss zum Abzweigstromkreis sollte mit den örtlichen und nationalen Verdrahtungsvorschriften (Sicherheitsstandard für Elektroinstallationen) übereinstimmen.
- Falsche Bedienung des Gerätes kann zum Auslaufen von Schmiermitteln führen.
- Sollte das Netzkabel beschädigt sein, muss es von einem Wartungsservice des Herstellers oder einer qualifiziert-ausgebildeten Person ersetzt werden, um Gefahren zu vermeiden.



Der Umgang mit diesem Elektrogerät ist für Personen (einschließlich Kinder) mit körperlichen, sensorischen oder geistigen Einschränkungen, oder mit mangelnden Erfahrungen und Kenntnissen nicht geeignet, außer wenn sie beim Umgang mit dem Gerät von einer für ihre Sicherheit verantwortlichen Person beaufsichtigt und angeleitet werden. Kinder sollten beaufsichtigt werden, um das Spielen mit dem Elektrogerät zu verhindern.



VORSICHT: Ein Erdschlussstromunterbrecher (GFCI-USA) oder ein Fehlerstromschutzschalter (RCD-EUROPE) muss installiert werden, um Ihre Steckdose zu schützen und mögliche Stromschläge zu verhindern.

BEWAHREN SIE DIESE ANWEISUNGEN

Einführung

Systemübersicht

Der robotische Reiniger säubert den Boden und die Wände des Schwimmbeckens, um Schmutz und Verunreinigung in seinen internen Filtern zu sammeln. Diese Bedienungsanleitung erklärt, wie man den robotischen Reiniger einschließlich Reinigung, Wartung und Lagerung bedient.

Hinweis: Diese Anleitung bespricht mehrere Modelle von robotischen Reinigern. Einige Variationen von Komponenten sind gemäß dem spezifischen Modell vorhanden.

Wie der Robotische Reiniger Ihr Schwimmbecken reinigt

Nachdem der robotische Reiniger im Schwimmbecken platziert und aktiviert wurde, arbeitet er das Programm ab, das auf der Strom- und Steuereinheit eingestellt wurde. Der robotische Reiniger bewegt sich entlang des Bodens und der Wände des Schwimmbeckens, um den vollständigen Bereich abzudecken. Wenn der robotische Reiniger sein Programm beendet hat, verbleibt er inaktiv auf dem Schwimmbeckenboden.

Hinweis: Das Wändeklettern ist eine optionale Funktion. Ist die Wändekletterfunktion aktiviert, steigt der robotische Reiniger in Intervallen die Wand hoch, die durch sein internes Programm festgelegt wurden. Die Fähigkeit des Reinigers im Schwimmbecken über Stufen zu klettern, hängt von der Stufengeometrie und dem Material ab.

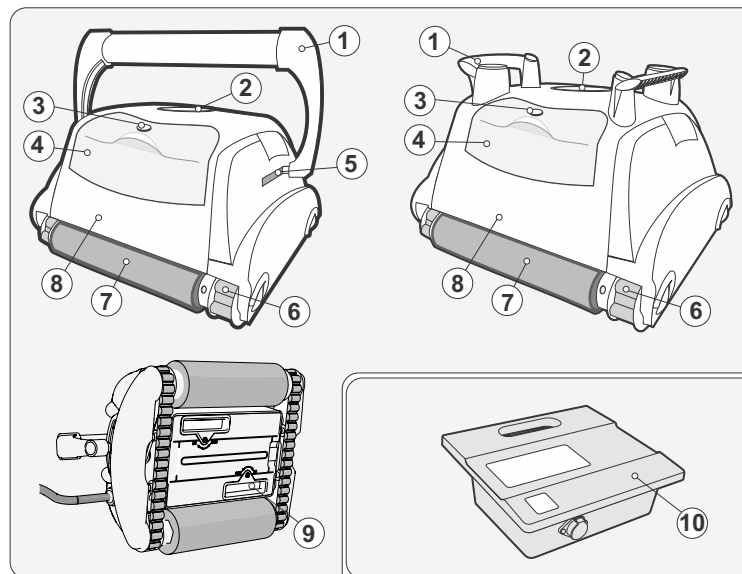
Betriebsbedingungen

Der robotische Reiniger ist ausschließlich für den Einsatz in Schwimmbecken unter folgenden Bedingungen geeignet:

- Temperaturen von 13 °C - 35 °C (55 °F - 95 °F), empfohlene Temperatur zwischen 22 °C - 32 °C (72 °F - 90 °F).
- Wasser pH: 7,2 - 7,6
- Chlorgehalt: das Schwimmbecken wird entsprechend der Herstellerangaben instandgehalten.

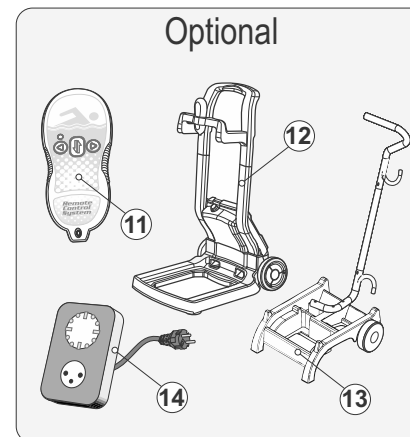
Hinweis: Werden diese empfohlenen Betriebsbedingungen für das Schwimmbecken nicht eingehalten, könnte der robotische Reiniger nicht richtig funktionieren.

Komponenten



- 1) Griff
- 2) Auslassdeckel
- 3) Entriegelung für den Filter
- 4) Oberer Zugang zum Filter
- 5) Verriegelungsmechanismus des Griffs
- 6) Antriebsführung
- 7) Reinigungsbürste
- 8) Gerätegehäuse
- 9) Saugöffnung
- 10) Netzteil

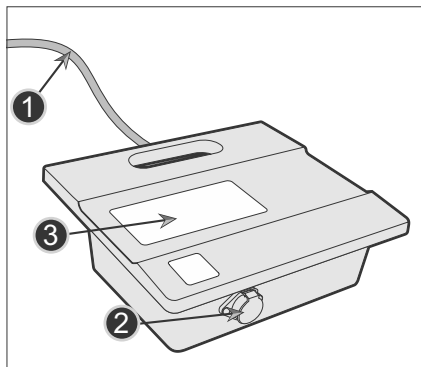
- OPTIONAL
- 11) Fernbedienung
 - 12) Transportbehälter
 - 13) Transportwagen
 - 14) Externer Timer (separat verkauft)



Komponenten

Strom- und Steuereinheit

Die Strom- und Steuereinheit ist mit dem robotischen Reiniger durch ein Schwimmkabel verbunden. Das Gerät wird mit Wechselstrom (1) gespeist und versorgt den Reiniger mit Niederspannung und Befehlen aus der Steckdose (2).



Es besitzt eine Steuerkonsole (3) mit verschiedenen Steuerfunktionen, um den robotischen Reiniger zu bedienen.

Inhalt der Verpackung

Der robotische Reiniger befindet sich in einer Verpackung mit folgendem Inhalt:

- Robotischer Reiniger und Schwimmkabel
- Strom- und Steuereinheit
- Bedienungsanleitung

Gemäß dem gekauften Modell können folgende Zubehörteile im Paket enthalten sein:

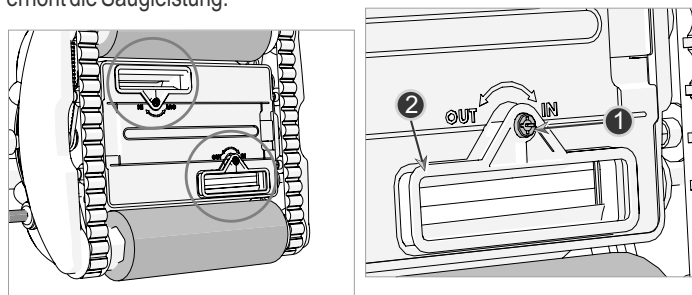
- Fernbedienung
- Transportbehälter
- Transportwagen
- Weiteres Zubehör

Betrieb

Vor der ersten Inbetriebnahme

Einstellung der Saughöhe: Die Positionierung der Saugöffnung (2) nahe der Schwimmbecken-Oberfläche erhöht die Saugleistung und die Reinigungsqualität. Das Senken der Saugöffnung könnte zur Interferenz mit Hindernissen auf dem Boden oder den Wänden des Schwimmbeckens führen. Verwenden Sie einen Schraubenzieher, um den Einstellknopf der Saugöffnung (1) zu justieren.

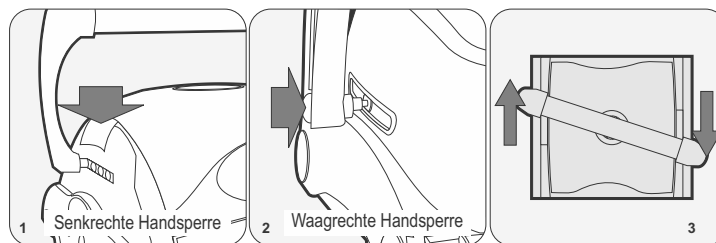
- IN – bewegt die Saugöffnung von der Schwimmbecken-Oberfläche weg und vermindert die Saugleistung.
- OUT – bewegt die Saugöffnung näher zur Schwimmbecken-Oberfläche und erhöht die Saugleistung.



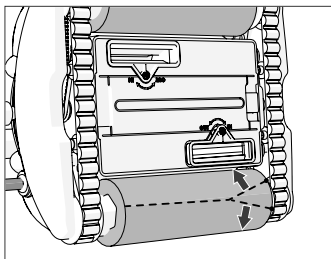
Einstellung des Gleitgriffs

Einstellung des Gleitgriffs bei Modellen mit Wändekletterfunktion:

1. Drücken Sie die Verriegelungstaste (1 oder 2 gemäß Modell), um den Verriegelungsgriff zu lösen.
2. Platzieren Sie den Griff (3) diagonal an der maximalen Position.
3. Wiederholen Sie die Schritte 1 und 2 auf der anderen Seite des Roboters.



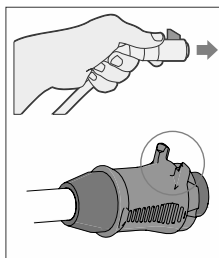
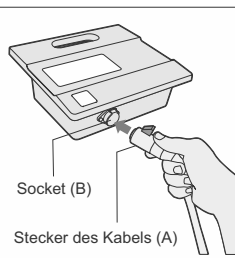
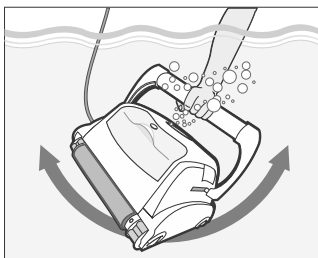
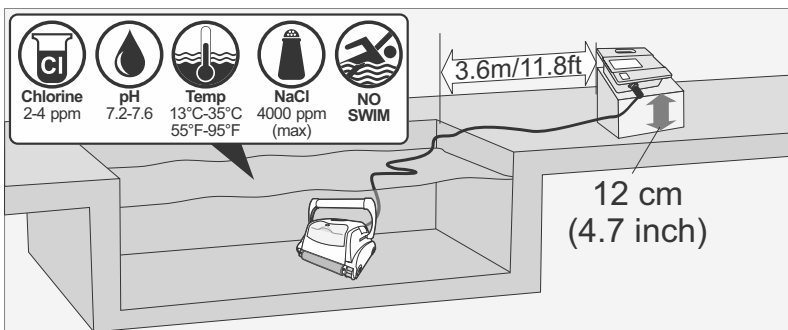
Betrieb



Entfernen der Bürstenabdeckungen

Der robotische Reiniger wird mit einer Schutzabdeckung auf den Reinigungsbürsten versendet. Entfernen Sie vorsichtig die Nylonhüllen von den Reinigungsbürsten.

VORSICHTSMASSNAHMEN: Verwenden Sie keine scharfen Werkzeuge, um die Abdeckung zu entfernen, da sonst die Bürsten beschädigt werden könnten.



Platzierung der Strom- und Steuereinheit

4. Platzieren Sie die Strom- und Steuereinheit mindestens 3,6 Meter/11,8 Fuß vom Schwimmbecken und mindestens 12 cm/4 Zoll über der Oberfläche.

VORSICHTSMASSNAHMEN: Die Strom- und Steuereinheit sollte keinem direkten Sonnenlicht oder Wasser ausgesetzt sein.

5. Lösen Sie das Schwimmkabel vom den Plastikbändern, die die Kabel während des Versandes sichern, indem Sie die Plastikschnapper auf den Bändern drücken.

Bevor Sie den Reiniger ins Wasser lassen:

1. Achten Sie darauf, dass sich keine Personen im Schwimmbecken befinden.
2. Achten Sie darauf, dass die Filter sauber sind.
3. Achten Sie auf die Einhaltung der Bedingungen für Schwimmbecken; (siehe "Betriebsbedingungen").

Absetzen des Reinigers ins Wasser

1. Rollen Sie das Schwimmkabel ab. Es wird empfohlen, die Kabellänge zu verlängern, damit sie der Schwimmbeckendiagonale plus 2 Meter entspricht.
2. Setzen Sie den Reiniger im Schwimmbecken ab.
3. Lassen Sie den Reiniger auf den Grund des Schwimmbeckens sinken. Fangen Sie nicht mit dem Betrieb an, bevor sich der robotische Reiniger auf den Schwimmbeckenboden abgesetzt hat.
4. Verteilen Sie das Schwimmkabel über das Schwimmbecken. Achten Sie darauf, dass nur die erforderliche Kabellänge über das Schwimmbecken verteilt wird. Glätten Sie Windungen oder Verdrehungen im Kabel. Rollen Sie Extrakabel außerhalb des Schwimmbeckens in der Nähe von der Strom- und Steuereinheit auf.
5. Verbinden Sie das Schwimmkabel (A) mit der Anschlussbuchse (B) auf der Strom- und Steuereinheit.

VORSICHTSMASSNAHMEN: Das Betätigen des Roboters außerhalb des Wassers führt sofort zu ernsthaften Schäden und zum Verlust der Garantie.

Betrieb

Inbetriebnahme des robotischen Reinigers

Schließen Sie die Strom- und Steuereinheit an die Steckdose an. Die Betriebs-LED (1) leuchtet auf und der robotische Reiniger fängt mit seinem Reinigungsprogramm an.

Wenn die Strom- und Steuereinheit bereits an die Netzsteckdose angeschlossen ist, blinkt die Betriebs-LED (5) auf, um anzuzeigen, dass der robotische Reiniger im Standby-Modus ist.

Drücken Sie die Bedientaste (6). Die Betriebs-LED leuchtet auf und der robotische Reiniger fängt mit seinem Reinigungsprogramm an."

Hinweis: Wenn die LED "Filter überprüfen" aufleuchtet, müssen die Filter des robotischen Reinigers im Schwimmbecken gereinigt werden, bevor Sie den Reiniger ins Wasser lassen. Die LED "Filter überprüfen" ist in einigen Modellen optional.

Reinigungszyklus

Während des Reinigungszyklus sollte der robotische Reiniger:

- Über den Schwimmbeckenboden laufen, um Schmutz und Verunreinigungen aufzusammeln.
- Automatisch gemäß dem ausgewählten Programm lenken und drehen.
- Schwimmbeckenwände alle paar Minuten hochklettern, wie in seinem internen Programm eingestellt.

Hinweis: Der robotische Reiniger könnte gelegentlich aufhören, sich für paar Sekunden zu bewegen. Das ist ein Teil des Normalbetriebes, keine Fehlfunktion.

Den Betrieb des robotischen Reinigers anhalten

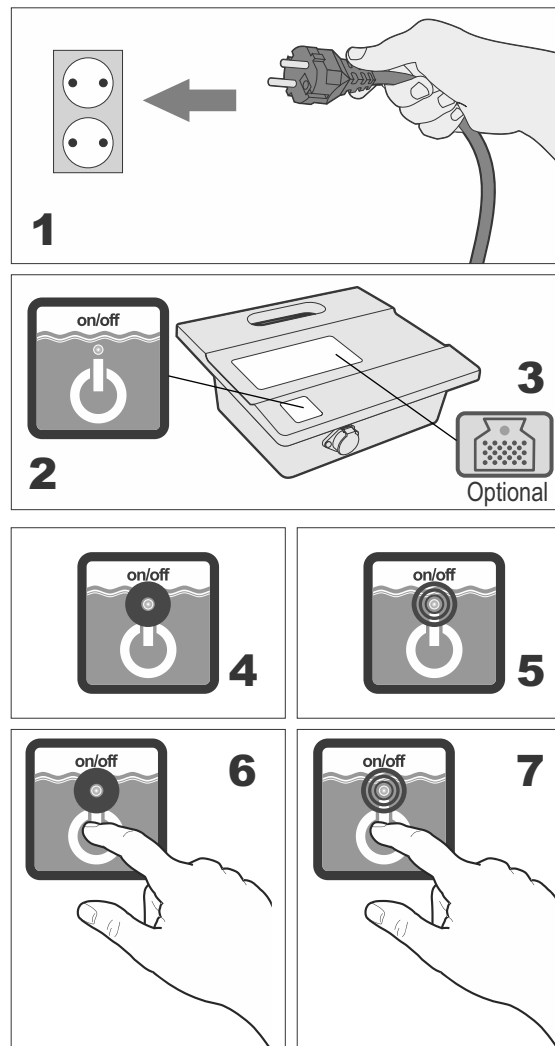
Der robotische Reiniger geht automatisch nach jedem Reinigungszyklus in STANDBY und die Betriebs-LED (5) blinkt auf.

Um den Reinigerbetrieb während eines Reinigungszyklus anzuhalten, drücken Sie die Bedientaste (7) einmal. Die Betriebs-LED (7) blinkt auf und der Reiniger ist im Standby-Modus.

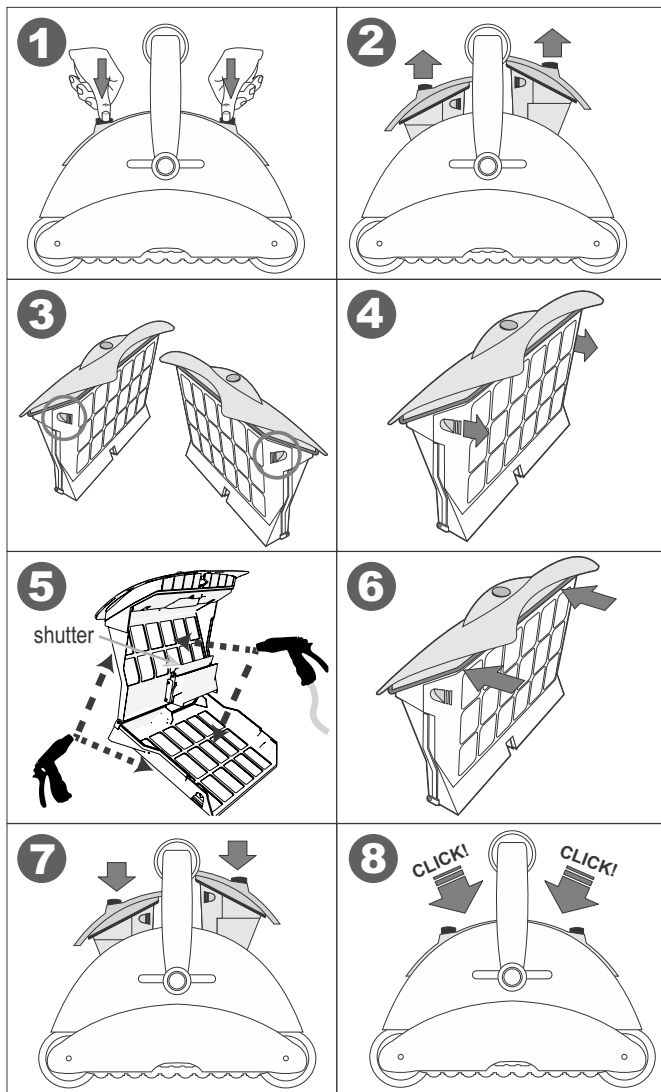
Den Reiniger aus dem Wasser ziehen

1. Trennen Sie das Schwimmkabel von der Strom- und Steuereinheit.
2. Ziehen Sie am Schwimmkabel den Reiniger näher heran, bis man den Griff fassen kann.
3. Heben Sie den Reiniger am Griff aus dem Schwimmbecken.

Vorsichtsmaßnahmen: Verwenden Sie nicht das Schwimmkabel, um den Reiniger aus dem Wasser zu heben.



Wartung



Reinigung der Filter

Die zwei Filter müssen nach jedem Reinigungszyklus gereinigt werden.

1. Lösen Sie den Filter und ziehen Sie ihn aus dem Reiniger.
2. Ziehen Sie die Filtertür (2) gegen das Filtergehäuse (2), um den Filterkasten zu öffnen.
3. Sprühen Sie Wasser auf den Außenseiten (1) und danach auf die Innenseite (3) des Filters, um sämtlichen Schmutz und Verunreinigungen zu entfernen.
4. Prüfen Sie, ob der kleine Plastikverschluss (2) an der richtigen Stelle und nicht beschädigt ist.
5. Schließen Sie den Filter.
6. Setzen Sie den Filter zurück in seine Position ein, bis ein Klicken zu hören ist, um sicherzustellen, dass der Filter an der richtigen Stelle ist.
7. Wiederholen Sie den Reinigungsvorgang für den zweiten Filter.

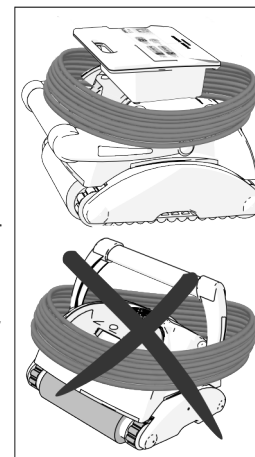
Lagerung des robotischen Reinigers

Befolgen Sie diese Anweisungen, um den robotischen Reiniger bei Nichtverwendung zu lagern:

1. Ziehen Sie das Netzkabel aus der Steckdose.
2. Trennen Sie das Schwimmkabel von der Strom- und Steuereinheit.
3. Verteilen Sie das Schwimmkabel und lösen Sie sämtliche Verdrehungen im Kabel.
4. Waschen Sie den Innenraum des Reinigers mit frischem Wasser und lassen Sie ihn trocknen.
5. Rollen Sie das Schwimmkabel auf und legen Sie es auf den Reiniger.

Vorsichtsmaßnahmen: Rollen Sie das Schwimmkabel nicht auf dem Griff des Reinigers auf.

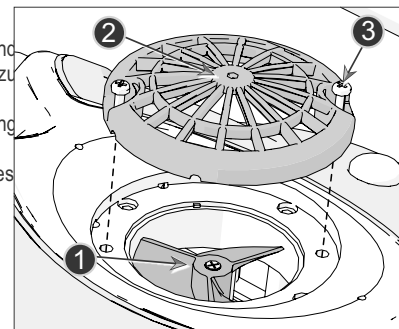
6. Lagern Sie die Reiniger-Komponenten in einem trockenen, geschlossenen Ort.
7. Überprüfen Sie, dass die Strom- und Steuereinheit keinem Wasser ausgesetzt ist.



Überprüfen des Wasserauslass-Propellers

Es wird empfohlen, regelmäßig Verunreinigungen und Haare vom Propeller des Wasserauslasses zu entfernen:

1. Entfernen Sie die Schrauben (3), um die Abdeckung des Wasserauslasses (2) zu lösen.
2. Entfernen Sie die Abdeckung des Wasserauslasses.
3. Reinigen Sie diesen von Haaren, Schmutz oder Verunreinigungen.
4. Prüfen Sie nach, dass der Propeller (1) nicht beschädigt ist.
5. Bringen Sie die Abdeckung (2) wieder an und befestigen Sie diese mit den Schrauben (3).



Dieses Kapitel bespricht die Programmieroptionen. Überspringen Sie dieses Kapitel, wenn Ihr Modell nicht programmierbar ist, oder wenn der robotische Reiniger bereits programmiert ist.

Aquacontrol

check filter
chèque filtre
filter überprüfen
controllare il sacchetto filtrante
revise el filtro

cleaning time
temps de nettoyage
reinjungszeit
tempo di pulizia
tiempo de limpieza

SPS 100

Aquacontrol

Cleaning program
Mode nettoyage
Programa de limpeza
Reinigungsprogramm
Programma di pulizia
Programa de limpeza

Internal timer
Minuterie interne
Temporizador interno
Interne Zeitschaltuhr
Timer interno
Temporizador interno

Check filter
Vérifiez le filtre
Revise el filtro
Filter überprüfen
Controllare il sacchetto filtrante
Verifique o Filtro

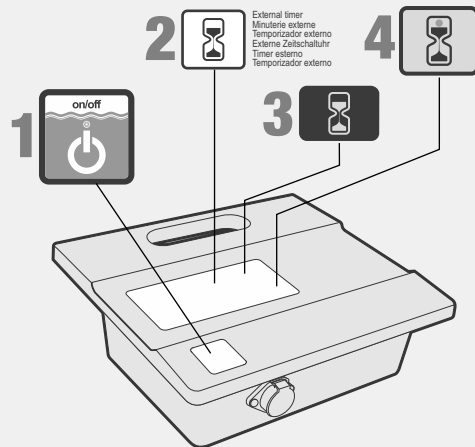
External timer
Minuterie externe
Temporizador externo
Externe Zeitschaltuhr
Timer externo
Temporizador externo

PROGRAM 03 96h

PROGRAM 02 72h

PROGRAM 01 48h

SPS 200



Steuerkonsole

Die Steuerkonsole besteht aus:

- On/Off (Ein-/Ausschaltaste) (1) – startet und stoppt den Betrieb des robotischen Reinigers.
- Funktionsbeschreibung (2) – beschreibt die Funktion
- Steuertasten (3) – blau markiert, aktivieren die ausgewählte Funktion.
- Status-Anzeige (4) – LED-Anzeige leuchtet auf, um die ausgewählte Option oder den Reiniger-Zustand anzuzeigen

Aquacontrol

Swivel
Pivot
Drehlager
Manopola di disarticolamento
Swivel

Cleaning program
Mode nettoyage
Programa de limpeza
Reinigungsprogramm
Programma di pulizia
Programa de limpeza

Internal timer
Minuterie interne
Temporizador interno
Interne Zeitschaltuhr
Timer interno
Temporizador interno

Check filter
Vérifiez le filtre
Revise el filtro
Filter überprüfen
Controllare il sacchetto filtrante
Verifique o Filtro

External timer
Minuterie externe
Temporizador externo
Externe Zeitschaltuhr
Timer externo
Temporizador externo

PROGRAM 03 96h

HIGH PROGRAM 02 72h

NORMAL PROGRAM 01 48h

SPS 300

Aquacontrol

Auto detect
Auto detection
Automaticheerkennung
Auto diagnosi
Detección automática

Swivel
Pivot
Drehlager
Manopola di disarticolamento
Swivel

Internal timer
Minuterie interne
Temporizador interno
Interne Zeitschaltuhr
Timer interno
Temporizador interno

External timer
Minuterie externe
Temporizador externo
Externe Zeitschaltuhr
Timer externo
Temporizador externo

Pool shape
Forme de piscine
Forma da piscina
Beckenform
Forma piscina
Forma da piscina

Cleaning program
Mode nettoyage
Programa de limpeza
Reinigungsprogramm
Programma di pulizia
Programa de limpeza

Check filter
Vérifiez le filtre
Revise el filtro
Filter überprüfen
Controllare il sacchetto filtrante
Verifique o Filtro

HIGH

NORMAL

PROGRAM 03 96h

PROGRAM 02 72h

PROGRAM 01 48h

SPS 400

Aquacontrol

Auto detect
Auto detection
Automaticheerkennung
Auto diagnosi
Detección automática

Swivel
Pivot
Drehlager
Manopola di disarticolamento
Swivel

Cleaning Level
Niveau de Nettoyage
Nível de Limpeza
Reinigungsstufe
Programma di pulizia
Programa de limpeza

Delay
Retard
Verzögerung
Ritardo
Atraso

Pool shape
Forme de piscine
Forma da piscina
Beckenform
Forma piscina
Forma da piscina

Cleaning program
Mode nettoyage
Programa de limpeza
Reinigungsprogramm
Programma di pulizia
Programa de limpeza

Check filter
Vérifiez le filtre
Revise el filtro
Filter überprüfen
Controllare il sacchetto filtrante
Verifique o Filtro

HIGH

NORMAL

PROGRAM 03

PROGRAM 02

PROGRAM 01

SPS 500

100/200
300/400
500

**Filter überprüfen**

– Das Aufleuchten der Lampe bedeutet, dass der Filterbeutel ordnungsgemäß entfernt, gereinigt und wieder in den Roboter eingesetzt werden muss, um effizient zu arbeiten.

Bei den Modellen 300, 400, 500 hört der robotische Reiniger auf die Wände hochzuklettern, sobald "Filter überprüfen" aufleuchtet.

100

**Reinigungszeit** - Zeit, die zur Reinigung des Schwimmbeckens benötigt wird.

Drücken Sie die Taste, um die gewünschte Zeit einzustellen. Ein rotes Licht wird Ihre Wahl anzeigen.

Diese Funktion ist nur wählbar, wenn das Netzteil im Standby-Modus befindet

200
300/400

**Interner Timer - Automatische Betriebsoption:**

Alle 48 Stunden

Alle 72 Stunden

Alle 96 Stunden

200/300

**Auswahl für Reinigungsprogramm:**

Programm 01 – 1 Stunden für Boden- und Wandreinigung.

Programm 02 – 1,5 Stunden für Boden- und Wandreinigung.

Programm 03 – 2 Stunden für Boden- und Wandreinigung.

400

**Auswahl für Reinigungsprogramm:**

Programm 01 – 1,5 Stunden für Boden

Programm 02 – 2 Stunden für Boden- und Wandreinigung.

Programm 03 – 2,5 Stunden für Boden- und Wandreinigung.

500

**Auswahl für Reinigungsprogramm:**

Program 01 – 2 Stunden für Boden

Program 02 – 4 Stunden für Boden- und Wandreinigung. (auf einigen Modellen ist keine Wandreinigungsfunktion verfügbar)

Program 03 – 5 Stunden für Boden- und Wandreinigung. (auf einigen Modellen ist keine Wandreinigungsfunktion verfügbar)

200
300/400

**Externer Timer –**

Diese Funktion ermöglicht dem Endbenutzer, den Reinigungsplan mithilfe eines externen Timers (separat verkauft) zu programmieren. Das Drücken dieser Taste aktiviert und deaktiviert diese Funktion.

300/400
500

**Swivel** – stellt die Anzahl der Wenden im Schwimmbecken für den Roboter passend ein.

Normal – Normalbetrieb

High – Verschiedene Wendezahlen

400/500



Auto-Detect (autom. Erkennung): diese Funktion verhindert, dass der Roboter nicht an Hindernissen im Schwimmbecken stecken bleibt wie Hauptabflussleitungen, Stufen, Leitern usw. Drücken Sie diese Taste, um eine der folgenden Optionen zu wählen:



Auto-Detect - OFF (AUS). Diese Option sollte ausgewählt werden, wenn Ihr Schwimmbeckenreiniger in der Mitte des Schwimmbeckens die Richtung ändert, ohne auf Hindernisse zu treffen.



Auto-Detect - ON (AN). Der Schwimmbeckenreiniger sollte die Richtung ändern, sobald er auf Hindernisse trifft. Wählen Sie diese Option, wenn im Schwimmbecken Hindernisse vorhanden sind, so wie bei Bodenreinigungssystemen, Hauptabflussleitungen und Leitern.

400/500



Schwimmbeckenumriss:

Damit kann der Roboter das effizienteste Reinigungsmuster für das ausgewählte Schwimmbeckenformat berechnen. Drücken Sie die Taste, um die passendste Zeichnung auszuwählen, die zum Umriss des Schwimmbeckens passt. Ein rotes Licht zeigt Ihre Auswahl an.

500



Reinigungsstufe – Ändern Sie die Reinigungsleistung



Schnell: Auswählen, wenn Ihr Schwimmbecken gering verschmutzt ist.



Regelmäßig: Für die tägliche Wartung auswählen.



Gründlich: Auswählen, wenn Ihr Schwimmbecken stark verschmutzt ist.

500

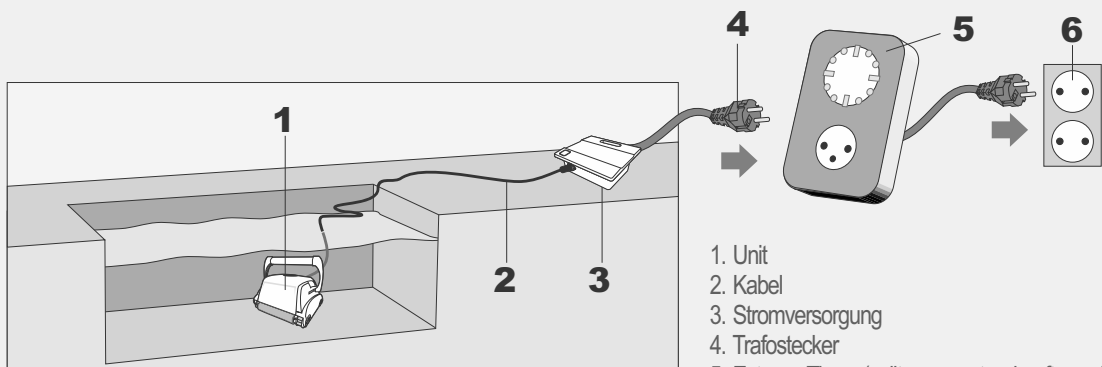


Verzögerung

Wenn die Option eingeschaltet ist, fängt der Roboter nach 2 Stunden Verzögerung an zu arbeiten.

Mit dieser Funktion können Verunreinigungen und Staub auf den Boden sinken, bevor der Roboter mit der Arbeit anfängt.

Externen Timer



1. Unit
2. Kabel
3. Stromversorgung
4. Trafostecker
5. Externe Timer (sollte separat gekauft werden)
6. Auslauf

Verwendung eines externen Timers
(Optional, sollte separat gekauft werden)

Ein externer Timer kann zur automatischen Aktivierung des Reinigers für eine voreingestellte Zeit verwendet werden.

Der externe Timer sollte zwischen der Steckdose und der Strom- und Steuereinheit angeschlossen sein.

Fehlerbeseitigung

DER REINIGER IST NICHT ANGESCHALTET (ON).

Die Steckdose wird nicht mit Strom versorgt.

1. Trennen Sie den Reiniger von der Strom- und Steuereinheit.
2. Trennen Sie die Stromversorgung von der Steckdose, warten Sie 30 Sekunden und schließen Sie diese erneut an.
3. Schalten Sie die Stromzufuhr an (ON). Falls nicht aktiviert, schließen Sie das Gerät an eine andere Steckdose an.

Das Schwimmkabel ist nicht ordnungsgemäß an die Strom- und Steuereinheit angeschlossen.

Schließen Sie das Schwimmkabel erneut an die Strom- und Steuereinheit an.

Hindernis im Antriebssystemdes Reinigers.

1. Drehen Sie den Reiniger vorsichtig um, um die Unterseite zu prüfen.
2. Drehen Sie die Antriebsführungen und Reinigungsbürsten per Hand. Sie sollten sich drehen, aber nicht locker sein.
3. Reinigen und entfernen Sie ggf. Hindernisse und Verunreinigungen.

Der Propeller sitzt aufgrund von Haaren oder Verunreinigungen fest.

Überprüfen Sie, ob der Propeller beschädigt ist oder gereinigt werden muss (siehe "Überprüfen des Wasserauslass-Propellers").

DER REINIGER BEWEGT SICH, ABER PUMPT KEIN WASSER:

Die Filter sind schmutzig.

1. Entfernen Sie die Filter.
2. Lassen Sie den robotischen Reiniger ohne Filter im Schwimmbecken laufen. Bei einwandfreier Funktionstüchtigkeit ersetzen oder reinigen Sie die Filter sorgfältig.

Der Propeller sitzt aufgrund von Haaren oder Verunreinigungen fest oder ist beschädigt.

Überprüfen Sie, ob der Propeller beschädigt ist oder gereinigt werden muss (siehe "Überprüfen des Wasserauslass-Propellers").

DER REINIGER PUMPT WASSER, ABER BEWEGT SICH NICHT.

Hindernis im Antriebssystemdes Reinigers.

1. Drehen Sie den Reiniger vorsichtig um, um die Unterseite zu prüfen.
2. Drehen Sie die Antriebsführungen und Reinigungsbürsten per Hand. Sie sollten sich drehen, aber nicht locker sein.
3. Reinigen und entfernen Sie ggf. Hindernisse und Verunreinigungen.

REINIGER STARTET UND SCHALTET NACH EINER KURZEN ZEIT AB.

Die Filter sind schmutzig.

1. Entfernen Sie die Filter.
2. Lassen Sie den robotischen Reiniger ohne Filter laufen. Bei einwandfreier Funktionstüchtigkeit ersetzen oder reinigen Sie die Filter sorgfältig.

Der Propeller sitzt aufgrund von Haaren oder Verunreinigungen fest oder ist beschädigt.

1. Entfernen Sie die oberen Schrauben am oberen Auslass.
2. Überprüfen Sie, ob der Propeller beschädigt ist oder gereinigt werden muss.

Hindernis im Antriebssystemdes Reinigers.

1. Drehen Sie den Reiniger vorsichtig um, um die Unterseite zu prüfen.
2. Drehen Sie die Antriebsführungen und Reinigungsbürsten per Hand. Sie sollten sich drehen, aber nicht locker sein.
3. Reinigen und entfernen Sie ggf. Hindernisse und Verunreinigungen.

DER REINIGER SAMMELT KEINEN SCHMUTZ AUF.

Die Filter sind schmutzig oder haben Löcher.

Reinigen Sie nach Bedarf und überprüfen Sie, ob keine Löcher in den Filtern sind.

Der Propeller sitzt aufgrund von Haaren oder Verunreinigungen fest oder ist beschädigt.

Überprüfen Sie, ob der Propeller beschädigt ist oder gereinigt werden muss (siehe "Überprüfen des Wasserauslass-Propellers").

Die Saugöffnung ist nicht nahe genug am Schwimmbeckenboden.

Ziehen Sie die Saugöffnung HERAUS (siehe "Einstellung der Saughöhe").

VERUNREINIGUNG KOMMT AUS DEM GERÄT, WENN ES AUS DEM SCHWIMMBECKEN ENTFERNT WIRD.

Der Filterverschluss ist beschädigt oder fehlt.

Öffnen Sie die Filter und überprüfen Sie, ob der Filterverschluss richtig funktioniert und nicht beschädigt ist (siehe "Reinigung der Filter")

Löcher in den Filtern.

Öffnen Sie die Filter und überprüfen Sie, ob keine Löcher im Filtersieb sind (siehe "Reinigung der Filter")

Der Deckel des Unterteils ist nicht richtiggeschlossen.

Achten Sie darauf, dass der Deckel des Unterteils richtig geschlossen ist.

Fehlerbeseitigung

DER REINIGER SCHEINT NICHT DAS KOMPLETTE SCHWIMMBECKEN ZU REINIGEN.

Die Filter sind schmutzig.

Reinigen Sie die Filter.

Die Länge des Schwimmkabels im Wasser ist nicht ausreichend, um das andere Ende des Schwimmbeckens zu erreichen, oder das Kabel ist verwickelt.

1. Überprüfen Sie, ob die Länge des Schwimmkabels im Wasser ausreichend ist, um das andere Ende des Schwimmbeckens zu erreichen.
2. Achten Sie darauf, dass das Schwimmkabel ordnungsgemäß ausgebreitet und entwirrt ist.

Der Winkel des Gleitgriffes beeinträchtigt die Bewegung des Reinigers.

Erhöhen Sie den Diagonalwinkel des Gleitgriffs (siehe "Einstellung des Gleitgriffs").

Der pH-Wert des Schwimmbeckens ist falsch.

Achten Sie darauf, dass der pH-Wert zwischen 7,2 und 7,6 liegt.

Der Chlorgehalt ist falsch.

Überprüfen Sie die Chlorbehandlung des Wassers und korrigieren diese bei Bedarf (Entfernen Sie während der Behandlung den Reiniger aus dem Schwimmbecken).

Der Propeller sitzt aufgrund von Haaren oder Verunreinigungen fest oder ist beschädigt.

1. Entfernen Sie die oberen Schrauben am oberen Auslass.
2. Überprüfen Sie, ob der Propeller beschädigt ist oder gereinigt werden muss.

Hindernis im Antriebssystem des Reinigers.

1. Drehen Sie den Reiniger vorsichtig um, um die Unterseite zu prüfen.
2. Drehen Sie die Antriebsführungen und Reinigungsbürsten per Hand. Sie sollten sich drehen, aber nicht locker sein.
3. Reinigen und entfernen Sie ggf. Hindernisse und Verunreinigungen.

DAS GERÄT STEIGT NICHT DIE WÄNDE HOCH.

Der Reiniger steigt nicht die Schwimmbeckenwände hoch.

1. Überprüfen Sie, ob Ihr robotischer Reiniger nur ein Modell für die Bodenreinigung ist.
2. Prüfen Sie nach, dass P1, nur für Bodenreinigung, ist nicht auf der Strom- und Steuereinheit ausgewählt (siehe "Programmierung des robotischen Reinigers").

Die Filter sind schmutzig.

Reinigen Sie die Filter.

Der propeller sitzt aufgrund von haaren oder verunreinigungen fest oder ist beschädigt.

Überprüfen Sie, ob der Propeller beschädigt ist oder gereinigt werden muss (siehe "Überprüfen des Wasserauslass-Propellers").

Der pH-Wert ist falsch.

Achten Sie darauf, dass der pH-Wert zwischen 7,2 und 7,6 liegt.

Der Chlorgehalt ist falsch.

Überprüfen Sie die Chlorbehandlung des Wassers (entfernen Sie während der Behandlung den Reiniger aus dem Schwimmbecken).

Die Wassertemperatur ist nichtoptimal.

Empfohlene Temperatur liegt zwischen 22 °C - 32 °C (72 °F - 90 °F).

DAS KABELHAT SICH VERWICKELT.

Die Filter sind schmutzig.

Reinigen Sie die Filter.

Der Deckel des Unterteils ist nicht richtiggeschlossen.

Achten Sie darauf, dass der Deckel des Unterteils richtig geschlossen ist.

Das Kabel ist nicht ausgebreitet, bevor der Reiniger im Schwimmbecken abgesetzt wurde.

Achten Sie darauf, dass das Schwimmkabel ordnungsgemäß ausgebreitet und entwirrt ist, bevor Sie den Reiniger in Betrieb setzen.

Die Kabellänge ist im Wasser zu lang.

Überprüfen Sie, ob die Länge des Kabels im Wasser der Länge der Schwimmbeckendiagonale plus 2 Meter entspricht.

Der Propeller sitzt aufgrund von Haaren oder Verunreinigungen fest oder ist beschädigt.

Überprüfen Sie, ob der Propeller beschädigt ist oder gereinigt werden muss (siehe "Überprüfen des Wasserauslass-Propellers").

DIE FERNBEDIENUNG FUNKTIONIERT NICHT.

Die Batterie ist leer. LED blinkt oder ist abgeschaltet (OFF).

Überprüfen Sie die Batterie, indem Sie eine der Tasten drücken. Das rote Licht auf der Fernbedienung blinkt oder leuchtet nicht ständig auf, wenn die Batterie leer ist. Setzen Sie sich mit einem Fachhändler oder Kundendienst in Verbindung.

Fernbedienung (optional)

Dieses Kapitel bespricht die Bedienung der optionalen Fernbedienung. Die Fernbedienung ist in einigen Modellen beigefügt.

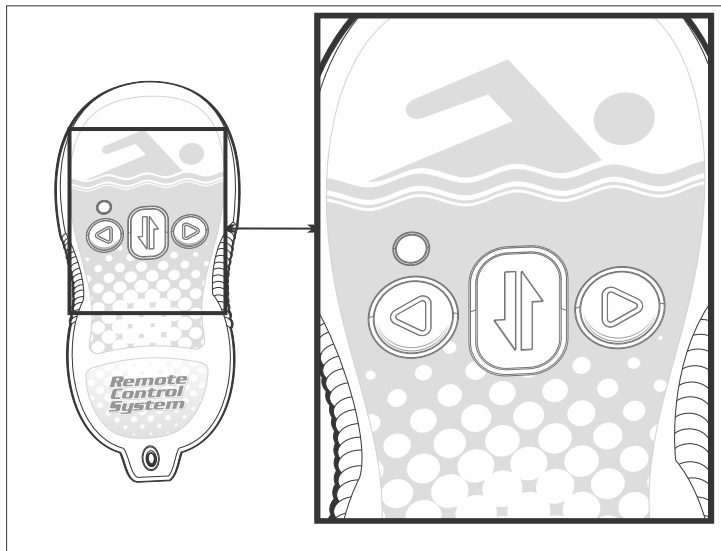
Übersicht Fernbedienung

Die Fernbedienung ist eine optionale Zusatzeinrichtung, die den robotischen Reiniger über ferngesteuerte Befehlstasten steuern kann. Wenn Sie die Fernbedienungstasten drücken, wird ein Funksignal an die Strom- und Steuereinheit übermittelt. Dieses Signal wird in einen Befehl umgewandelt und an den robotischen Reiniger über das Schwimmkabel gesendet.

Verwendung der Fernbedienung

1. Drücken Sie die rechte Taste (3), um den robotischen Reiniger nach rechts zu drehen. Der robotische Reiniger dreht sich solange nach rechts, bis die Taste losgelassen wird.
2. Drücken Sie die linke Taste (1), um den robotischen Reiniger nach links zu drehen. Der robotische Reiniger dreht sich solange nach links, bis die Taste losgelassen wird.
3. Drücken Sie die Taste Vorwärts/Rückwärts (2), um den robotischen Reiniger anzuhalten und seine Bewegungsrichtung zu ändern.

Die Fernbedienungs-LED leuchtet nach jedem Befehl auf. Wenn die LED-Anzeige nicht reagiert, ersetzen Sie die Batterie.



Transportbehälter (optional)

Der Transportbehälter ist ein optionales Zubehörteil, um leicht und einfach den robotischen Reiniger, das Schwimmkabel und die Strom- und Steuereinheit von Ort zu Ort zu bewegen.

Montage des Transportbehälters

Um den Transportbehälter zu montieren, brauchen Sie einen Standardschraubendreher und einen 8 mm Schraubenschlüssel.

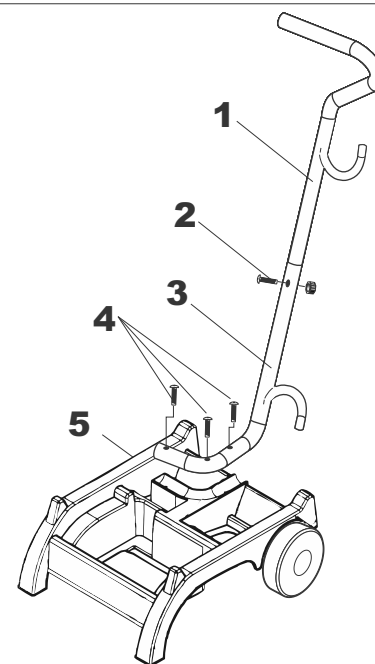
Anbringung des Transportbehältergriffs

1. Befestigen Sie das Unterteil des Griffs (3) an den Rahmen des Transportbehälters (5) mit drei Schrauben (4) und Muttern.
2. Befestigen Sie das Oberteil des Griffs (1) an das Unterteil (3) mit einer Schraube (2) und einer Mutter.

Laden des robotischen Reinigers auf den Transportbehälter

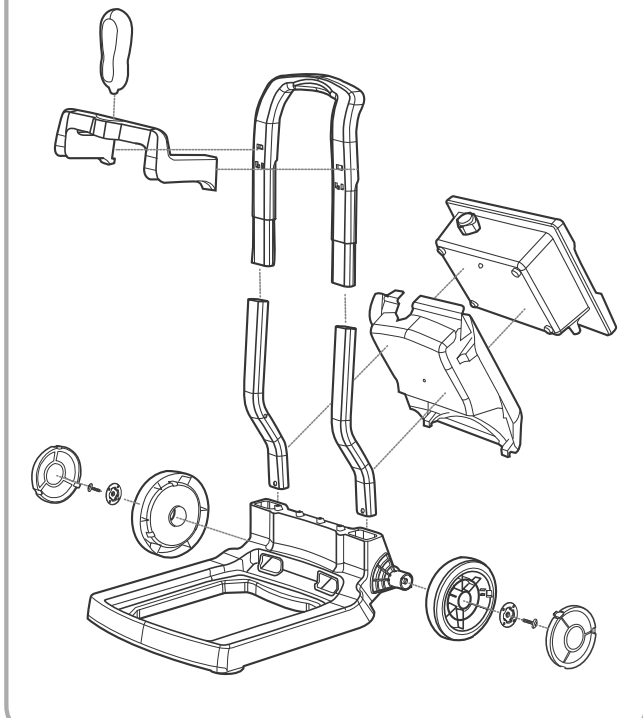
1. Stellen Sie den Reiniger auf den Sockel des Transportbehälters.
2. Rollen Sie das Schwimmkabel auf und legen Sie es auf den Reiniger.
3. Legen Sie die Strom- und Steuereinheit oben auf der Schwimmkabel-Wicklung.

1. Oberteil des Griffs
2. Schraube
3. Unterteil des Griffs
4. Schrauben
5. Transportbehälters



Transportwagen (optional)

Montage des Transportwagens

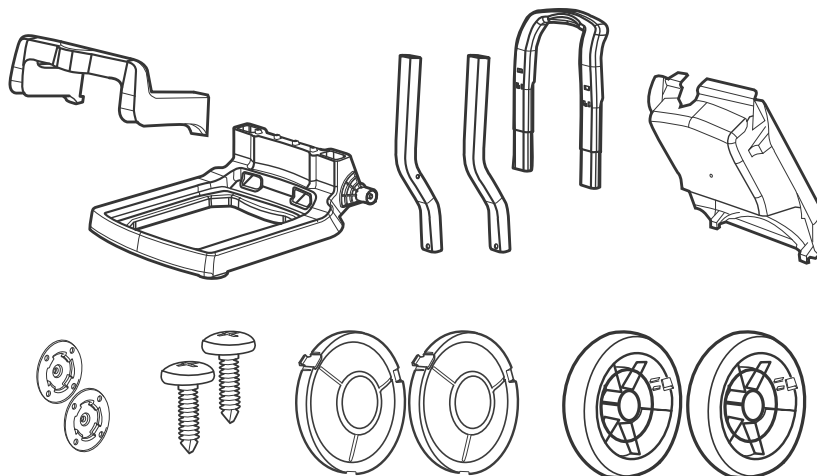


Der Transportwagen ist ein optionales Zubehörteil, um leicht und einfach den robotischen Reiniger zu bewegen und bietet einen Montageort für Strom- und Steuereinheit.

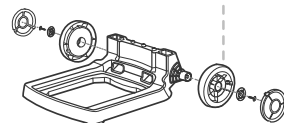
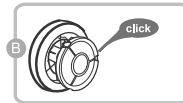
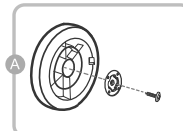
Um den Transportwagen zu montieren:

1. Befestigen Sie die Räder an beide Seiten des Fahrwerks.
2. Befestigen Sie jedes Rad mit einer Schraube und installieren Sie die Abdeckung.
3. Montieren Sie die zwei Abschnitte des Griffs.

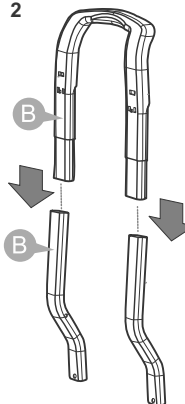
Komponenten



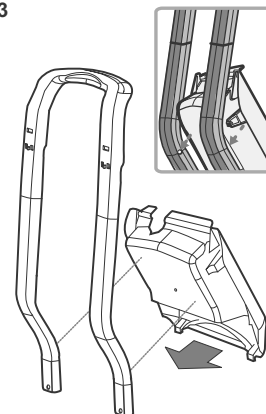
1



2

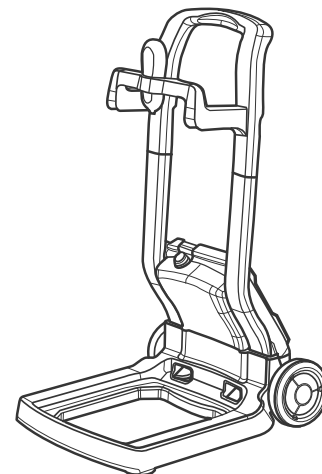
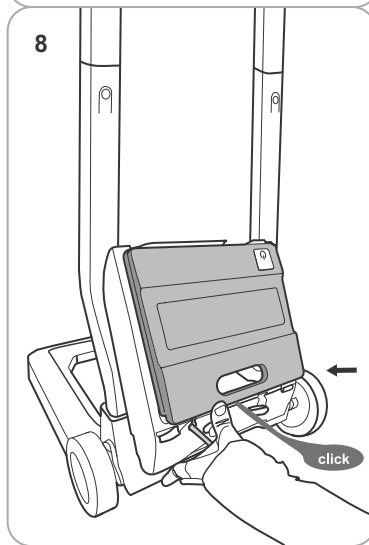
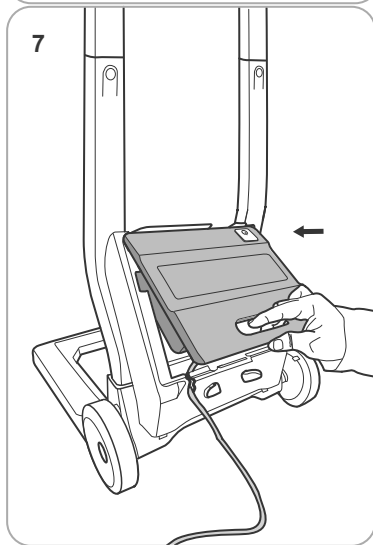
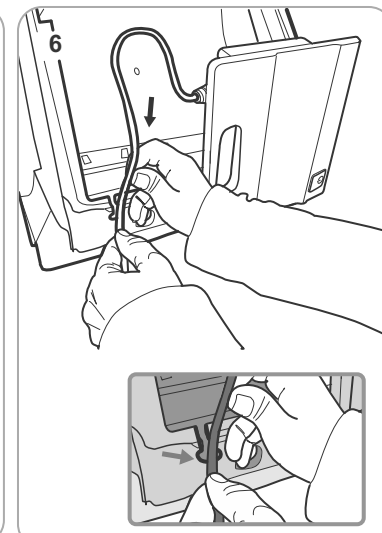
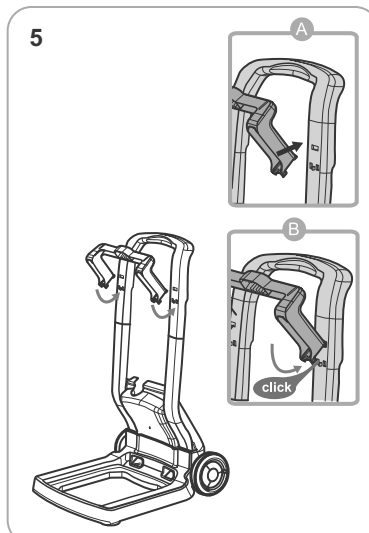
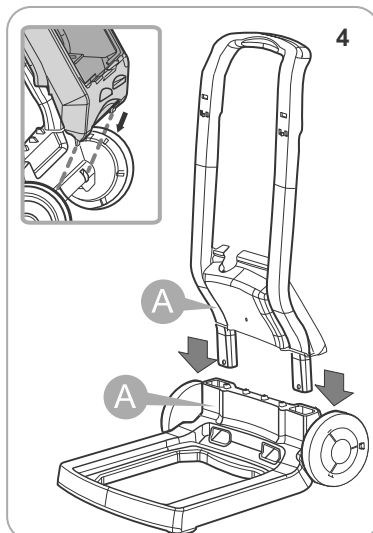


3



Transportwagen (optional)

4. Stecken Sie den Griff in das Fahrwerk hinein. Rasten Sie die unteren Laschen des Gehäuses der Strom- und Steuereinheit in das Fahrwerk ein.
5. Befestigen Sie den Fernbedienungshalter, indem Sie den oberen Teil in den Transportwagengriff stecken und den Halter nach unten drehen, bis der untere Teil einrastet.
6. Legen Sie das Kabel der Strom- und Steuereinheit in die Einkerbung des Fahrwerks.
7. Bringen Sie das Gehäuse der Strom- und Steuereinheit an, indem Sie die oberen Laschen in die Öffnungen im Griff einrasten.
8. Legen Sie den oberen Teil der Strom- und Steuereinheit ins Gehäuse und drücken Sie den unteren Teil nach unten, bis er im Fahrwerk einrastet.



Contenuto

Disposizioni importanti di sicurezza

Introduzione

- Descrizione generale del sistema
- Come esegue il robot la pulizia della piscina
- Condizioni operative

Componenti

- Il robot
- Unità di potenza e controllo

Funzionamento

- Prima del primo uso
- Prima di sistemare il robot nell'acqua.
- Avvio del robot
- Ciclo di pulizia
- Arresto del robot
- Estrazione del robot dall'acqua

Manutenzione

- Pulizia dei filtri
- Immagazzinamento del robot
- Controllo dell'elica di espulsione dell'acqua

Opzioni di programmazione

- Pannello di controllo
- Tasti di copertura
- Temporizzatore esterno

Ricerca dei guasti

Telecomando

- Visione generale del telecomando
- Uso del telecomando

Il carrello Caddy (optional)

- Montaggio del carrello Caddy
- Collegamento della maniglia del Caddy
- Carico del robot di pulizia sul carrello Caddy

Il carrello Trolley (optional)

- Componenti
- Montaggio

DISPOSIZIONI IMPORTANTI DI SICUREZZA LEGGERE E SEGUIRE TUTTE LE DISPOSIZIONI

ATTENZIONE: Non inserire la spina dell'alimentatore in una presa di rete e non avviare il robot per la pulizia della piscina se questo non è completamente immerso nell'acqua. Mettendo in funzione il robot fuori dall'acqua si possono causare severi danni immediati e si provoca l'annullamento della garanzia.

Lasciare che il robot resti nella piscina per un periodo che va da 15 a 20 minuti dopo la fine del ciclo di pulizia. Questo consente ai motori di raffreddarsi adeguatamente. Non lasciare il robot in piscina tutto il tempo. Ricordare sempre di spegnere e staccare l'alimentatore elettrico dalla presa di corrente prima di estrarre il robot dalla piscina.

AVVISO: Il robot non deve essere messo in azione quando i bagnanti si trovano nella piscina. Per solo uso in piscina

Nota di sicurezza

- L'alimentazione del robot deve avvenire tramite un interruttore a corrente residua (RCD) con un valore di taratura non superiore a 30 mA
- Il collegamento alla rete elettrica deve essere compatibile con le norme ed i regolamenti locali e nazionali (normativa elettrica).
- La cattiva manutenzione del robot può causare la perdita di materiali lubrificanti.
- Se il cavo d'alimentazione elettrica è danneggiato, deve essere sostituito dalla casa produttrice o da un agente autorizzato al servizio oppure da persona analogamente qualificata per evitare pericoli.



L'elettrodomestico non è destinato all'uso di persone dalle capacità fisiche, sensoriali o mentali ridotte (ivi compresi i bambini) o persone che non hanno idonee esperienze e conoscenza, senza prima averle addestrate o istruite circa l'uso dell'apparecchio da un tecnico responsabile della sicurezza. I bambini devono essere sorvegliati onde evitare che giochino con l'apparecchio.



AVVISO: Un interruttore di isolamento difettoso verso terra (GFCI-USA) o un interruttore di corrente residua (RCD-EUROPE) deve essere installato per proteggere la presa elettrica e prevenire ogni possibile scossa elettrica.

CONSERVARE QUESTE ISTRUZIONI

Introduzione

Descrizione generale del sistema

Il robot per la pulizia passa sul fondale e le pareti della piscina per raccogliere sporcizia e detriti nei suoi filtri interni. Questo manuale illustra come operare con il robot per la pulizia, le procedure della sua pulizia, manutenzione e immagazzinamento.

Nota:

Questo manuale riguarda alcuni modelli di robot per la pulizia. Alcune parti sono diverse, a seconda del modello specifico.

Come esegue il robot la pulizia della piscina

Dopo che il robot è stato introdotto nella piscina ed attivato, funzionerà secondo il programma definito tramite l'unità di potenza e controllo. Il robot si muove sul fondale e sulle pareti della piscina, coprendone tutta l'area. Quando il robot ha completato l'esecuzione del programma, rimane inattivo sul fondale della piscina.

Nota:

La salita sulle pareti della piscina è una funzione facoltativa. Quando la funzione di salita sulle pareti è attivata, il robot si arrampica sulle pareti agli intervalli definiti dal suo programma interno. La capacità del robot di salire le scale della piscina è subordinata alla geometria ed al materiale di cui esse sono composte.

Condizioni operative

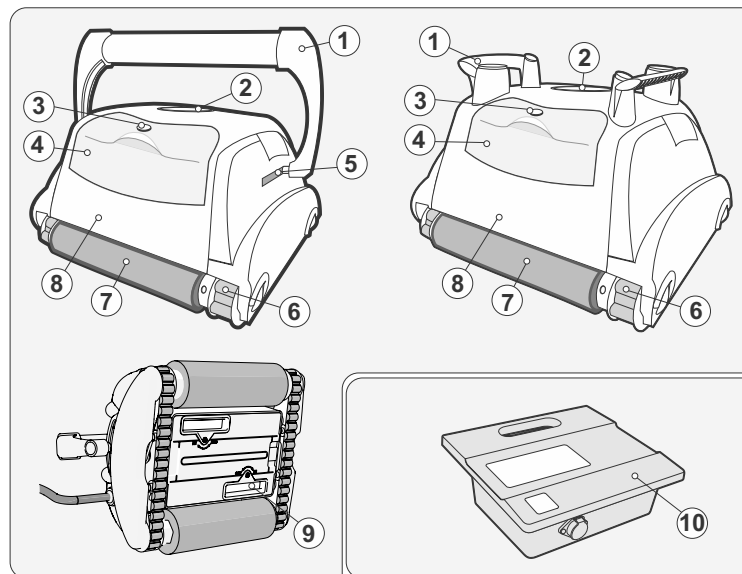
Il robot è destinato alla pulizia delle piscine, nelle seguenti condizioni operative:

- A temperature variabili fra 13°C e 35°C (55°F-95°F); la temperatura raccomandabile va da 22°C a 32°C (72°F-90°F).
- pH dell'acqua: 7,2 - 7,6
- Contenuto di cloro: la piscina è mantenuta secondo le istruzioni del costruttore della stessa.

Nota:

Il difetto di manutenzione secondo le condizioni operative raccomandate può impedire il regolare funzionamento del robot. Estrarre il robot dall'acqua quando si esegue il "Trattamento Chimico Intensivo" in piscina.

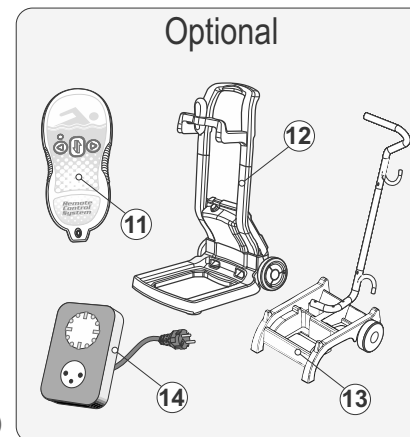
Componenti



- 1) Impugnatura
- 2) Scarico superiore
- 3) Sgancio blocco filtro
- 4) Accesso al filtro dall'alto
- 5) Meccanismo di blocco impugnatura
- 6) Cingolo di trazione
- 7) Spazzola di sfregamento
- 8) Cassa dell'unità
- 9) Ingresso d'aspirazione
- 10) Alimentatore (trasformatore)

OPTIONAL

- 11) Telecomando
- 12) Il carrello "Trolley"
- 13) Il carrello "Caddy"
- 14) Timer Esterno (fornito separatamente)

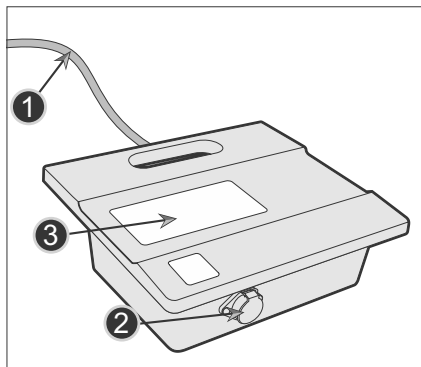


Componenti

Unità di potenza e controllo

L'unità di potenza e controllo è collegata al robot tramite il cavo galleggiante. L'unità è alimentata in corrente alternata (1) e fornisce bassa tensione e comandi all'unità di pulizia tramite la presa d'uscita (2).

L'unità è dotata di un pannello di controllo (3) con vari controlli per gestire il funzionamento del robot.



Contenuto dell'imballaggio

Il robot è imballato in una scatola che contiene:

- Robot e cavo galleggiante
- Unità di potenza e controllo
- Manuale per l'utente

According to the model purchased, the following accessories may be included in the package:

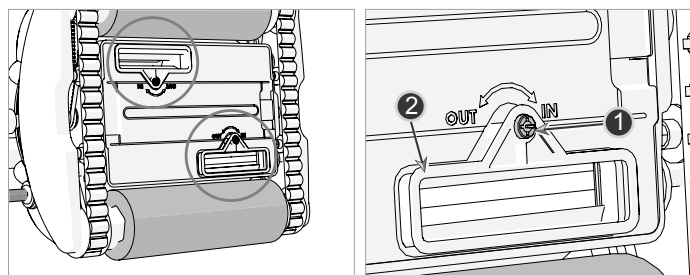
- Remote Control
- Caddy
- Trolley
- Additional Accessories

Funzionamento

Prima del primo uso

Regolazione dell'altezza di aspirazione. Regolando l'ingresso dell'aspirazione (2) vicino alla superficie del fondale della piscina si aumentano la forza aspirante e la qualità di pulizia. Abbassando troppo l'ingresso d'aspirazione si può provocare interferenza con ostacoli sul fondale o sulle pareti della piscina. Per regolare la posizione corretta del pomello dell'ingresso d'aspirazione va usato un cacciavite (1).

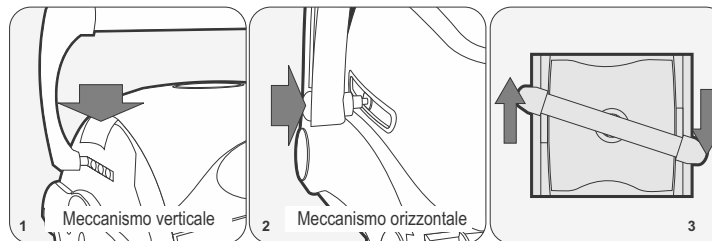
- IN – Alza l'ingresso d'aspirazione dalla superficie della piscina e riduce la potenza aspirante.
- OUT – Abbassa l'ingresso d'aspirazione verso la superficie della piscina ed aumenta la potenza aspirante.



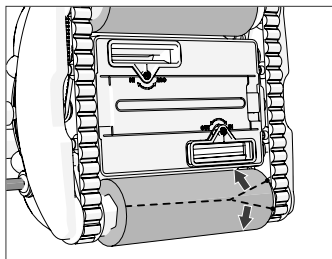
Regolazione della maniglia galleggiante

Sui modelli con salita sulle pareti, regolare la maniglia galleggiante:

1. Premere il pulsante di blocco (1 o 2 a seconda del modello) per sganciare il blocco della maniglia.
2. Sistemare la maniglia (3) diagonalmente in posizione di massima.
3. Ripetere le fasi 1 e 2 sull'altro lato del robot.



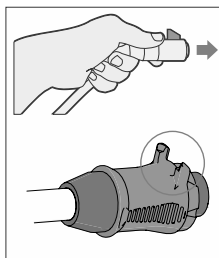
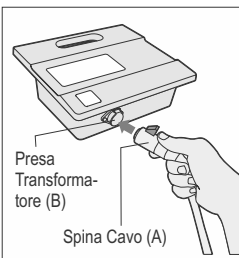
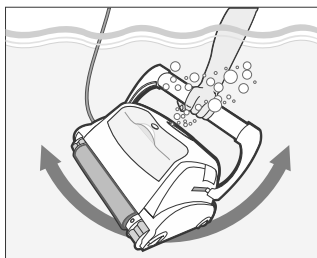
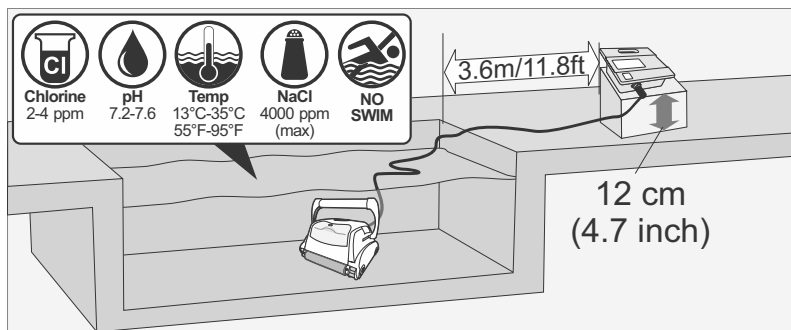
Funzionamento



Rimozione dei copri-spazzole

Il robot è fornito con coperchi protettivi sulle spazzole di sfregamento. Rimuovere con cautela i coperchi di nylon dalle spazzole di sfregamento.

AVVERTENZA: Non usare un utensile affilato per togliere i copri-spazzole, per evitare di danneggiare le spazzole.



Posizione dell'unità di potenza e controllo

4. Posizionare l'unità di potenza e controllo ad almeno 3,6 metri/11,8 piedi dalla piscina e sollevato di almeno 12 cm/4 pollici dalla superficie.

AVVERTENZA: L'unità di potenza e controllo non deve essere esposta a acqua o ai raggi del sole.

5. Sganciare i lacci di plastica usati per fissare il cavo galleggiante durante il trasporto, premendo lo scatto di plastica del laccio.

Prima di sistemare il robot nell'acqua.

1. Assicurarsi che non vi siano bagnati in piscina.
2. Accertarsi che i filtri siano puliti.
3. Assicurarsi che siano soddisfatte le condizioni operative in piscina; (vedere "Condizioni operative").

Introdurre nell'acqua il robot

1. Srotolare il cavo galleggiante. È raccomandabile svolgere il cavo per la lunghezza della diagonale della piscina, più 2 metri.
2. Introdurre il robot in piscina.
3. Lasciare che affondi fino ad appoggiarsi sul fondale. Non attivare il robot prima che si sia adagiato sul fondale della piscina.
4. Svolgere il cavo galleggiante di traverso in piscina. Assicurarsi di svolgere solo la lunghezza di cavo raccomandata. Dipanare spirali o trecce del cavo. Avvolgere il cavo in eccesso al di fuori della piscina, vicino all'unità di potenza e controllo.
5. Collegare il cavo galleggiante (A) alla presa (B) dell'unità di potenza e controllo.

AVVERTENZA: Mettendo in funzione il robot fuori dall'acqua si possono causare severi danni immediati e si provoca l'annullamento della garanzia.

Funzionamento

Avvio del robot

1. Collegare l'unità di potenza e controllo alla presa elettrica di rete. Il LED del funzionamento (4) è acceso ed il robot inizia il suo programma di pulizia.

Se l'unità di potenza e controllo è già collegata alla presa di rete, il LED di funzionamento (5) lampeggia per indicare che il robot è in modalità d'attesa.

Premere il pulsante di funzionamento (6). Il LED di funzionamento è acceso ed il robot inizia il suo programma di pulizia.

Nota: Quando si accende il LED di controllo del filtro, è necessario ripulire il filtro prima di introdurre il robot in piscina. Il LED di controllo del filtro è un optional in alcuni modelli.

Ciclo di pulizia

Durante il ciclo di pulizia il robot:

- Si sposta sul fondale della piscina raccogliendo sporcizia e detriti.
- Cambia direzione e si gira automaticamente secondo il programma selezionato
- Si arrampica sulle pareti della piscina a intervalli di qualche minuto, come stabilito nel suo programma interno.

Nota: Il robot può occasionalmente fermarsi per alcuni secondi. Questo è previsto nel normale funzionamento, non si tratta di un malfunzionamento.

Arresto del robot

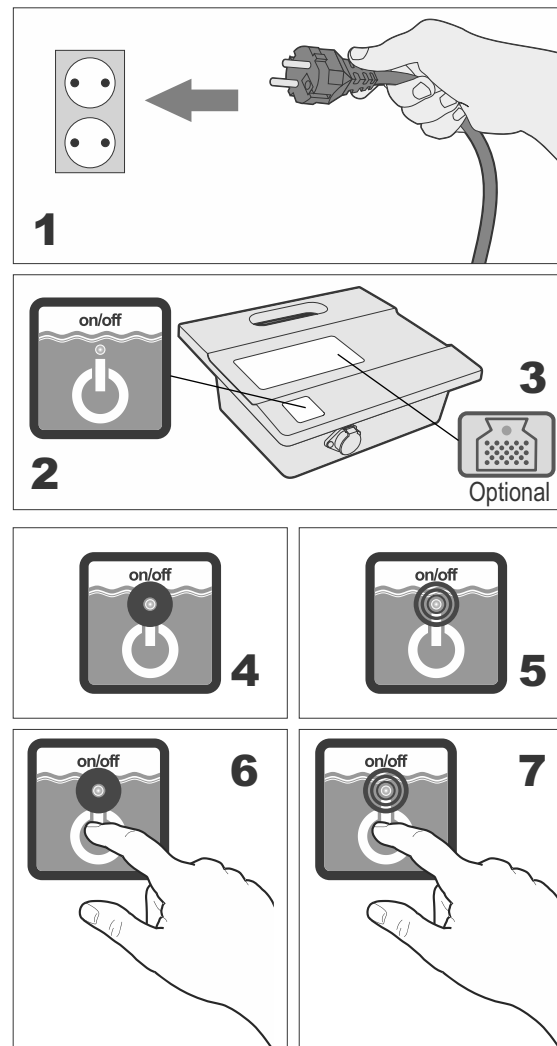
Il robot si sposta automaticamente sulla posizione STANDBY al termine di ogni ciclo di pulizia ed il LED di funzionamento (5) inizia a lampeggiare.

Per arrestare il robot durante un ciclo di pulizia, premere una volta il pulsante di funzionamento (7). Il LED di funzionamento (7) inizia a lampeggiare ed il robot si ferma in modalità d'attesa."

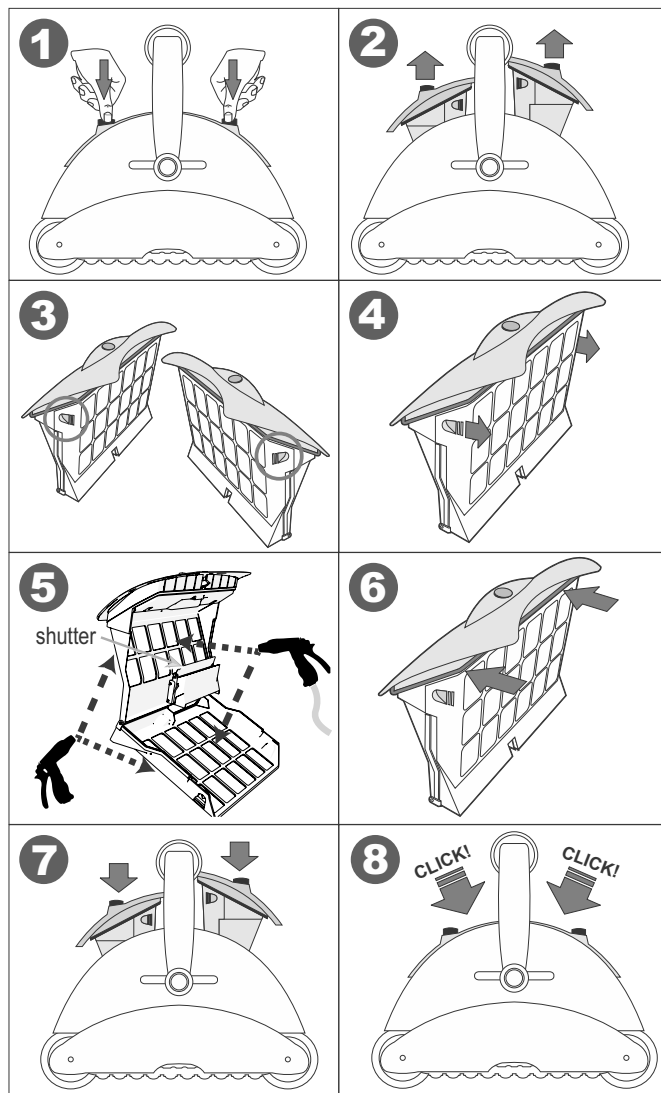
Estrazione del robot dall'acqua

1. Disconnettere il cavo galleggiante dall'unità di potenza e controllo.
2. Tirare il cavo galleggiante per avvicinare il più possibile il robot, per poterlo afferrare con la maniglia.
3. Servendosi della maniglia, estrarre il robot dalla piscina.

Attenzione: Non usare il cavo galleggiante per estrarre dall'acqua l'unità di pulizia.



Manutenzione



Pulizia dei filtri

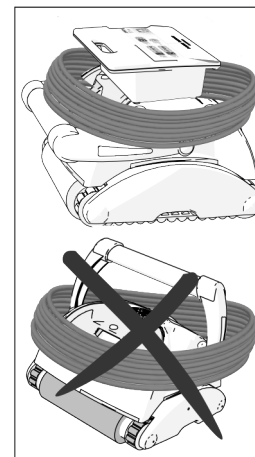
I due filtri vanno puliti dopo ciascun ciclo di pulizia.

1. Liberare il filtro ed estrarlo dal robot. (1), (2)
2. Tirare lo sportello del filtro contro l'alloggiamento del filtro per aprire la scatola del filtro. (3), (4)
3. Sprizzare acqua sulle parti esterne del filtro e poi sulle parti interne del filtro, per liberarlo da sporcizia e detriti. (5)
4. Verificare che l'otturatore di plastica (2) sia al suo posto e non sia rotto.
5. Reinserire il filtro nel suo alloggiamento fino ad udire il clic che avverte quando il filtro è posizionato correttamente. (7), (8)

Immagazzinamento del robot

Seguire le seguenti istruzioni per immagazzinare il robot quando non è in uso:

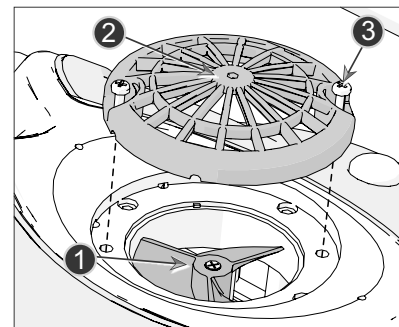
1. Disconnettere il cavo d'alimentazione elettrica dalla presa elettrica.
2. Disconnettere il cavo galleggiante dall'unità di potenza e controllo.
3. Stendere il cavo galleggiante e sbrigliarne ogni groviglio.
4. Sciacquare le parti interne dell'unità di pulizia con acqua corrente e lasciare asciugare.
5. Avvolgere il cavo galleggiante e appoggiarlo sull'unità di pulizia. **Attenzione: Non avvolgere il cavo galleggiante sulla maniglia dell'unità di pulizia.**
6. Immagazzinare i componenti del robot in luogo asciutto e chiuso.
7. Verificare che l'unità di potenza e controllo non sia esposta all'acqua.



Controllo dell'elica di espulsione dell'acqua

È raccomandabile ripulire periodicamente l'elica d'espulsione dell'acqua:

1. Svitare le viti (3) che fissano il coperchio dell'uscita dell'acqua (2).
2. Rimuovere il coperchio dell'uscita dell'acqua (2).
3. Pulire dai peli, sporcizia e detriti.
4. Verificare che l'elica (1) non sia rotta.
5. Riporre il coperchio (2) e fissarlo con le viti (3).



Questo capito ripassa le opzioni di programmazione. Ignorare questo capitolo se il modello non è programmabile oppure se è già stato programmato.

Aquacontrol



check filter
chèque filtre
filter überprüfen
controllare il sacchetto filtrante
revise el filtro



cleaning time
temps de nettoyage
reinigungszeit
tempo di pulizia
tiempo de limpieza



2.0H



1.5H




Aquacontrol

Cleaning program
Mode nettoyage
Programa de limpeza
Reinigungsprogramm
Programma di pulizia
Programa de limpeza

Internal timer
Minuterie interne
Temporizador interno
Interne Zeitschaltuhr
Timer interno
Temporizador interno

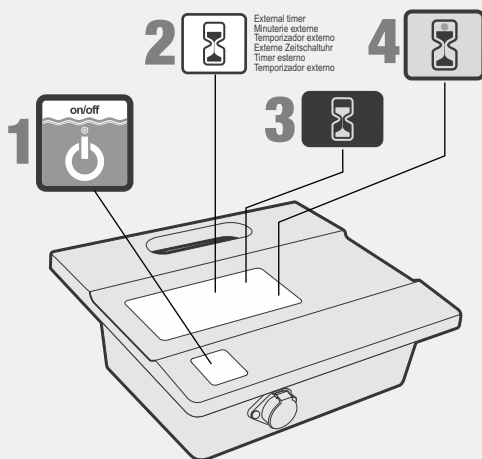
Check filter
Vérifiez le filtre
Revise el filtro
Filter überprüfen
Controllare il sacchetto filtrante
Verifique o Filtro

External timer
Minuterie externe
Temporizador externo
Externe Zeitschaltuhr
Timer esterno
Temporizador externo

PROGRAM 03	96h	
PROGRAM 02	72h	
PROGRAM 01	48h	

SPS 100

SPS 200



Pannello di controllo consiste di:
- Interruttore On/Off (1) – avvia ed arresta il funzionamento del robot.

- Descrizione delle funzioni (2) – descrive le funzioni
- Pulsante di controllo (3) – di colore blu, consente di selezionare le funzioni di rilievo.
- Indicazione di stato (4) – il LED si accende per indicare l'opzione selezionata o lo stato del robot.

Aquacontrol




Swivel
Pivot
Drehlager
Manopla di disattorcigliamento
Swivel

Cleaning program
Mode nettoyage
Programa de limpeza
Reinigungsprogramm
Programma di pulizia
Programa de limpeza

Internal timer
Minuterie interne
Temporizador interno
Interne Zeitschaltuhr
Timer interno
Temporizador interno

Check filter
Vérifiez le filtre
Revise el filtro
Filter überprüfen
Controllare il sacchetto filtrante
Verifique o Filtro

External timer
Minuterie externe
Temporizador externo
Externe Zeitschaltuhr
Timer esterno
Temporizador externo

HIGH	PROGRAM 03	96h	
NORMAL	PROGRAM 02	72h	
	PROGRAM 01	48h	

SPS 300

Aquacontrol

Auto detect
Auto detection
Auto detección
Automatische Erkennung
Auto diagnosi
Detección automática

Swivel
Pivot
Drehlager
Manopla di disattorcigliamento
Swivel




Internal timer
Minuterie interne
Temporizador interno
Interne Zeitschaltuhr
Timer interno
Temporizador interno

External timer
Minuterie externe
Temporizador externo
Externe Zeitschaltuhr
Timer esterno
Temporizador externo

Pool shape
Forme de piscine
Forma da piscina
Beckenform
Forma piscine
Forma da piscina

Cleaning program
Mode nettoyage
Programa de limpeza
Reinigungsprogramm
Programma di pulizia
Programa de limpeza

Check filter
Vérifiez le filtre
Revise el filtro
Filter überprüfen
Controllare il sacchetto filtrante
Verifique o Filtro

HIGH	PROGRAM 03	96h	
NORMAL	PROGRAM 02	72h	
	PROGRAM 01	48h	

SPS 400

Aquacontrol

Auto detect
Auto detection
Auto detección
Automatische Erkennung
Auto diagnosi
Detección automática

Swivel
Pivot
Drehlager
Manopla di disattorcigliamento
Swivel







Cleaning Level
Niveau de Nettoyage
Nível de Limpeza
Reinigungsstufe
Livello di pulizia
Nível de Limpeza

Delay
Retard
Retrasar
Ritardo
Atrasar

Pool shape
Forme de piscine
Forma da piscina
Beckenform
Forma piscine
Forma da piscina

Cleaning program
Mode nettoyage
Programa de limpeza
Reinigungsprogramm
Programma di pulizia
Programa de limpeza

Check filter
Vérifiez le filtre
Revise el filtro
Filter überprüfen
Controllare il sacchetto filtrante
Verifique o Filtro

HIGH	PROGRAM 03		
NORMAL	PROGRAM 02		
	PROGRAM 01		

SPS 500

100/200
300/400
500

**Controllare il sacchetto filtrante**

- Quando la spia si illumina, questo significa che il sacchetto-filtro deve essere estratto, pulito ed installato opportunamente di ritorno nel robot per un funzionamento efficiente.

Nei Modelli 300, 400, 500 - il robot smetterà di salire sulle pareti dal momento in cui si accende la spia di controllo filtro

100

**Tempo di pulizia**

- tempo speso della pulizia della piscina. Premere il pulsante per selezionare il tempo desiderato. La spia rossa indicherà la selezione effettuata.

Questa funzione può essere selezionata solo quando l'alimentazione è in modalità standby

200
300/400

**Timer interno - Opzione di funzionamento automatico:**

Ogni 48 ore

Ogni 72 ore

Ogni 96 ore

200/300

**Selezione del programma di pulizia:**

Programma 01 – programma di 1 ora di pulizia del fondale e delle pareti.

Programma 02 – programma di 1,5 ore di pulizia del fondale e delle pareti.

Programma 03 – programma di 2 ore di pulizia del fondale e delle pareti.

400

**Selezione del programma di pulizia:**

Programma 01 – programma di 1,5 per la pulizia del solo fondale

Programma 02 – programma di 2 ore di pulizia del fondale e delle pareti.

Programma 03 – programma di 2,5 ore di pulizia del fondale e delle pareti.

500

**Cleaning program selection.**

Programma 01 – programma di 2 ore per la pulizia del solo fondale

Programma 02 – programma di 4 ore di pulizia del fondale e delle pareti. (alcuni modelli non sono dotati della funzione di pulizia delle pareti)

Programma 03 – programma di 5 ore di pulizia del fondale e delle pareti. (alcuni modelli non sono dotati della funzione di pulizia delle pareti)

200
300/400

**Timer esterno**

Questa funzione consente all'utente finale di programmare i tempi di pulizia grazie ad un timer esterno (fornito separatamente). Premendo questo pulsante si attiva e si disattiva questa funzione.

300/400
500

**Mulinello** – regola la velocità di giri dei robot in piscina.

Normale – Funzionamento standard

Alta – Velocità diversa di giri

400/500



Rilevamento automatico: questa caratteristica evita che il robot si scontri con ostacoli in piscina, quali drenaggi principali, gradini, scale ecc. Premere questo pulsante per scegliere una delle seguenti opzioni:



Rilevamento automatico - OFF Questa opzione deve essere selezionata se si vede il robot per la pulizia della piscina invertire la direzione di marcia all'interno della piscina senza entrare in contatto con alcun ostacolo.



Rilevamento automatico - ON Il robot per la pulizia della piscina deve cambiare direzione quando entra in contatto con certi ostacoli. Scegliere questa opzione quando in piscina ci sono ostacoli quali sistemi di pulizia sul fondale, drenaggi principali e scalette.

400/500



Forma della piscina:

Consente al robot di calcolare il sistema di pulizia più efficiente per la forma di piscina scelta. Premere il pulsante per selezionare la geometria più adatta alla forma della piscina. La spia rossa indicherà la selezione effettuata.

500



Grado di pulizia – Per modificare le caratteristiche di pulizia



Veloce: Va scelto se la piscina non è molto sporca



Regolare: Va scelto per la manutenzione giornaliera



Totale: Va scelto se la piscina è molto sporca

500

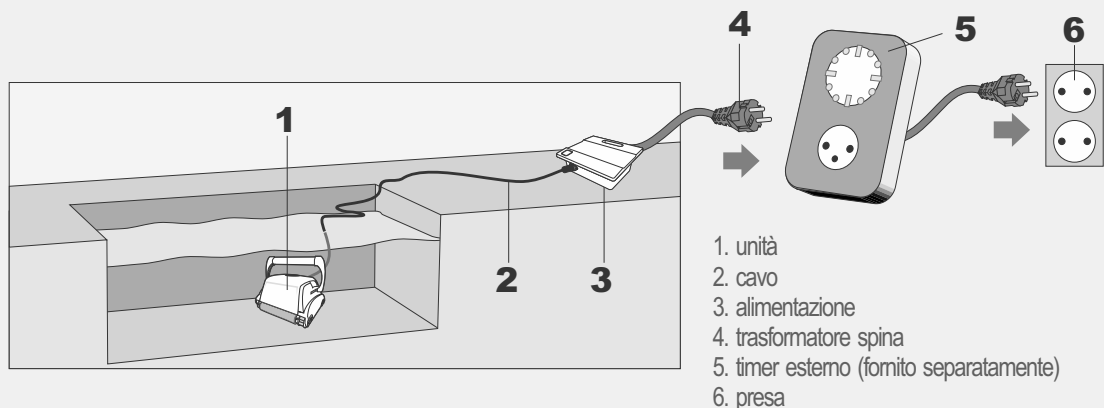


Ritardo

Quando quest'opzione è attiva, il pulitore si metterà in funzione con 2 ore di ritardo.

Questa funzione viene utilizzata per lasciare che le impurità presenti nell'acqua si possano depositare sul pavimento.

Temporizzatore esterno



Usando un temporizzatore esterno
(Facoltativo, va acquistato separatamente)

Può essere usato un temporizzatore esterno per attivare automaticamente il robot per la pulizia della piscina ad un'ora stabilita. Il temporizzatore esterno deve essere inserito fra la presa di rete e l'unità di alimentazione e controllo

Ricerca dei guasti

IL ROBOT NON SI ACCENDE.

Manca la corrente nella presa di rete elettrica.

1. Disconnettere il robot dall'unità di potenza e controllo.
2. Disconnettere l'alimentatore dalla presa elettrica di rete, attendere 30 secondi e ricollegare.
3. Accendere il robot. Se non si attiva, collegare l'unità ad un'altra presa elettrica.

Il cavo galleggiante non è collegato correttamente all'unità di potenza e controllo.

Disconnettere il cavo galleggiante dall'unità di potenza e controllo.

Un ostacolo nel sistema di trazione del robot.

1. Rovesciare cautamente il robot per vederne il fondo.
2. Ruotare manualmente i cingoli e le spazzole. Questi devono poter ruotare, ma non liberamente.
3. Pulire e rimuovere ostacoli e depositi, se necessario.

L'elica è rotta a causa dell'accumulo di peli.

Verificare se l'elica è rotta o necessita una ripulita (vedere "Controllo dell'elica di espulsione dell'acqua").

IL ROBOT SI MUOVE MA NON POMPA ACQUA.

I filtri sono sporchi.

1. Smontare i filtri
2. Attivare il robot nella piscina senza i filtri. Se funziona normalmente, pulire le pareti dei filtri o sostituire i filtri.

L'elica è rotta o bloccata dall'accumulo di peli.

Verificare se l'elica è rotta o necessita una ripulita (vedere "Controllo dell'elica di espulsione dell'acqua").

IL ROBOT POMPA ACQUA MA NON SI MUOVE.

Un ostacolo nel sistema di trazione del robot.

1. Rovesciare cautamente il robot per vederne il fondo.
2. Ruotare manualmente i cingoli e le spazzole. Questi devono poter ruotare, ma non liberamente.
3. Pulire e rimuovere ostacoli e depositi, se necessario.

IL ROBOT INIZIA A MUOVERSI MA SI ARRESTA DOPO BREVE TEMPO.

I filtri sono sporchi.

1. Smontare i filtri.
2. Attivare il robot nella piscina senza i filtri. Se funziona normalmente, pulire le pareti dei filtri o sostituire i filtri.

L'elica è rotta o bloccata dall'accumulo di peli.

1. Rimuovere le viti superiori dell'uscita superiore.
2. Verificare se l'elica è rotta o va pulita.

Un ostacolo nel sistema di trazione del robot.

1. Rovesciare cautamente il robot per vederne il fondo.
2. Ruotare manualmente i cingoli e le spazzole. Questi devono poter ruotare, ma non liberamente.
3. Pulire e rimuovere ostacoli e depositi, se necessario.

IL ROBOT NON RACCOGLIE LA SPORCIZIA.

I filtri sono sporchi o forati.

Pulire i filtri e verificare che non vi siano fori.

L'elica è rotta o bloccata dall'accumulo di peli.

Verificare se l'elica è rotta o necessita una ripulita (vedere "Controllo dell'elica di espulsione dell'acqua").

L'ingresso d'aspirazione non è sufficientemente vicino alla superficie del fondale.

Regolare l'ingresso d'aspirazione OUT (vedere "Regolazione dell'altezza d'aspirazione").

IL ROBOT EMETTE SPORCIZIA QUANDO VIENE RIMOSSO DALLA PISCINA.

L'otturatore del filtro è rotto o manca del tutto.

Aprire i filtri e verificare che l'otturatore non sia rotto e funziona correttamente (vedere "Pulizia dei filtri")

Fori nei filtri.

Aprire i filtri e verificare che non vi siano fori nelle retine dei filtri (vedere "Pulizia dei filtri")

Il coperchio inferiore non è ben chiuso.

Assicurarsi che il coperchio inferiore sia chiuso correttamente.

Ricerca dei guasti

L'UNITÀ DI PULIZIA NON COPRE TUTTA LA PISCINA.

I filtri sono sporchi.

Pulire i filtri.

Il cavo galleggiante non è lungo a sufficienza da permettere che il robot raggiunga l'estremità lontana della piscina, oppure il cavo è attorcigliato.

1. Verificare che il cavo galleggiante sia lungo a sufficienza da permettere che il robot raggiunga l'estremità lontana della piscina.
2. Verificare che il cavo galleggiante sia svolto correttamente e non sia aggrovigliato."

L'angolo della maniglia galleggiante influisce sul movimento del robot.

Aumentare l'angolo diagonale della maniglia galleggiante (vedere "Regolazione della maniglia galleggiante").

Il pH dell'acqua non è corretto.

Assicurare che il pH si trovi tra 7,2 e 7,6.

Il contenuto di cloro non è corretto.

Controllare il trattamento del cloro nell'acqua e correggere se richiesto (Estrarre il robot dalla piscina durante il trattamento.)

L'elica è rotta o bloccata dall'accumulo di peli.

1. Rimuovere le viti superiori dell'uscita superiore.
2. Verificare se l'elica è rotta o va pulita.

Un ostacolo nel sistema di trazione del robot.

1. Rovesciare cautamente il robot per vederne il fondo.
2. Ruotare manualmente i cingoli e le spazzole. Questi devono poter ruotare, ma non liberamente.
3. Pulire e rimuovere ostacoli e depositi, se necessario.

IL ROBOT NON SI ARRAMPICA SULLE PARETI.

Il robot non si arrampica sulle pareti della piscina.

1. Verificare che il modello del robot non sia per solo fondale.
2. Verificare che P1, per la sola pulizia dei fondali, non sia stato selezionato nell'unità di potenza e controllo (vedere "Programmazione del robot").

I filtri sono sporchi.

Pulire i filtri.

L'elica è rotta o bloccata dall'accumulo di peli.

Verificare se l'elica è rotta o necessita una ripulita (vedere "Controllo dell'elica di espulsione dell'acqua").

Il pH dell'acqua non è corretto.

Assicurare che il pH si trovi tra 7,2 e 7,6.

Il contenuto di cloro non è corretto.

Controllare il trattamento del cloro nell'acqua (estrarre il robot dalla piscina durante il trattamento.)

La temperatura dell'acqua non è quella raccomandata.

La temperatura raccomandata va da 22°C a 32°C (72°F-90°F).

IL CAVO È ATTORCIGLIATO.

I filtri sono sporchi.

Pulire i filtri.

Il coperchio inferiore non è ben chiuso.

Assicurarsi che il coperchio inferiore sia chiuso correttamente.

Il cavo non è stato svolto prima di introdurre il robot in piscina.

Assicurarsi che il cavo sia completamente svolto e non intrecciato prima di mettere in funzione il robot.

La lunghezza del cavo immerso è eccessiva.

Verificare che la lunghezza del cavo immerso sia eguale alla diagonale della piscina più due metri.

L'elica è rotta o bloccata dall'accumulo di peli.

Verificare se l'elica è rotta o necessita una ripulita (vedere "Controllo dell'elica di espulsione dell'acqua").

IL TELECOMANDO NON FUNZIONA.

La batteria è scarica. Il LED lampeggia o è spento.

Controllare la batteria premendo uno dei pulsanti. Se la batteria è scarica, la lucetta rossa del telecomando non lampeggia o resta stabilmente accesa. Contattare il rivenditore o il centro del servizio d'assistenza.

Telecomando (optional)

Questo capitolo illustra il funzionamento del telecomando facoltativo. Il telecomando è compreso in alcuni modelli.

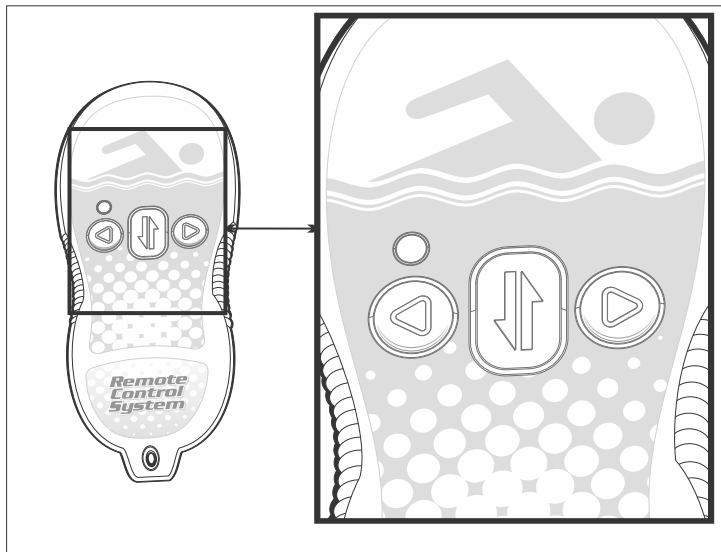
Visione generale del telecomando

Il telecomando è una funzione facoltativa che consente il controllo del robot con i pulsanti del comando a distanza. Quando i pulsanti del telecomando sono premuti, viene trasmesso un segnale radio all'unità di potenza e controllo. Tale segnale è trasformato in comando inviato al robot tramite il cavo galleggiante.

Uso del telecomando

1. Premere il pulsante di destra per fare sì che il robot giri a destra. Il robot continua a girare a destra fino a quando il pulsante è rilasciato.
2. Premere il pulsante di sinistra per fare sì che il robot giri a sinistra. Il robot continua a girare a sinistra fino a quando il pulsante è rilasciato.
3. Premere il pulsante Avanti/Indietro per fermare il robot ed invertire la sua direzione di moto.

Il LED del telecomando si accende dopo ogni comando. Se il LED non risponde o lampeggia, sostituire la batteria.



Il carrello Caddy (optional)

Il carrello Caddy è un accessorio facoltativo che facilita gli spostamenti del robot, del cavo galleggiante e dell'unità di potenza e controllo da un posto all'altro.

Montaggio del carrello Caddy

Per montare il carrello Caddy serve un cacciavite standard ed una chiave da 8 mm.

Collegamento della maniglia del Caddy

1. Assicurare la parte inferiore della maniglia (3) al telaio del carrello caddy (5) con tre viti (4) e dadi.
2. Collegare la parte superiore (1) alla parte inferiore della maniglia (3) usando viti (2) e dadi.

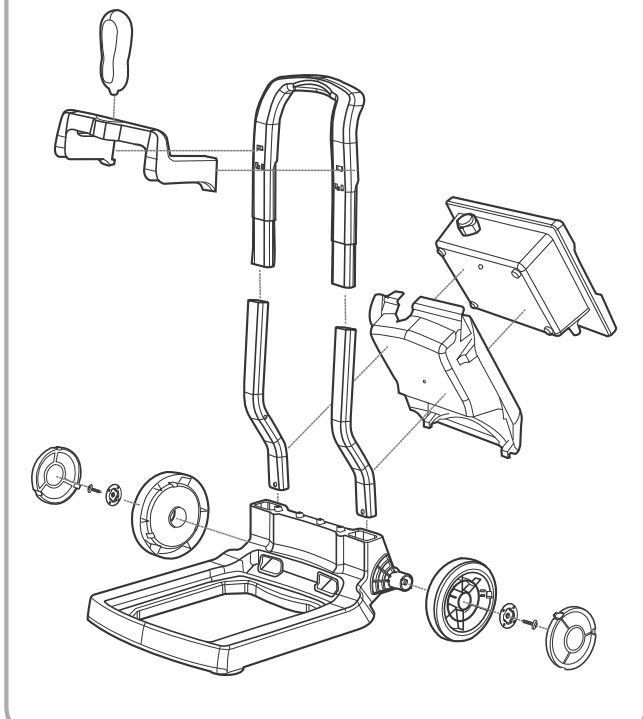
Carico del robot di pulizia sul carrello Caddy

1. Appoggiare il robot sulla base del Caddy.
2. Avvolgere il cavo galleggiante e appoggiarlo sull'unità di pulizia.
3. Appoggiare l'unità di potenza e controllo sul rotolo di cavo galleggiante.



Il carrello Trolley (optional)

Montagio

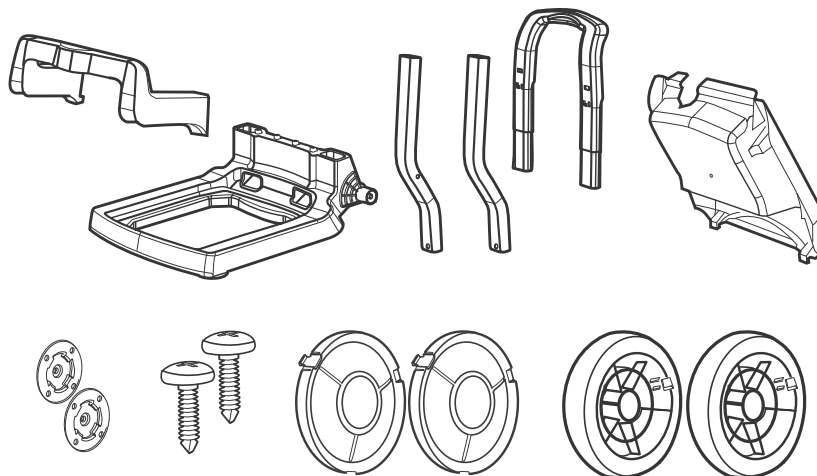


Il carrello è un accessorio facoltativo che facilita lo spostamento del robot e prevede un luogo di montaggio per l'unità di potenza e controllo.

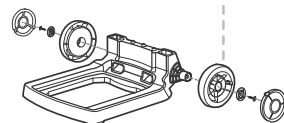
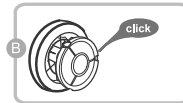
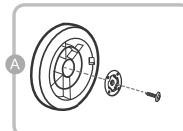
Per montare il carrello:

1. Attaccare le ruote ai due lati della base del carrello. Fissare ciascuna ruota con la vite ed installare il coperchio.
2. Montare le due sezioni della maniglia.
3. Fissare l'alloggiamento dell'unità di potenza e controllo agganciandone le alette superiori nei fori della maniglia.

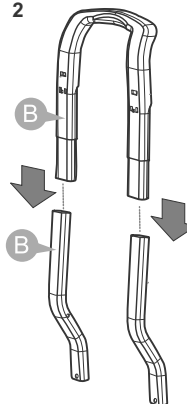
Componenti



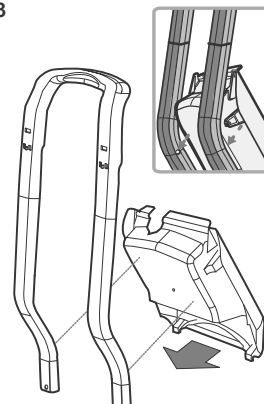
1



2

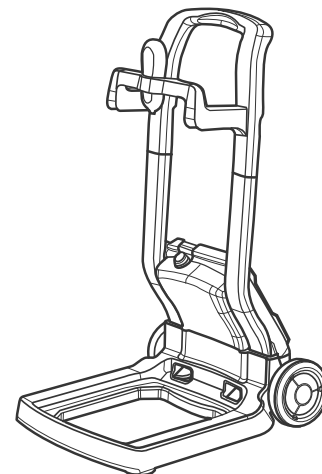
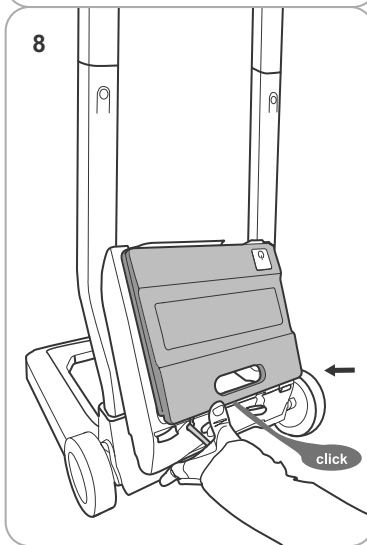
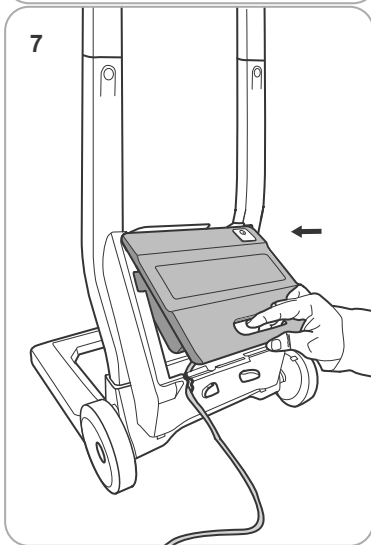
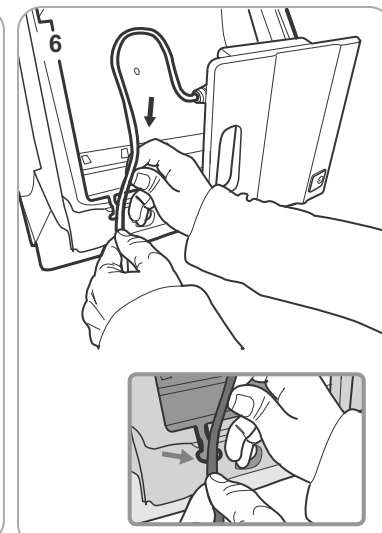
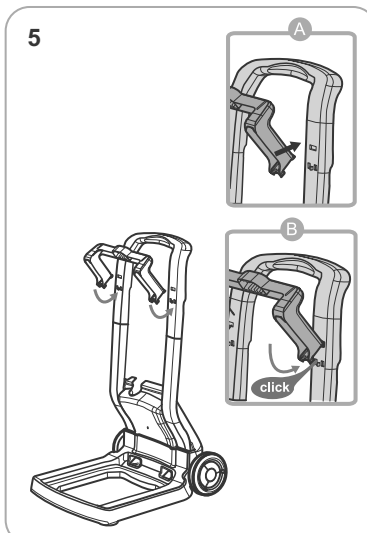
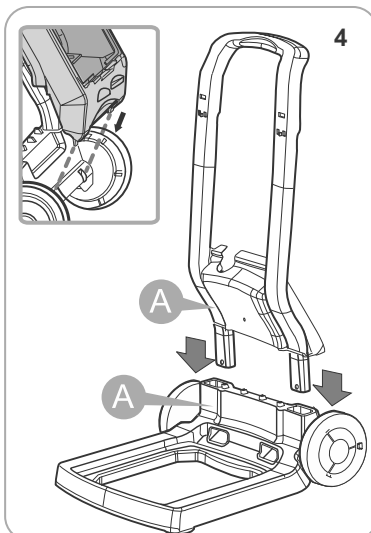


3



Il carrello Trolley (optional)

4. Inviare la maniglia nella base del carrello.. Agganciare le alette inferiori dell'unità di potenza e controllo alla base del carrello.
5. Fissare il porta-telecomando inserendone la parte superiore nella maniglia del carrello e ruotando il porta-telecomando verso il basso, finché la parte inferiore si aggancia.
6. Infilare il cavo dell'unità di potenza e controllo nella scanalatura della base del carrello.
7. Inserire la parte superiore dell'unità di potenza e controllo nell'alloggiamento
8. Spingere la parte bassa verso il basso finché si aggancia alla base del carrello.



Sumário

Instruções de segurança

Introdução

- Visão geral do sistema
- Como o limpador robótico limpa sua piscina
- Condições operacionais

Componentes

- O limpador robótico
- Unidade de controle e energia

Operação

- Antes do primeiro uso
- Colocando a unidade de limpeza na água
- Ligando o limpador robótico
- Ciclo de limpeza
- Parando a operação do limpador robótico
- Retirando a unidade de limpeza da água

Manutenção

- Limpeza dos filtros
- Armazenamento do limpador robótico
- Verificação do propulsor de saída de água

Opções de programação

- Painel de controle
- Botões sobrepostos
- Temporizador externo

Solução de problemas

Controle remoto

- Visão geral do controle remoto
- Utilizando o controle remoto

Caddy (opcional)

- Montagem do caddy
- Conectando a alça do caddy
- Carregando o limpador robótico no caddy

Carrinho "Trolley" (opcional)

- Componentes
- Montagem do carrinho

IMPORTANTES INSTRUÇÕES DE SEGURANÇA LEIA E SIGA TODAS AS INSTRUÇÕES

CUIDADO: Não ligue a fonte de alimentação em uma tomada aterrada e não ligue "ON" o limpador de piscina se o mesmo não estiver totalmente submerso na água. Operar o limpador fora da água causa severos danos imediatos e resulta na perda da garantia.

Deixe o limpador ficar na piscina por 15 a 20 minutos seguindo o final de seu ciclo de limpeza. Isto permite que os motores esfriem adequadamente. Não deixe o limpador dentro da piscina todo o tempo. Lembre-se sempre de desligar/OFF a fonte de alimentação e retirar o limpador da tomada elétrica antes de removê-lo da piscina.

ADVERTÊNCIA: O limpador não deve ser usado quando houver pessoas na água. Para utilização somente em piscinas de natação.

Nota de segurança

- A unidade deve ser alimentada através de um disjuntor diferencial (DR) que tenha uma corrente operacional residual classificada, que não exceda 30 mA.
- A conexão com o circuito ramal deve ser coerente com as regras de fiação locais e nacionais.
- O manejo indevido da unidade pode resultar em vazamento de lubrificantes.
- Se o fio de alimentação estiver danificado, ele deve ser substituído pelo agente de serviço do fabricante ou por uma pessoa qualificada e treinada a fim de se evitar riscos.



Este aparelho não foi projetado para ser usado por pessoas (incluindo crianças) com capacidades físicas, sensoriais ou mentais reduzidas ou com falta de experiência e conhecimento, a menos que recebam supervisão ou instrução referentes ao uso do aparelho por uma pessoa responsável pela sua segurança. Crianças devem ser vigiadas para garantir que não brinquem com o aparelho.



ADVERTÊNCIA: Um interruptor de corrente de falha de aterramento (GFCI-USA) ou um dispositivo de corrente residual (RCD-EUROPA) deve ser instalado para proteger sua tomada elétrica e prevenir qualquer choque elétrico possível.

GUARDE ESTAS INSTRUÇÕES

Introdução

Visão geral do sistema

O limpador robótico varre o chão e as paredes da piscina para coletar sujeira e detritos em seus filtros internos. Este manual do usuário explica como operar o limpador robótico, incluindo procedimentos de limpeza, manutenção e armazenamento.

Nota:

Este manual analisa diversos modelos de limpadores robóticos. Há algumas variações nos componentes de acordo com o modelo específico.

Como o limpador robótico limpa sua piscina

Após o limpador robótico ser colocado na piscina e ativado, ele opera de acordo com o programa ajustado através da unidade de controle e energia. O limpador robótico se move pelo chão e as paredes da piscina, cobrindo a área inteira da do chão e paredes da piscina. Quando o limpador robótico termina seu programa, ele permanece inativo no chão da piscina.

Nota:

Subir na parede é um recurso opcional. Quando o recurso de subir na parede está ativo, o limpador robótico sobe na parede em intervalos de acordo com seu programa interno. A capacidade do limpador robótico de subir em escadas na piscina está sujeita à geometria e o material da escada.

Condições operacionais

O limpador robótico é destinado ao uso em piscinas nas seguintes condições:

- Temperaturas que variam de 13°C a 35°C (55°F-95°F), a temperatura recomendada é entre 22°C a 32°C (72°F-90°F).

- pH da água : 7.2 - 7.6

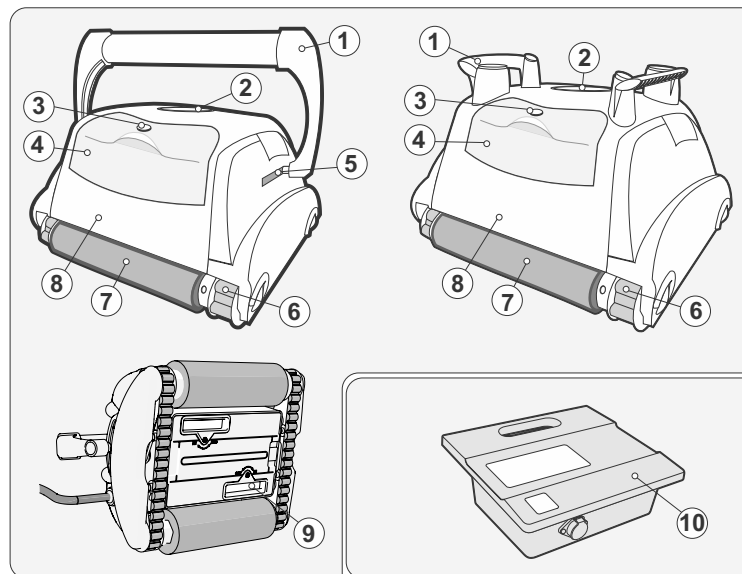
- Nível de cloro: a manutenção da piscina é de acordo com as instruções do fabricante da piscina.

Nota:

A falha na manutenção da piscina de acordo com as condições operacionais recomendadas pode impedir que o limpador robótico funcione adequadamente.

Retire o limpador para fora da água quando realizar o "Tratamento de choque químico" na água da piscina.

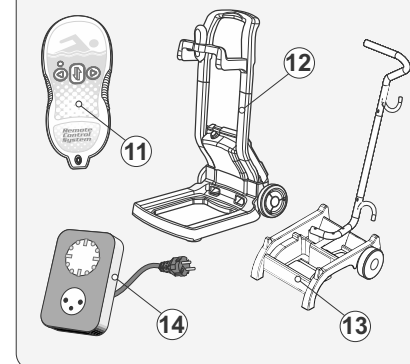
Componentes



- 1) Alavanca
- 2) Tampo de saída
- 3) Desengate da trava do filtro
- 4) Acesso superior ao filtro
- 5) Mecanismo de trava da alavanca
- 6) Esteira motriz
- 7) Escova de limpeza
- 8) Corpo da máquina
- 9) Entrada de água
- 10) Unidade de controle e energia

- 11) Controle remoto
- 12) Carrinho "Trolley"
- 13) Carrinho "Caddy"
- 14) Temporizador externo (comprado separadamente)

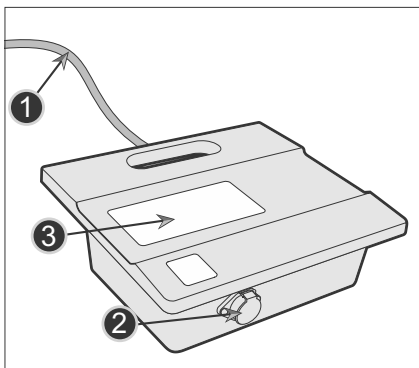
Opcional



Componentes

Unidade de controle e energia

A unidade de controle e energia é conectada ao limpador robótico através do cabo flutuante. A unidade é energizada por energia CA (1) e fornece baixa tensão e comandos à unidade de limpeza através da tomada de saída (2). A unidade apresenta um painel de controle (3) com vários controles para operar o limpador robótico.



Conteúdo da caixa de embalagem

O limpador robótico é embalado em uma caixa contendo:

- O limpador robótico e o cabo flutuante
- Unidade de controle e energia
- Manual do usuário

De acordo com o modelo comprado, os seguintes acessórios podem estar inclusos na embalagem:

- Controle remoto
- Caddy
- Carrinho
- Acessórios adicionais

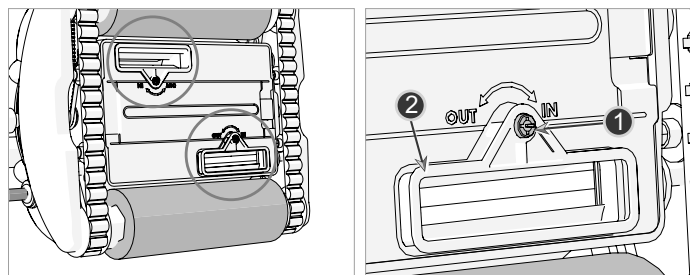
Operação

Antes do primeiro uso

Ajuste da altura de sucção. Posicionar a entrada de sucção (2) próxima à superfície da piscina aumenta a potência de sucção e a qualidade da limpeza. Abaixar a entrada de sucção pode resultar em interferência com obstáculos no chão e paredes da piscina.

Use uma chave de fenda para ajustar o botão de posição da entrada de sucção.

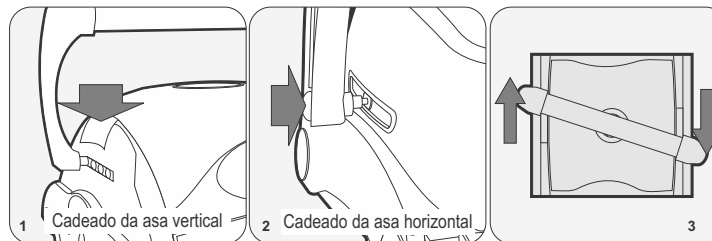
- PARA DENTRO – puxa a entrada de sucção para longe da superfície da piscina e reduz a potência da sucção.
- PARA FORA – coloca a entrada de sucção para próximo da superfície da piscina e aumenta a potência da sucção.



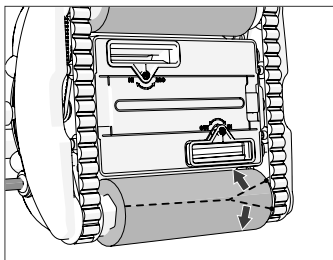
Ajuste da alça flutuante

Nos modelos que sobem na parede, ajuste a alça flutuante:

1. Pressione o botão de trava (1 ou 2 de acordo com o modelo) para liberar a trava da alça.
2. Posicione a alça (3) diagonalmente na posição máxima.
3. Repita as etapas 1 e 2 no outro lado da unidade de limpeza.



Operação

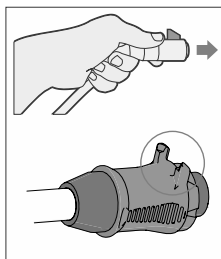
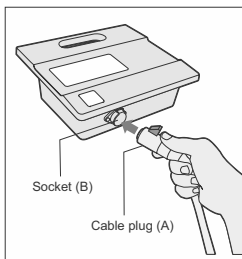
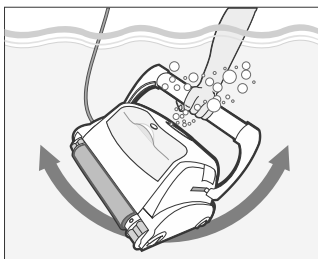
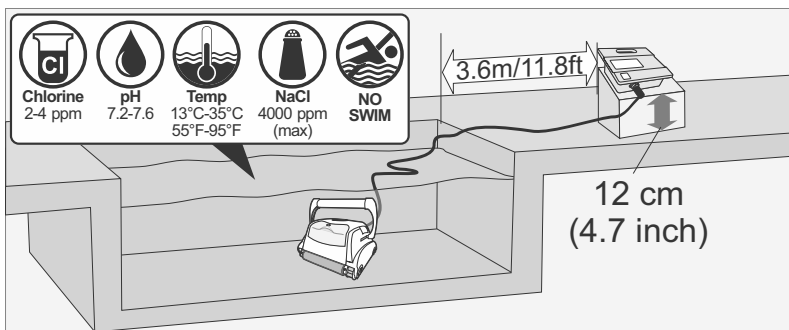


Remoção das proteções da escova

O limpador robótico é enviado com uma camada protetora sobre as escovas de esfregar. Cuidadosamente, remova as proteções de náilon das escovas de esfregar.

CUIDADO

Não use ferramenta afiada para remover a proteção, isso pode danificar as escovas.



Posicionando a Unidade de controle e energia

4. Coloque a unidade de controle e energia a pelo menos 3,6 metros/11,8 pés da piscina e a pelo menos 12 cm/4 polegas acima da superfície.

CUIDADO: A unidade de controle e energia não deve ser exposta à água ou luz solar direta.

5. Solte as amarras plásticas do cabo flutuante, que são usadas para prender os cabos durante o transporte, pressionando o engate plástico na amarra.

Antes de colocar a unidade de limpeza na água

1. Certifique-se de que não há pessoas na piscina.
2. Certifique-se de que os filtros estejam limpos.
3. Certifique-se de que as condições da piscinas são adequadas; (veja "Condições operacionais").

Colocando a unidade de limpeza na água

1. Desenrole o cabo flutuante. Recomenda-se esticar o cabo a um comprimento que seja igual ao tamanho diagonal da piscina com mais dois metros adicionais.
2. Coloque a unidade de limpeza na piscina.
3. Deixe o limpador robótico afundar até o fundo da piscina. Não inicie a operação antes do limpador robótico ter assentado no chão da piscina.
4. Espalhe o cabo flutuante pela piscina. Certifique-se de que apenas o comprimento adequado de cabo seja espalhado pela piscina. Desfaça torções ou enrolamentos no cabo. Desenrole cabo extra para fora da piscina, próximo à unidade de controle e energia.
5. Conecte o cabo flutuante (A) à tomada (B) localizada na unidade de controle e energia.

CUIDADO: Operar o limpador fora da água causa graves danos imediatos e resulta na perda da garantia.

Operação

Ligando o limpador robótico

Conecte a unidade de controle e energia à tomada na parede (1). O LED de operação (4) acende e o limpador robótico inicia seu programa de limpeza.

Se a unidade de controle e energia já estiver conectada à tomada CA, o LED de operação (5) pisca para indicar que o limpador robótico já está no modo de espera.

Pressione o botão de operação (6). O LED de operação acende e o limpador robótico inicia o programa de limpeza.

Nota: Quando o LED Verificar filtro está aceso (3), o limpador robótico deve ser limpo antes da unidade de limpeza ser colocada na piscina. O LED Verificar filtro é opcional em alguns modelos.

Ciclo de limpeza

Durante o ciclo de limpeza, o limpador robótico:

- Move-se pelo chão da piscina recolhendo sujeira e detritos.
- Muda a direção e gira automaticamente de acordo com o programa selecionado
- Sobe nas paredes da piscina a cada alguns minutos, conforme ajustado no seu programa interno.

Nota: O limpador robótico pode, ocasionalmente, parar de se mover por alguns segundos. Isto faz parte da operação normal, não é uma falha.

Parando a operação do limpador robótico

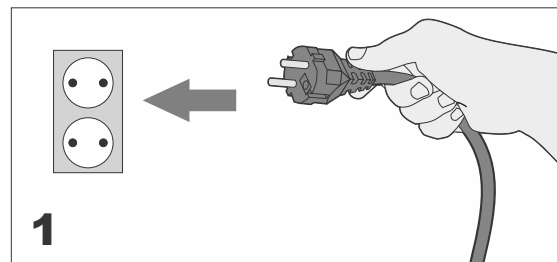
O limpador robótico passa automaticamente para o modo de ESPERA após todo ciclo de limpeza, e o LED de operação (5) começa a piscar.

Para parar a operação de limpeza durante um ciclo de limpeza, pressione o botão de operação (7) uma vez. O LED de operação (7) começa a piscar e o limpador passa para o modo de espera.

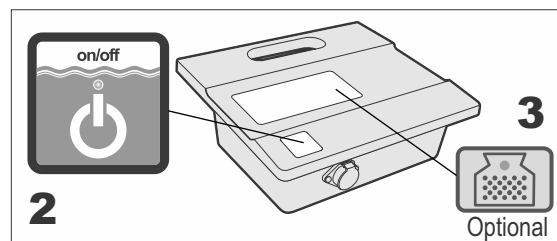
Retirando a unidade de limpeza da água

1. Desconecte o cabo flutuante da unidade de controle e energia.
2. Puxe para cima o cabo flutuante para puxar a unidade de limpeza para próximo até que seja possível segurar a alça.
3. Usando a alça, retire a unidade de limpeza da piscina.

Cuidado: Não use o cabo flutuante para retirar a unidade de limpeza para fora da água.



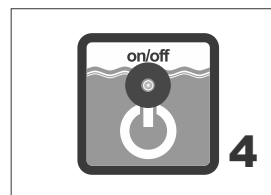
1



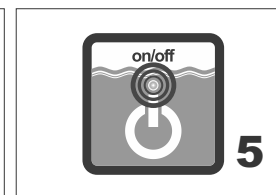
2

3

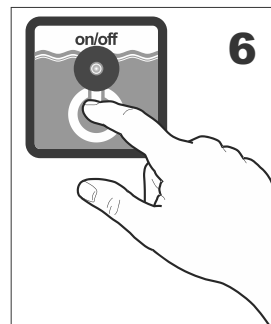
Optional



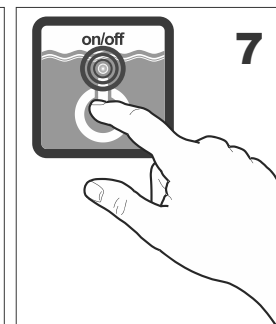
4



5

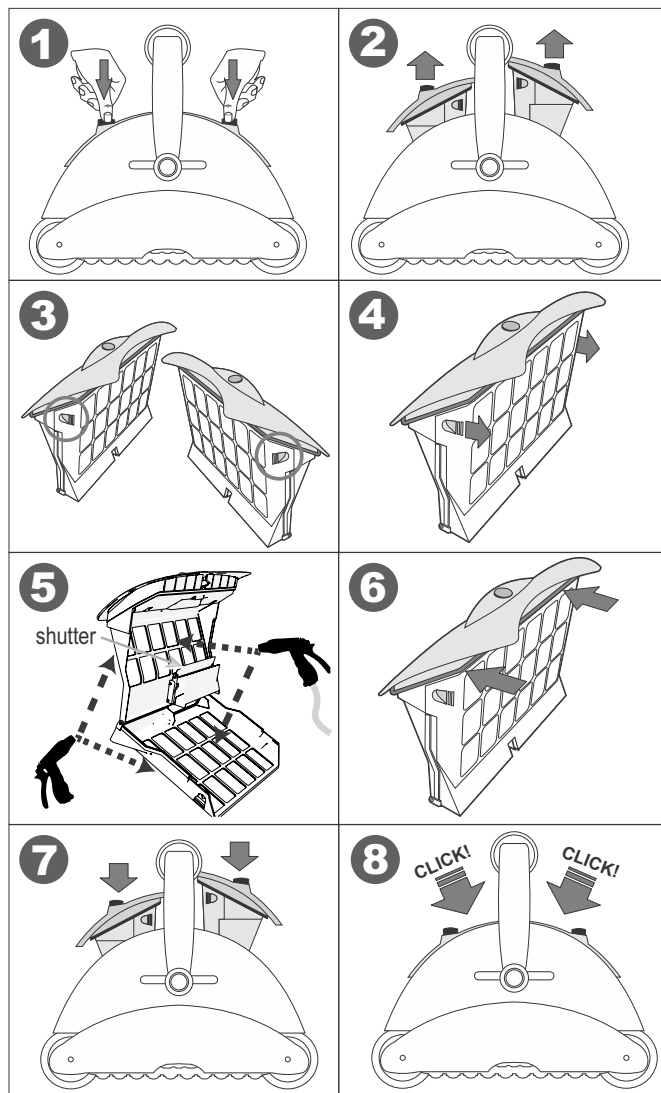


6



7

Manutenção



Limpeza dos filtros

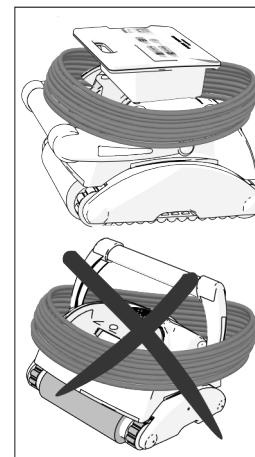
Os dois filtros devem ser limpos após cada ciclo de limpeza.

1. Solte o filtro e puxe para fora da unidade de limpeza. (1), (2)
2. Puxe a porta do filtro contra o compartimento do filtro para abrir a caixa do filtro. (3), (4)
3. Pulverize água nas laterais externas do filtro e depois pulverize água em direção à lateral interna do filtro para limpar toda a sujeira e detritos. (5)
4. Verifique se o obturador plástico pequeno (2) está no lugar e não está quebrado. (6)
5. Insira o filtro novamente na sua posição, até que seja ouvido um som de clique, para prender o filtro no lugar. (7), (8)

Armazenamento do limpador robótico

Siga estas instruções para armazenar o limpador robótico quando não estiver em uso:

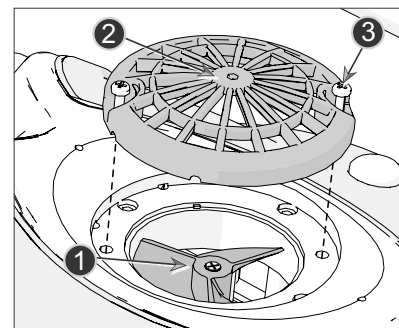
1. Desconecte o cabo de energia da tomada.
 2. Desconecte o cabo flutuante da unidade de controle e energia.
 3. Espalhe o cabo flutuante e desfaça qualquer torção no cabo.
 4. Limpe o espaço interior da unidade de limpeza com água limpa e espere secar.
 5. Enrole o cabo flutuante e coloque-o na unidade de limpeza.
- Cuidado:** Não enrole o cabo flutuante na alça da unidade de limpeza.
6. Guarde os componentes do limpador robótico em um local fechado e seco.
 7. Verifique se a unidade de controle e energia não está exposta à água.



Verificação do propulsor de saída de água

Recomenda-se periodicamente limpar os detritos e cabelos do propulsor da saída de água.

1. Remova os parafusos (3) que prendem a tampa da saída de água (2).
2. Remova a tampa da saída de água (2).
3. Limpe todo cabelo, sujeira ou detritos.
4. Verifique se o propulsor (1) não está quebrado.
5. Retorne a tampa (2) e parafuse os parafusos



Este capítulo analisa as opções de programação. Pule este capítulo se o seu modelo não seja programável ou se o limpador robotizado já esteve programado.

Aquacontrol



check filter
chèque filtre
filter überprüfen
controllare il sacchetto filtrante
revise el filtro



cleaning time
temps de nettoyage
reinjungszeit
tempo di pulizia
tiempo de limpieza




2.0H




1.5H

SPS 100


Aquacontrol




Cleaning program
Mode nettoyage
Programa de limpeza
Reinigungsprogramm
Programma di pulizia
Programa de limpeza






Internal timer
Minuterie interne
Temporizador interno
Interne Zeitschaltuhr
Timer interno
Temporizador interno



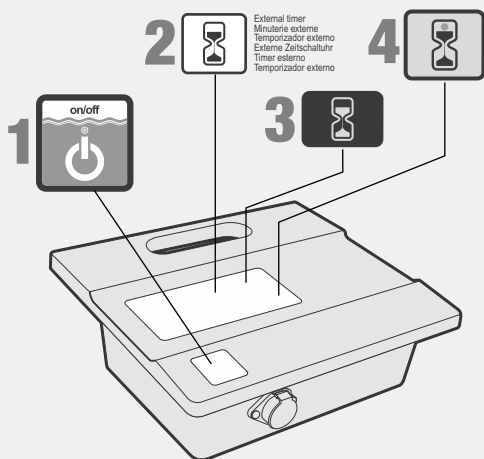
Check filter
Vérifiez le filtre
Revise el filtro
Filter überprüfen
Controllare il sacchetto filtrante
Verifique o Filtro



External timer
Minuterie externe
Temporizador externo
Externe Zeitschaltuhr
Timer externo
Temporizador externo

PROGRAM 03	96h	
PROGRAM 02	72h	
PROGRAM 01	48h	

SPS 200




Painel de controle


O painel de controle consiste em:

- Ligar/desligar energia (1) – liga e desliga a operação do limpador robótico.
- Descrição de função (2) – descreve a função
- Botões de controle (3) – marcados em azul, ativam a seleção da função relevante.
- Display de status (4) – o LED de indicação acende para exibir a opção selecionada ou o estado do limpador.


Aquacontrol




Swivel
Pivot
Drehlager
Manopola di disattorcigliamento
Swivel




Cleaning program
Mode nettoyage
Programa de limpeza
Reinigungsprogramm
Programma di pulizia
Programa de limpeza






Internal timer
Minuterie interne
Temporizador interno
Interne Zeitschaltuhr
Timer interno
Temporizador interno



Check filter
Vérifiez le filtre
Revise el filtro
Filter überprüfen
Controllare il sacchetto filtrante
Verifique o Filtro




External timer
Minuterie externe
Temporizador externo
Externe Zeitschaltuhr
Timer externo
Temporizador externo


HIGH	PROGRAM 03	96h	
NORMAL	PROGRAM 02	72h	
	PROGRAM 01	48h	

SPS 300


Aquacontrol




Auto detect
Auto detection
Auto detección
Automatische Erkennung
Auto diagnosi
Detección automática




Swivel
Pivot
Drehlager
Manopola di disattorcigliamento
Swivel




Internal timer
Minuterie interne
Temporizador interno
Interne Zeitschaltuhr
Timer interno
Temporizador interno




External timer
Minuterie externe
Temporizador externo
Externe Zeitschaltuhr
Timer externo
Temporizador externo






Pool shape
Forme de piscine
Forma da piscina
Beckenform
Forma piscine
Forma da piscina



Cleaning program
Mode nettoyage
Programa de limpeza
Reinigungsprogramm
Programma di pulizia
Programa de limpeza




Check filter
Vérifiez le filtre
Revise el filtro
Filter überprüfen
Controllare il sacchetto filtrante
Verifique o Filtro


HIGH	PROGRAM 03	96h	
NORMAL	PROGRAM 02	72h	
	PROGRAM 01	48h	

SPS 400


Aquacontrol




Auto detect
Auto detection
Auto detección
Automatische Erkennung
Auto diagnosi
Detección automática




Swivel
Pivot
Drehlager
Manopola di disattorcigliamento
Swivel




Cleaning Level
Niveau de Nettoyage
Nível de Limpeza
Reinigungsstufe
Livello di pulizia
Nível de Limpeza




Delay
Retard
Verzögerung
Ritardo
Atraso









Pool shape
Forme de piscine
Forma da piscina
Beckenform
Forma piscine
Forma da piscina



Cleaning program
Mode nettoyage
Programa de limpeza
Reinigungsprogramm
Programma di pulizia
Programa de limpeza



Check filter
Vérifiez le filtre
Revise el filtro
Filter überprüfen
Controllare il sacchetto filtrante
Verifique o Filtro

HIGH	PROGRAM 03		
NORMAL	PROGRAM 02		
	PROGRAM 01		

SPS 500

100/200
300/400
500**Verificação do filtro**

- Lâmpada acesa significa que a sacola do filtro deve ser removida, limpada e instalada adequadamente de novo no robô para funcionar com eficiência. Nos modelos 300,400, 500 - o limpador robótico não mais subirá as paredes uma vez que o Check Filter (Verificar Filtro) estiver aceso

100

**Tempo de limpeza** - Duração de tempo gasto para limpar a piscina.

Pressione o botão para selecionar o tempo desejado. Uma luz vermelha indicará sua seleção.

Esse recurso só pode ser escolhida quando a fonte de alimentação está em modo de standby

200
300/400**Temporizador interno** - Opção de operação automática:

A cada 48 horas

A cada 72 horas

A cada 96 horas

200/300

**Escolha do programa de limpeza:**

Programa 01 - Limpeza de 1 hora - fundo e parede.

Programa 02 - Limpeza de 1,5 horas - fundo e parede.

Programa 03 - Limpeza de 2 horas - fundo e parede.

400

**Escolha do programa de limpeza:**

Programa 01 - Limpeza de 1,5 horas - fundo.

Programa 02 - Limpeza de 2 horas - fundo e parede.

Programa 03 - Limpeza de 2,5 horas - fundo e parede.

500

**Cleaning program selection.**

Programa 01 - Limpeza de 2 horas - fundo.

Programa 02 - limpeza de 4 horas, fundo e paredes. (em certos modelos não há limpeza de parede)

Programa 03 - limpeza de 5 horas, fundo e paredes.(em certos modelos não há limpeza de parede)

200
300/400**Temporizador externo**

Esta característica oferece a opção para que o utilizador final programe o horário de limpeza via um temporizador externo (vendido separadamente). Premir este botão activa e desactiva esta característica.

300/400
500**Rotação** - ajuste a taxa de curvas do robô dentro da piscina.

Normal - Operação padrão

Alta - Taxa de curvas diferentes

400/500



Deteção automática: este recurso evita que o robô fique preso em obstáculos dentro da piscina como por exemplo nos principais drenos, degraus, escadas, etc. Aperte este botão e escolha uma das opções abaixo:



Deteção automática - OFF. Esta opção deve ser escolhida se você notar o limpador mudando de direcção no meio da piscina sem fazer contacto com nenhum obstáculo.



Deteção automática - ON. O limpador de piscinas deve mudar de direcção quando fizer contacto com certos obstáculos. Escolha esta opção quando a piscina tiver obstáculos tais como sistemas de limpeza embutidos no piso, drenos principais e escadas.

400/500



Formato da piscina:

Faz o robô calcular o modo de limpeza mais eficiente para o formato de piscina escolhido. Aperte o botão para escolher o desenho mais adequado ao formato da piscina. Uma luz vermelha indica a sua opção.

500



Nível de limpeza - Muda o desempenho da limpeza



Rápida: selecione se sua piscina tiver pouca sujeira



Regular: selecione para manutenção diária



Profunda: selecione se sua piscina tiver muita sujeira

500

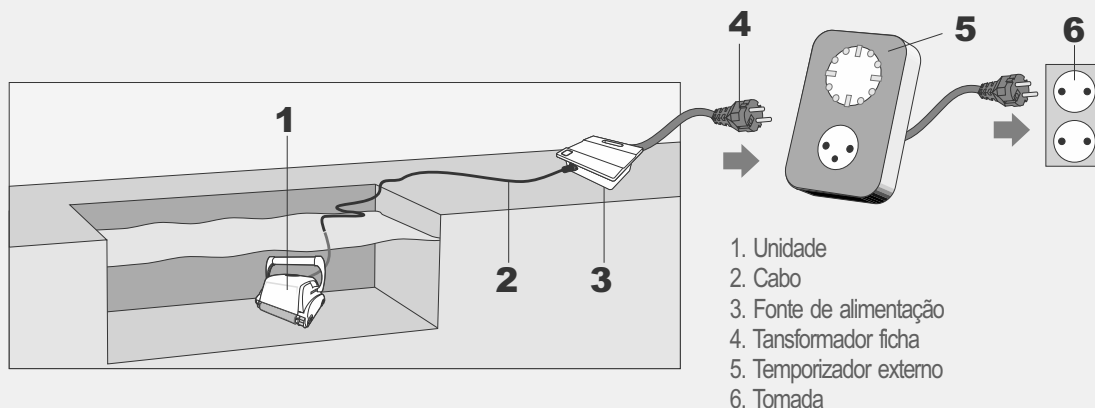


Retardo

Quando esta opção estiver ligada, o robô começará a trabalhar após 2 horas de retardo.

Este recurso é usado para deixar que os resíduos e poeiras se depositem no fundo da piscina, antes de começar a limpeza do robô.

Temporizador externo



1. Unidade
2. Cabo
3. Fonte de alimentação
4. Transformador ficha
5. Temporizador externo
6. Tomada

Usando o Temporizador Externo
(opcional, deve ser comprado separadamente)

Pode ser usado um Temporizador Externo para activar automaticamente o limpador no tempo pré-definido. O Temporizador Externo deve ser conectado entre a tomada de parede e a unidade de Potência e Controle.

Solução de problemas

O LIMPADOR NÃO LIGA.

Não há electricidade na ficha da parede.

1. Desconecte o limpador da unidade de controlo e energia.
2. Desconecte a fonte de alimentação da ficha da parede, espere 30 segundo e conecte novamente.
3. Ligue a fonte. Se não ligar, conecte a unidade a uma ficha da parede diferente.

O cabo flutuante não conecta correctamente à unidade de controlo e energia.

Conecte novamente o cabo flutuante à unidade de controlo e energia.

Obstáculo no sistema de accionamento na unidade de limpeza.

1. Ligue a unidade de limpeza com cuidado para ver a parte inferior.
2. Rode as faixas e as escovas com a mão. Devem girar, mas não livremente.
3. Limpe e remova obstáculos e detritos, se necessário.

A hélice está presa por causa do acúmulo de cabelo.

Verifique se a hélice está quebrada ou precisa ser limpa (veja "Como verificar a hélice da saída de água").

O LIMPADOR SE MOVE MAS NÃO BOMBEIA ÁGUA.

Os filtros estão sujos.

1. Remova os filtros
2. Execute o limpador robótico na piscina sem os filtros. Se funcionar correctamente, limpe bem os filtros ou os substitua.

A hélice está quebrada por causa do acúmulo de cabelo.

Verifique se a hélice está quebrada ou precisa ser limpa (veja "Como verificar a hélice da saída de água").

O LIMPADOR BOMBEIA ÁGUA MAS NÃO SE MOVE.

Obstáculo no sistema de accionamento na unidade de limpeza.

1. Ligue a unidade de limpeza com cuidado para ver a parte inferior.
2. Rode as faixas e as escovas com a mão. Devem girar, mas não livremente.
3. Limpe e remova obstáculos e detritos, se necessário.

O LIMPADOR INICIA MAS DESLIGA APÓS UM PERÍODO BREVE.

Os filtros estão sujos.

1. Remova os filtros.
2. Execute o limpador robótico sem os filtros. Se ele funcionar correctamente, limpe bem os filtros ou os substitua.

A hélice está quebrada por causa do acúmulo de cabelo.

1. Remova os parafusos superiores na saída de cima.
2. Verifique se a hélice está quebrada ou precisa ser limpa.

Obstáculo no sistema de accionamento na unidade de limpeza.

1. Ligue a unidade de limpeza com cuidado para ver a parte inferior.
2. Rode as faixas e as escovas com a mão. Elas devem girar, mas não livremente.
3. Limpe e remova obstáculos e detritos, se necessário.

O LIMPADOR NÃO RECOLHE A SUJEIRA.

Os filtros estão sujos ou temburacos.

Limpe como necessário e verifique se não há buracos nos filtros.

A hélice está quebrada por causa do acúmulo de cabelo.

Verifique se a hélice está quebrada ou precisa ser limpa (veja "Como verificar a hélice da saída de água").

A entrada de sucção não está próxima o suficiente do chão da piscina.

RETIRE a entrada da sucção (veja "Como ajustar o tamanho da sucção").

A SUJEIRA SAI DO LIMPADOR QUANDO ELE É REMOVIDO DA PISCINA.

A veneziana do filtro está quebrada ou faltando.

Abra os filtros e verifique se a veneziana do filtro não está quebrada e funciona correctamente (veja "Como limpar filtros")

Buracos nos filtros

Abra os filtros e verifique se há buracos nas telas dos filtros (veja "Como limpar filtros")

A tampa de baixo não está fechada correctamente.

Verifique se a tampa de baixo está fechada correctamente.

Solução de problemas

A UNIDADE DE LIMPEZA NÃO COBRE TODA A PISCINA.

Os filtros estão sujos.

Limpe os filtros.

Não há comprimento do cabo flutuante suficiente na água para alcançar o final da piscina ou o cabo está enrolado.

1. Verifique se há comprimento do cabo flutuante suficiente na água para alcançar o final da piscina ou o cabo está enrolado.
2. Verifique se o cabo flutuante está espalhado correctamente e não está enrolado.

O ângulo da alça flutuante afeta o movimento do limpador.

Aumente o ângulo diagonal da alça flutuante (veja “Como ajustar a alça flutuante”).

O pH da piscina está incorrecto.

Verifique se o nível de pH está entre 7,2 e 7,6.

O nível de cloro está incorrecto.

Confira o tratamento de cloro da água e o corrija, se necessário (remova o limpador da piscina durante o tratamento.)

A hélice está quebrada por causa do acúmulo de cabelo.

1. Remova os parafusos superiores na saída de cima.
2. Verifique se a hélice está quebrada ou precisa ser limpa.

Obstáculo no sistema de accionamento na unidade de limpeza.

1. Ligue a unidade de limpeza com cuidado para ver a parte inferior.
2. Rode as faixas e as escovas com a mão. Elas devem girar, mas não livremente.
3. Limpe e remova obstáculos e detritos, se necessário.

O LIMPADOR NÃO SOBE AS PAREDES.

O limpador não está subindo as paredes da piscina.

1. Verifique se o limpador robótico não é um modelo apenas para o chão.
2. Verifique se P1, somente para limpar o chão, não está seleccionado na unidade de controlo e energia (veja “Programações do limpador robótico”).

Os filtros estão sujos.

Limpe os filtros.

A hélice está quebrada por causa do acúmulo de cabelo.

Verifique se a hélice está quebrada ou precisa ser limpa (veja “Como verificar a hélice da saída de água”).

O nível de pH está incorrecto.

Verifique se o pH está entre 7,2 e 7,6.

O nível de cloro está incorrecto.

Confira o tratamento de cloro da água (remova o limpador da piscina durante o tratamento).

A temperatura da água não é opcional.

A temperatura recomendada é entre 22°C–32°C (72°F–90°F).

O CABO ESTÁ ENROLADO.

Os filtros estão sujos.

Limpe os filtros.

A tampa de baixo não está fechada correctamente.

Verifique se a tampa de baixo está fechada correctamente.

O cabo não foi espalhado antes de colocar a unidade de limpeza na piscina.

Verifique se o cabo flutuante está espalhado correctamente e não está enrolado antes de operar o limpador robótico.

O comprimento do cabo na água está muito longo.

Verifique se o comprimento do cabo na água é igual ao comprimento diagonal da piscina mais dois metros.

A hélice está quebrada por causa do acúmulo de cabelo.

Verifique se a hélice está quebrada ou precisa ser limpa (veja “Como verificar a hélice da saída de água”).

O CONTROLO REMOTO NÃO FUNCIONA.

A bateria está vazia.

O LED está piscando ou está DESLIGADO.

Verifique a bateria pressionando um dos botões. A luz vermelha na unidade do controlo remoto não pisca ou fica iluminada continuamente se a bateria estiver vazia. Entre em contato com seu fornecedor ou com o centro de serviços.

Controle remoto (opcional)

Este capítulo revisa a operação da unidade de controle remoto opcional. O controle remoto é incluso em alguns modelos.

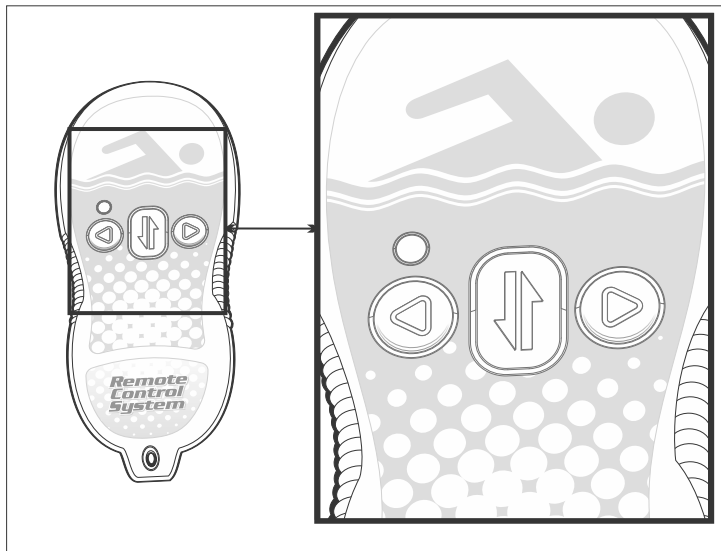
Visão geral do controle remoto

O controle remoto é um recurso opcional que possibilita o controle do limpador robótico através dos botões de comando remoto. Quando os botões do controle remoto são pressionados, um sinal de rádio é transmitido para a unidade de controle e energia. Este sinal é transferido em um comando enviado para o limpador robótico através do cabo flutuante.

Utilizando o controle remoto

1. Pressione o botão direito (3) para girar o limpador robótico para direita. O limpador robótico continua girando para a direita até que o botão seja solto.
2. Pressione o botão esquerdo (1) para girar o limpador robótico para esquerda. O limpador robótico continua girando para a esquerda até que o botão seja solto.
3. Pressione o botão Para frente/Para trás (2) para parar o limpador robótico e mudar sua direção de movimento.

O LED do controle remoto acende após cada comando. Se o LED não responder, ou estiver piscando troque a bateria.



Caddy (opcional)

O caddy é um acessório opcional, que facilita levar o limpador robótico, cabo flutuante e a unidade de controle e energia de um lugar para outro.

Montagem do caddy

Para montar o caddy, você precisará de uma chave de fenda padrão e uma chave de 8 mm.

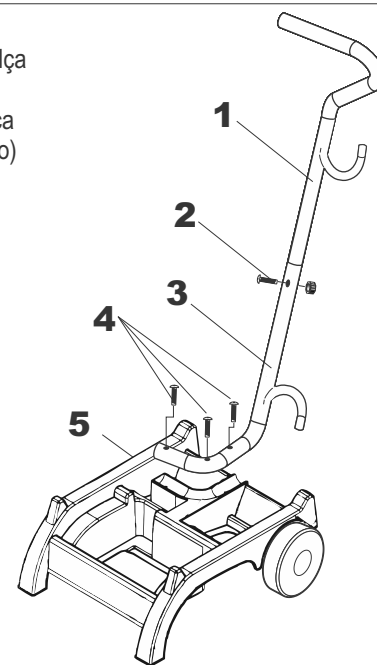
Conectando a alça do caddy

1. Parafuse a parte inferior da alça (3) à armação do caddy (5) com os três parafusos (4) e as porcas.
2. Conecte a parte superior da alça (1) na parte inferior da alça (3) usando o parafuso (2) e a porca.

Carregando o limpador robótico no caddy

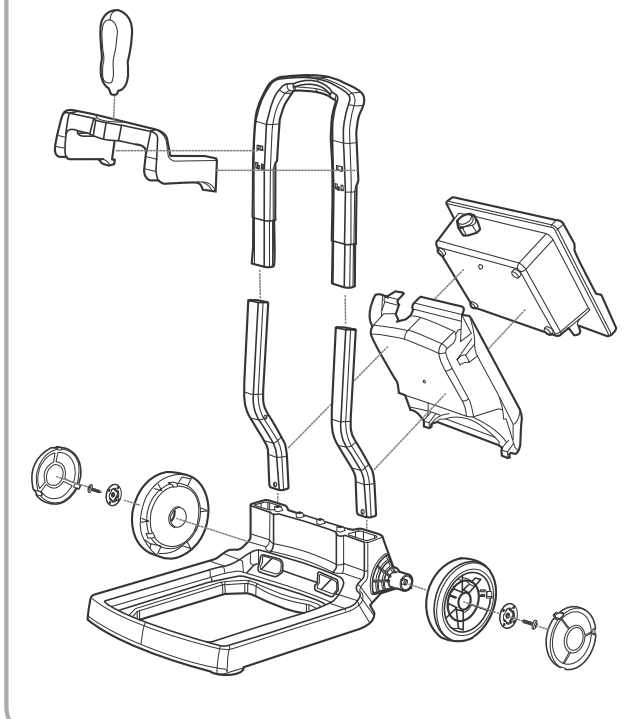
1. Coloque a unidade de limpeza na base do caddy.
2. Enrole o cabo flutuante e coloque-o na unidade de limpeza.
3. Coloque a unidade de controle e energia em cima do rolo do cabo flutuante.

1. Parte superior da alça
2. Parafuso (alça)
3. Parte inferior da alça
4. Parafusos (armação)
5. Armação do caddy



Carrinho "Trolley" (opcional)

Montagem do carrinho

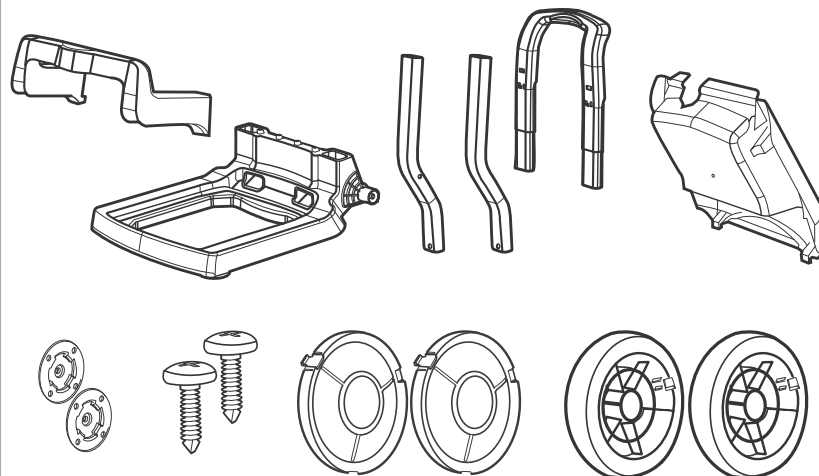


O carrinho é um acessório opcional, que facilita mover o limpador robótico e fornece um local de montagem para a unidade de controle e energia.

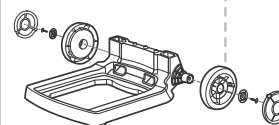
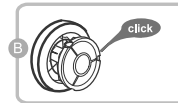
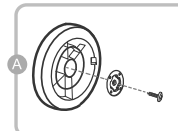
Para montar o carrinho:

1. Prenda as rodas em ambos os lados da base do carrinho.
2. Parafuse as rodas com uma chave de fenda e instale a cobertura.
3. Monte as duas seções da alça.

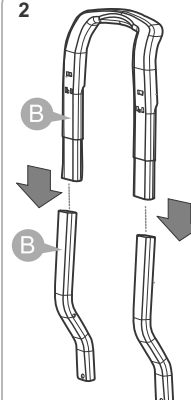
Componentes



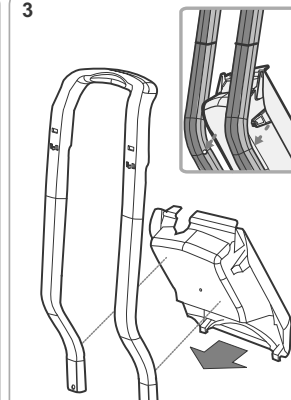
1



2

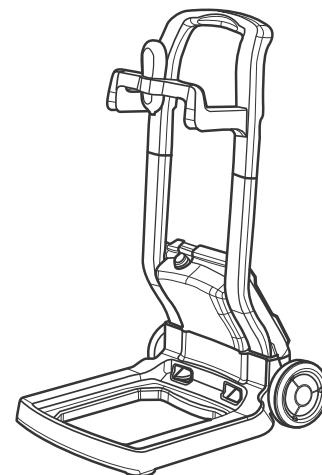
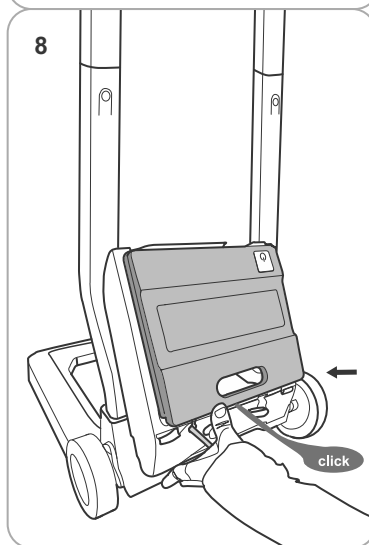
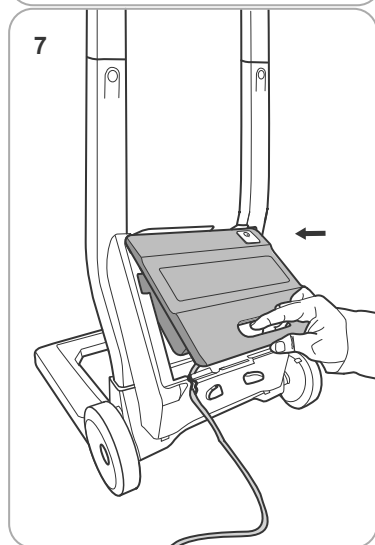
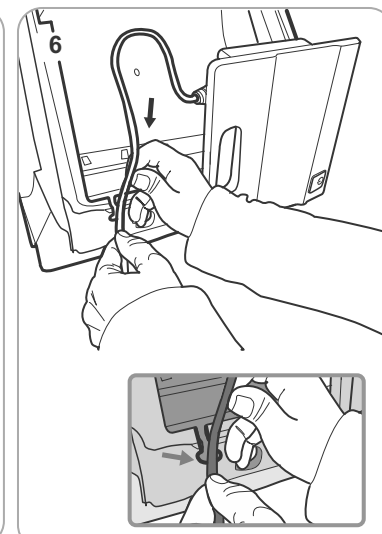
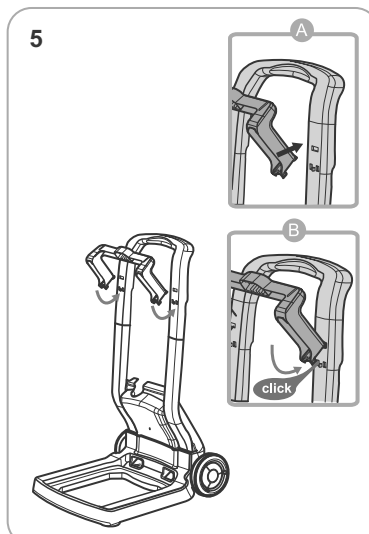
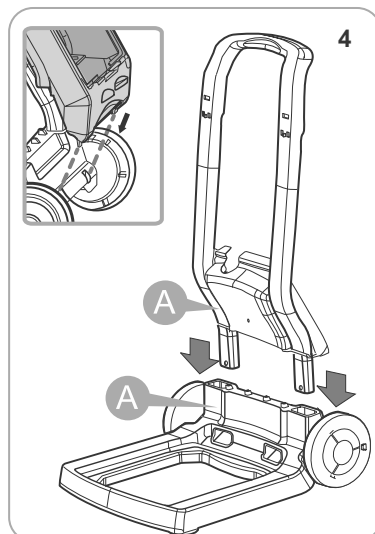


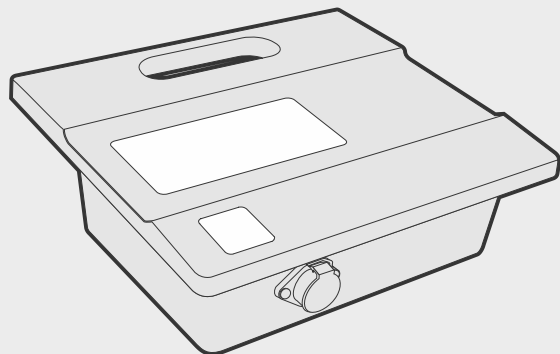
3



Carrinho “Trolley” (opcional)

4. Insira a alça na base do carrinho. Encaixe as abas inferiores da unidade de controle e energia alojando na base do carrinho.
5. Prenda o suporte do controle remoto inserindo a parte inferior na alça do carrinho e girando o suporte para baixo até que a parte inferior encaixe.
6. Coloque o cabo da unidade de controle e energia na fenda na base do carrinho.
7. Prenda o compartimento da unidade de controle e energia encaixando as abas superiores nos orifícios na alça.
8. Coloque a parte superior da unidade de controle e energia no compartimento e empurre a parte inferior até que encaixe na base do carrinho.





Grounding

The power supply must be connected to a grounded 3 conductor socket. The mains power supply must be connected via a GFCI (ground fault circuit interrupter) or RCD (residual current device) having a rated residual operating current not greater than 30mA.

Fuse

The fuse must be changed by an authorized service agent or trained and qualified person only. For continued protection against risk of fire, replace only with the same type and rating of fuse.

Maintenance and safety

The cover should not be removed except by an authorized service agent or trained and qualified person. No internal adjustment or component replacement can be carried out by the user. The power cable must be disconnected before removing the cover.

If the power supply cord is damaged, it must be replaced by an authorized service agent or trained and qualified person. Do not operate the supply if the cord is damaged.

Environmental conditions

The power supply is designed to work both indoors and outdoors. However, the unit should not be operated in direct sunlight or be exposed to water. The power supply should not be operated in an ambient temperature in excess of 40°C.

Erdung

Das Netzteil muss an eine geerdete 3-adrige Steckdose angeschlossen werden. Der Netzanschluss muss an einem GFCI/RCD (FI-Schutzschalter) angeschlossen sein, der einen bestimmten Differenzstrom von nicht mehr als 30 mA überschreitet.

Sicherung

Die Sicherung sollte nur von einem autorisierten Kundendienstmitarbeiter oder einem qualifizierten Techniker ersetzt werden. Ersetzen Sie die Sicherung nur mit demselben Typ und derselben Absicherung für den fortlaufenden Schutz gegen Brandgefahr.

Wartung und Sicherheit

Die Abdeckung sollte nur von einem autorisierten Kundendienstmitarbeiter oder einem qualifizierten Techniker entfernt werden. Kein(e) interne Einstellung oder Komponentenaustausch sollte vom Benutzer durchgeführt werden. Das Netzkabel muss vor dem Entfernen der Abdeckung von der Steckdose getrennt werden.

Wenn das Netzanschlusskabel beschädigt ist, muss es durch einen autorisierten Kundendienstmitarbeiter oder qualifizierten Techniker ersetzt werden. Bedienen Sie das Gerät nicht, wenn das Kabel beschädigt ist.

Äußere Bedingungen

Das Netzteil wird so konzipiert, um im Innen- und Außenbereich zu funktionieren. Jedoch sollte die Einheit keinem direkten Sonnenlicht oder Wasser ausgesetzt sein und in keiner Umgebungstemperatur von über 40° C bedient werden.

Physical

Dimensions (W * D * H) _____ 273mm * 242mm * 90mm

Weight _____ 1.9 Kg

Electrical

Input rating _____ 100-240V~, 50/60Hz, 210W

Output rating _____ 29V ,6.3A.

Storage temperature _____ -10° C - 60° C

Operating temperature _____ 0° C - 45° C

Ingress protection _____ IP54

Physikalische Daten

Abmessungen (B * T * H) _____ 273mm * 242mm * 90mm

Gewicht _____ 1.9 Kg

Elektrische Daten

Eingangsspannung _____ 100-240V~, 50/60Hz, 210W

Ausgangsspannung _____ 29V ,6.3A.

Aufbewahrungstemperatur _____ -10° C - 60° C

Betriebstemperatur _____ 0° C - 45° C

Schutzart _____ IP54