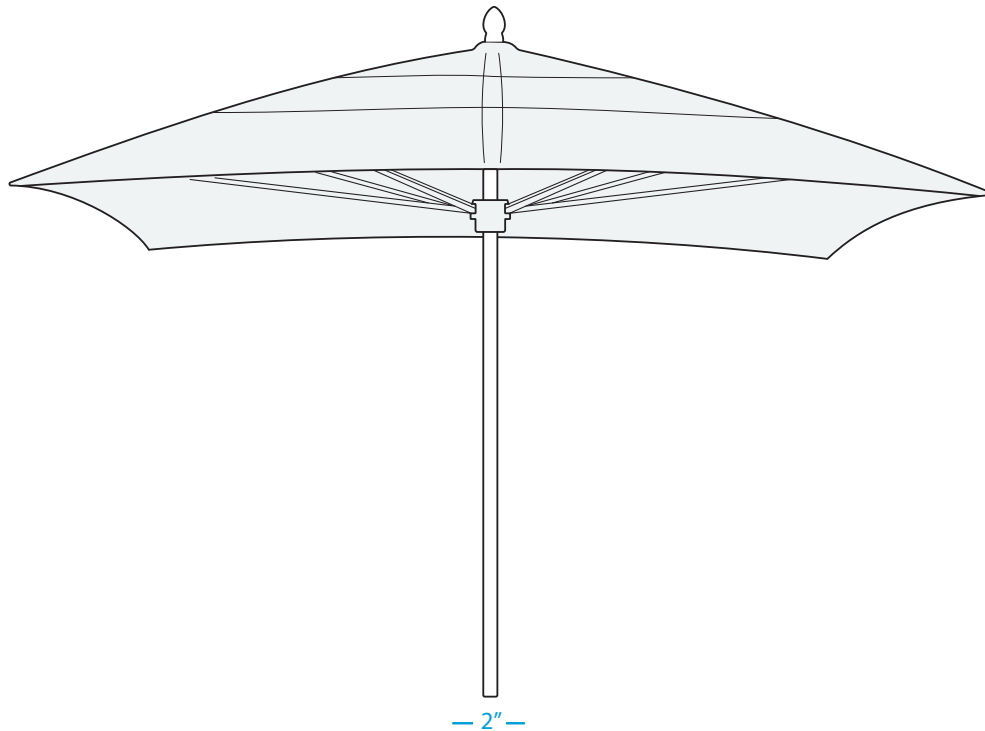


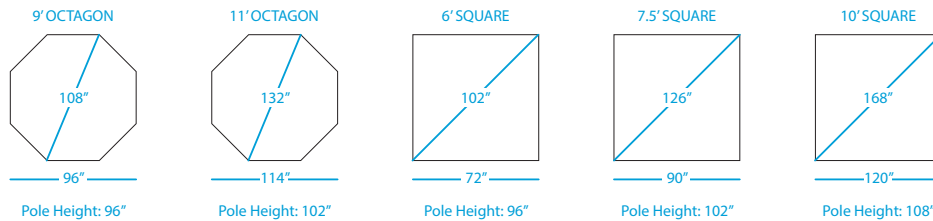
UMBRELLA

SELECT

SPECIFICATIONS



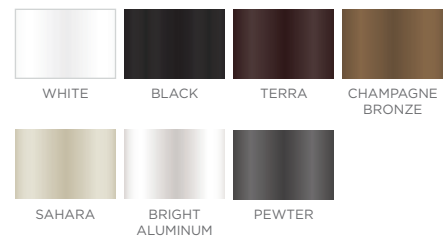
CANOPY OPTIONS



FEATURES

- Perfect for residential or commercial settings
- Designed for in-pool or out of pool use
- Pulley and pin operation
- 2" solid, one piece, powder-coated pole
- Flexible fiberglass ribs with molded nylon joints, hubs, and end tips
- Canopy features a single sewn in vent and high quality, outdoor fabric
- High resistance to wind, corrosion, rust and warping
- Pair with a Ledge Lounger table, an umbrella base, or use freestanding in an umbrella sleeve
- Custom pole heights available upon request

AVAILABLE POLE COLORS



AVAILABLE FABRICS

Available in all marine grade or furniture grade fabrics. Over 400 options available. See website or catalog for details.