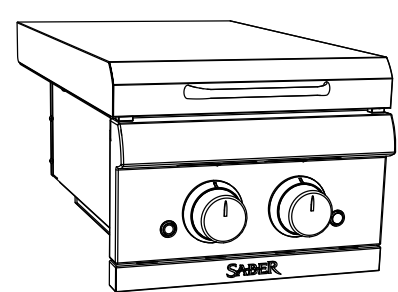
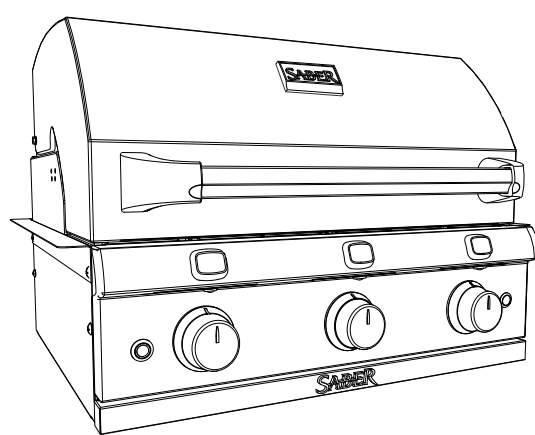


SABER®

LP Gas Conversion Kit Model A00AA5517 Assembly Instructions

**EZ THIS LP GAS CONVERSION KIT MUST BE
LP INSTALLED BY A QUALIFIED SERVICE AGENCY**



If you have questions or need assistance during assembly, please call:

1-888-94-SABER
(1-888-947-2237)

For support and to register your grill, please visit us at:

www.sabergrills.com

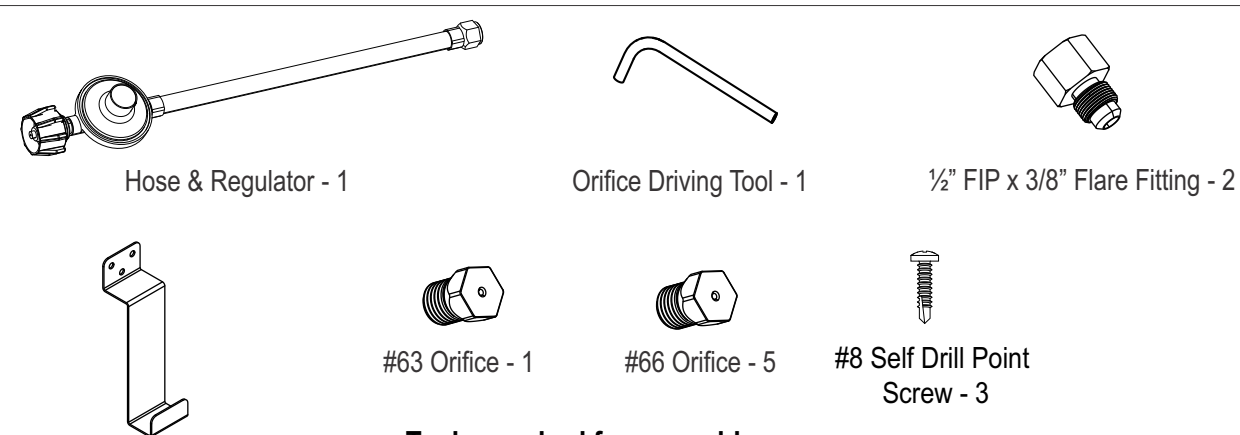
To Installer/Assembler:
Leave this manual with consumer.

To Consumer:
Keep this manual for future reference.

This conversion kit is to be used ONLY with SABER appliance models:

R50SB0417, R50SB1517, R67SB0317, R67SB1017
K00SB1817, K00SB5317

PARTS LIST



Tools required for assembly:

- (1) Orifice Driving Tool - Provided
- (2) Adjustable Wrenches - Not Provided
- (1) Pipe Wrench - Not Provided
- (1) Standard #2 Phillips Screwdriver - Not Provided
- (1) Flat Blade Screwdriver - Not Provided

Note: Illustrations are not to scale.

FOR YOUR SAFETY

SAFETY SYMBOLS: The symbols and boxes shown below explain what each heading means. Read and follow all of the messages found throughout the manual.



DANGER: Indicates an imminently hazardous situation which, if not avoided, will result in death or serious injury.



WARNING: Indicates a potentially hazardous situation which, if not avoided, could result in death or serious injury.



CAUTION: Indicates a potentially hazardous situation or unsafe practice which, if not avoided, may result in minor or moderate injury.



If you smell gas:

- Shut off gas to appliance.
- Extinguish any open flame.
- Open lid.
- If odor continues, keep away from the appliance and immediately call your gas supplier or your fire department.



1. Do not store or use gasoline or other flammable liquids or vapors in the vicinity of this or any other appliance.
2. An LP tank not connected for use shall not be stored in the vicinity of this or any other appliance.



This conversion kit shall be installed by a qualified service agency in accordance with the manufacturer's instructions and all applicable codes and requirements of the authority having jurisdiction. If the information in these instructions is not followed exactly, a fire, explosion, or production of carbon monoxide may result causing property damage, personal injury, or loss of life. The qualified service agency is responsible for the proper installation of this kit. The installation is not proper and complete until the operation of the converted appliance is checked as specified in the manufacturer's instructions supplied with the kit.



Do not attempt to repair or alter this conversion kit for any assumed defect. Any modification to this assembly will void your warranty and create the risk of a gas leak and fire. Use only authorized replacement parts supplied by manufacturer.



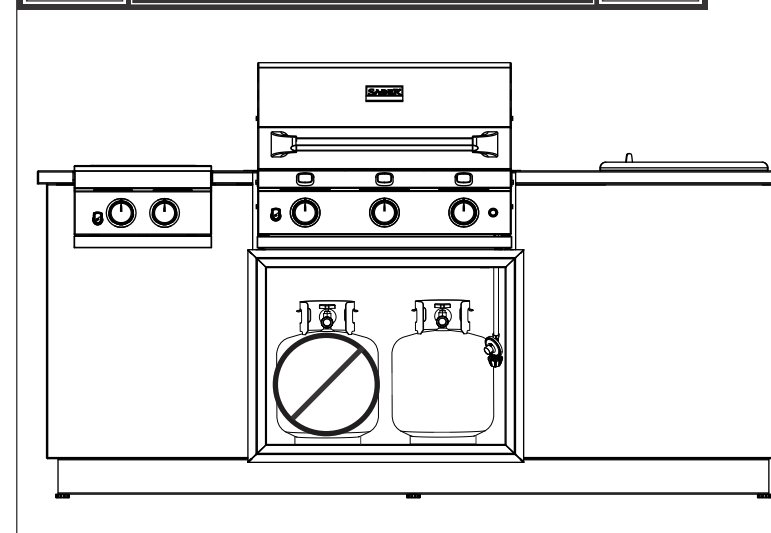
1. Some parts may contain sharp edges, especially as noted in these instructions.
2. Wear protective gloves if necessary.
3. For residential use only. Do not use for commercial cooking.

ADDITIONAL ENCLOSURE CONSTRUCTION

For a LP cylinder enclosure having four sides, a top and a bottom:

- At least one ventilation opening shall be provided on the exposed exterior side or rear of the enclosure located within 5 inches of the top of the enclosure and unobstructed. The opening(s) shall have a total area of not less than 1 in. / lb. of stored fuel capacity (example 20 lb. cylinder = 20 in.).
- At least one ventilation opening shall be provided on the exposed, exterior side or rear of the enclosure 1 inch or less from the floor level and shall have a total free area of not less than 1/2 in. / lb. of stored fuel capacity (example: 20 lb. cylinder = 10 in.).
- Every opening shall have a minimum dimension so as to permit the entrance of a 1/8 inch rod.
- A two inch air gap **MUST** be provided between the bottom of the enclosure and the ground.
- A door or opening **MUST** be provided on the enclosure that will allow easy access to the remote LP cylinder. The cylinder valve on the LP cylinder **MUST** be readily accessible for hand operation. The LP cylinder **MUST** be positioned to allow leak checking of the cylinder, cylinder valve, and regulator as they are attached to the grill.
- An LP cylinder retention bracket (provided with this kit) must be installed in the enclosure (see Figures U and V in LP Cylinder Installation section).

USE AND CARE



LP Cylinder Removal, Transport and Storage

- Turn **OFF** all control knobs and LP cylinder valve. Turn regulator coupling nut counterclockwise by hand only - do not use tools to disconnect. Loosen cylinder screw beneath bottom shelf, then lift LP cylinder up and out of cart. Install safety cap onto LP cylinder valve. Always use cap and strap supplied with valve. **Failure to use safety cap as directed may result in serious personal injury and/or property damage.**

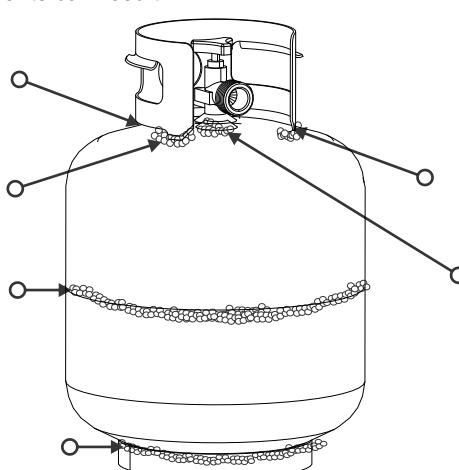
LP Cylinder Exchange

- Many retailers that sell grills offer you the option of replacing your empty LP cylinder through an exchange service. Use only those reputable exchange companies that inspect, precision fill, test and certify their cylinders. **Exchange your cylinder only for an OPD safety feature-equipped cylinder as described in the "LP Cylinder" section of this manual.**
- Always keep new and exchanged LP cylinders in upright position during use, transit or storage.
- Leak test new and exchanged LP cylinders BEFORE connecting to grill.**

LP Cylinder Leak Test

For your safety:

- Leak test must be repeated each time LP cylinder is exchanged or refilled.
- Do not smoke during leak test.
- Do not use an open flame to check for gas leaks.
- Grill must be leak tested outdoors in a well-ventilated area, away from ignition sources such as gas fired or electrical appliances. During leak test, keep grill away from open flames or sparks.
- Use a clean paintbrush and a 50/50 mild soap and water solution. Brush soapy solution onto areas indicated by arrows in figure below.
- Do not use household cleaning agents.** Damage to gas train components can result.



If "growing" bubbles appear do not use or move the LP cylinder. Contact an LP gas supplier or your fire department!

- A disconnected LP cylinder in storage or being transported must have a safety cap installed (as shown). Do not store an LP cylinder in enclosed spaces such as a carport, garage, porch, covered patio or other building. Never leave an LP cylinder inside a vehicle which may become overheated by the sun.

- Do not store an LP cylinder in an area where children play.



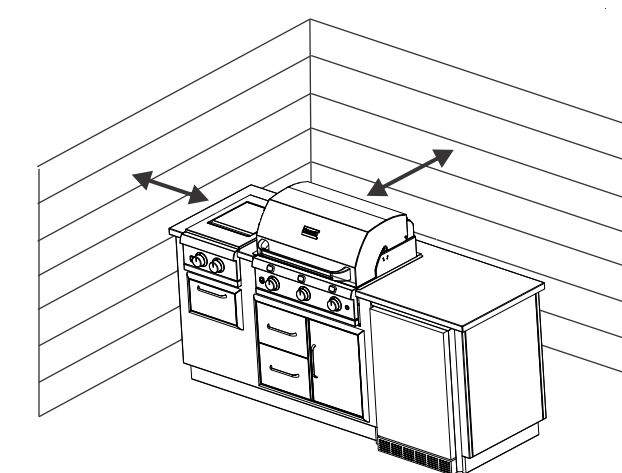
For Safe Use of Your Grill and to avoid serious injury:

- Apartment Dwellers:**
 - Check with management to learn the requirements and fire codes for using an LP gas grill in your apartment complex. If allowed, use outside on the ground floor with a three (3) foot clearance from walls or rails. Do not use on or under balconies.
 - NEVER** attempt to light burner with lid closed. A build-up of non-ignited gas inside a closed grill is hazardous.
- Never operate grill with LP cylinder out of correct position specified in assembly instructions.
- Always close LP cylinder valve and remove regulator coupling nut before moving LP cylinder from specified operation position.



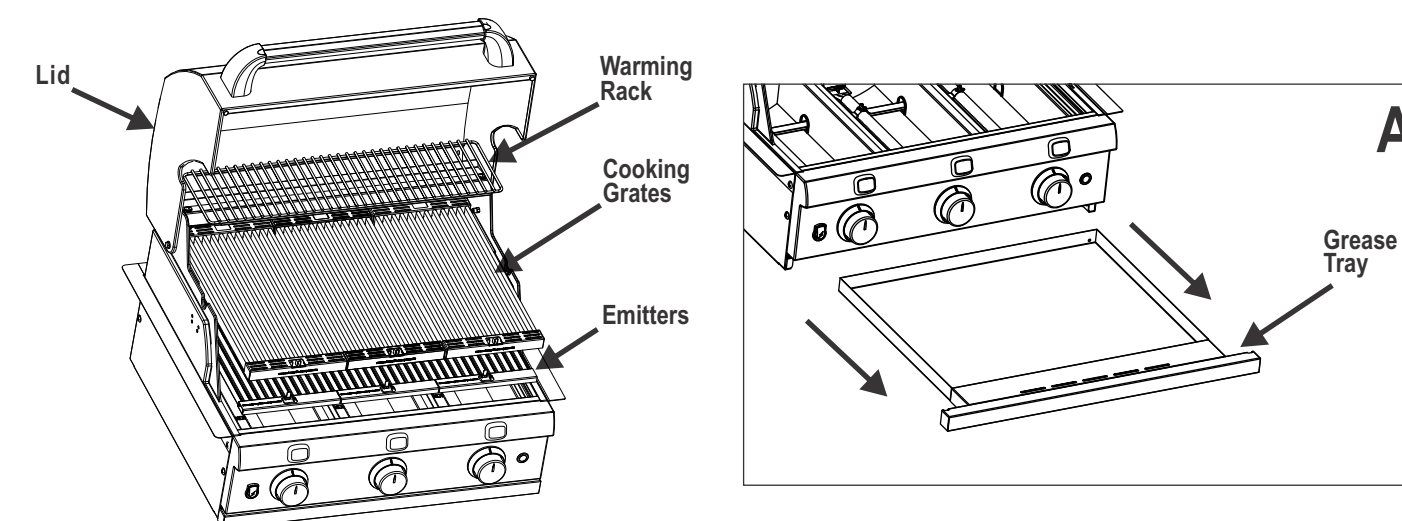
For Safe Use of Your Grill and to avoid serious injury:

- Do not let children operate or play near grill.
- Keep grill area clear and free from materials that burn.
- Do not block holes in sides or back of grill.
- Check burner flames regularly.
- Use grill only in well-ventilated space. **NEVER** use in enclosed space such as carport, garage, porch, covered patio, or under an overhead structure of any kind.
- Do not use charcoal or ceramic briquets in a gas grill.
- Use grill at least 3 ft. from any wall or surface.** Maintain 10 ft. clearance to objects that can catch fire or sources of ignition such as pilot lights on water heaters, live electrical appliances, etc.

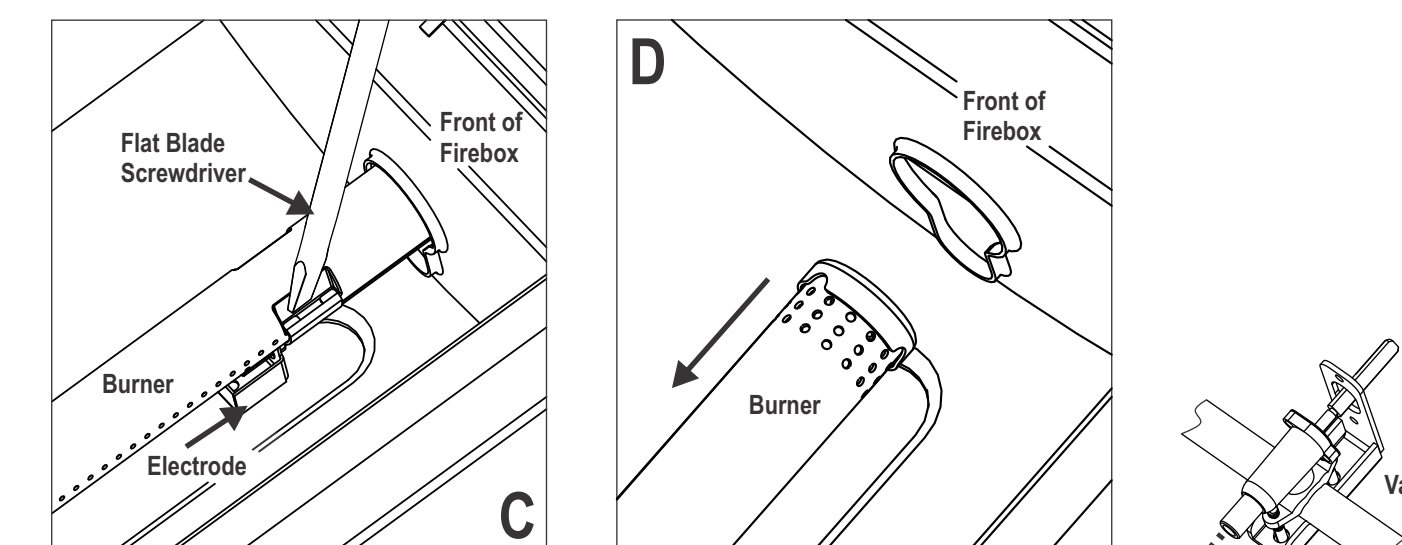
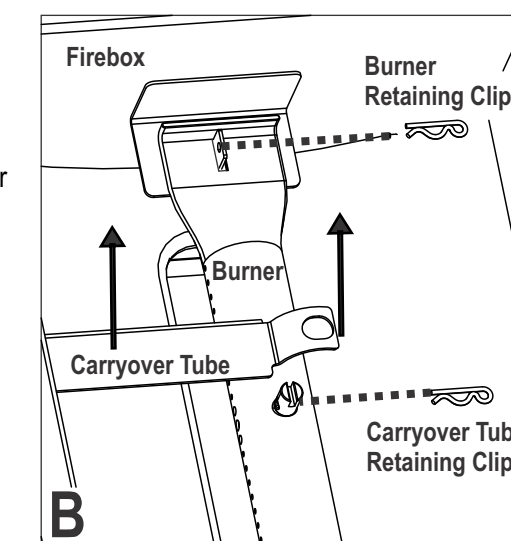


GRILL CONVERSION

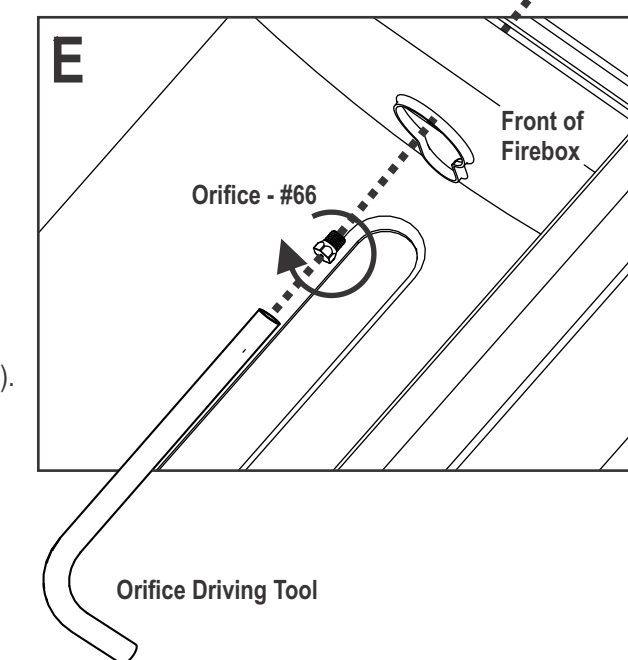
- Step 1**
- Make sure all control knobs are in the **OFF** position, gas supply is disconnected and removed from grill.
 - Open lid and remove warming rack, cooking grates, and emitters (see Figure A).
 - Remove grease tray.



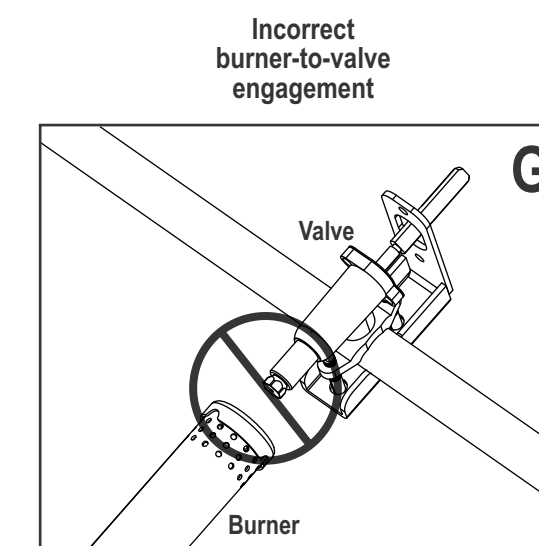
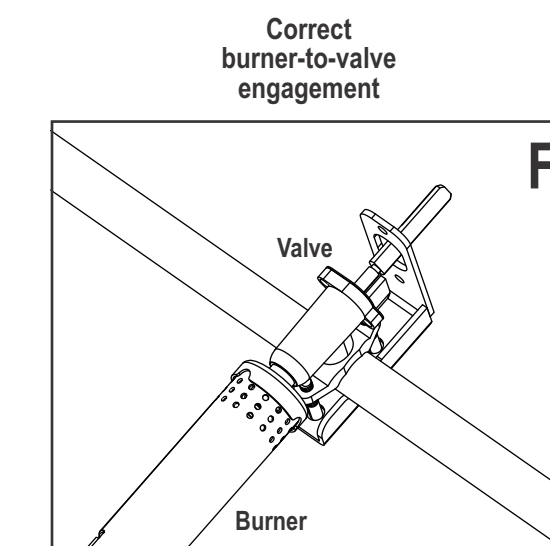
- Step 2**
- Remove carryover tube retaining clips and remove carryover tubes (see Figure B).
 - Remove burner retaining clips at back of burners to detach burners from firebox burner brackets (see Figure B).
 - Using a flat blade screwdriver, pry off the electrode from each burner (see Figure C). Electrode should remain in burner box.
 - Lift back of burner while sliding burner out of firebox, disengaging burners from valves (see Figure D).



- Step 3**
- Insert orifice driving tool into firebox burner openings and screw (clockwise), (#66) orifices into ends of valves (see Figure E). Secure tightly.

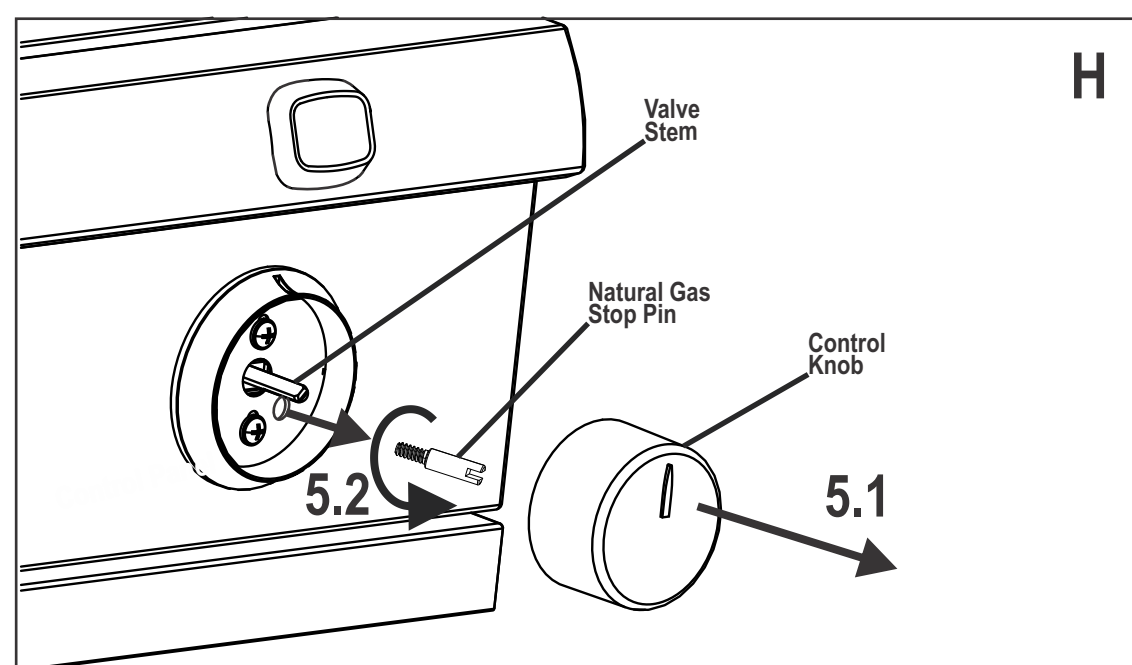


- Step 4**
- Replace electrodes on burners (see Figure C).
 - Insert burners into firebox burner holes over valves with ignitor assembly downward, making sure burner engages valve properly (see Figure F).
 - Secure burners to burner bracket with previously removed retaining clips. Replace carryover tubes and secure with retaining clips previously removed (see Figure B).

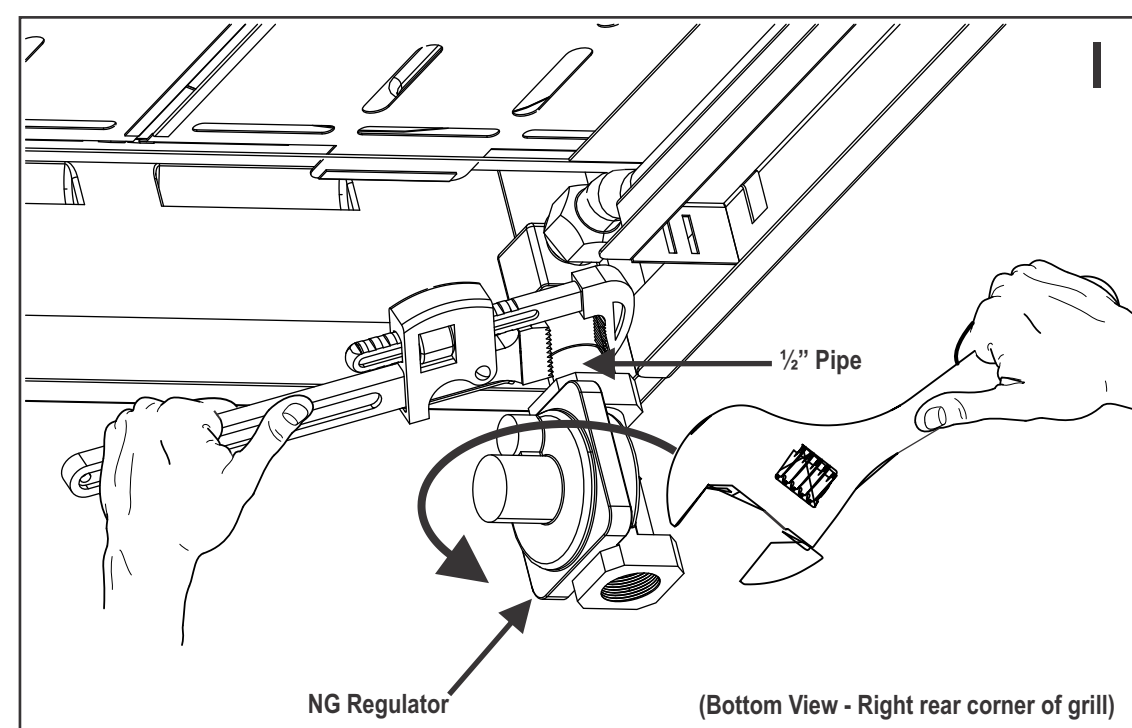


SIDE BURNER CONVERSION

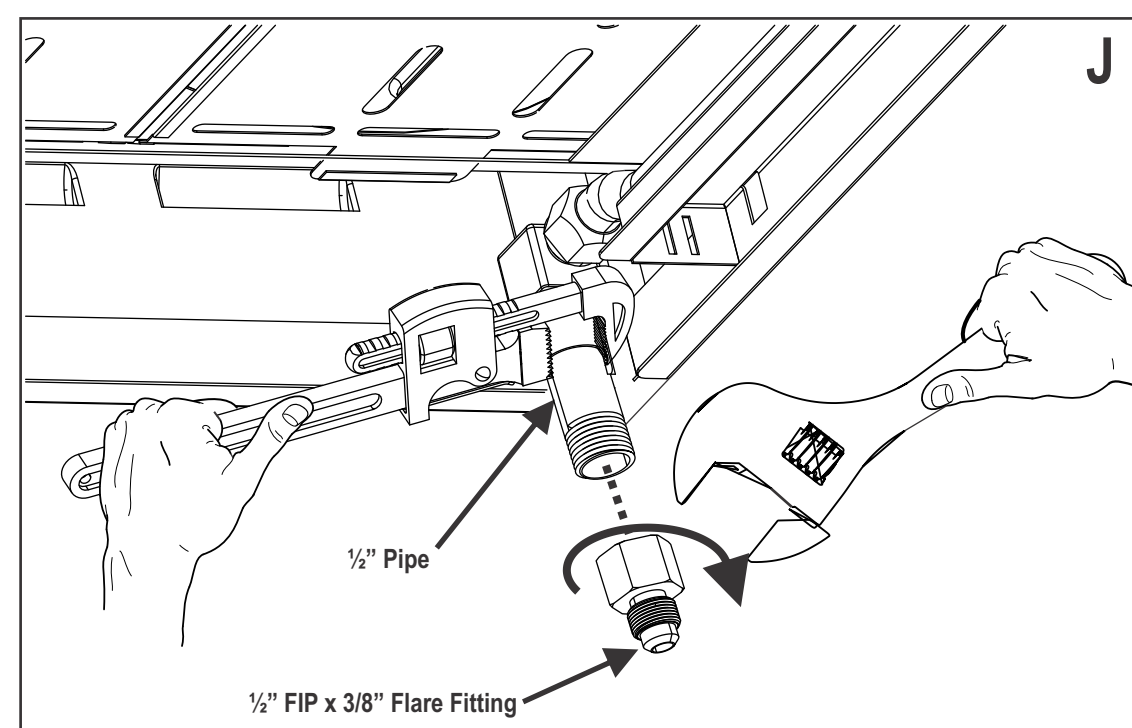
- Step 5**
- Pull the main burner control knob off of the valve stem (see Figure H).
 - Unscrew and remove the natural gas stop pin (see Figure H).
 - Press the main burner control knob back onto valve stem.
 - Repeat for each control knob and natural gas stop pin.



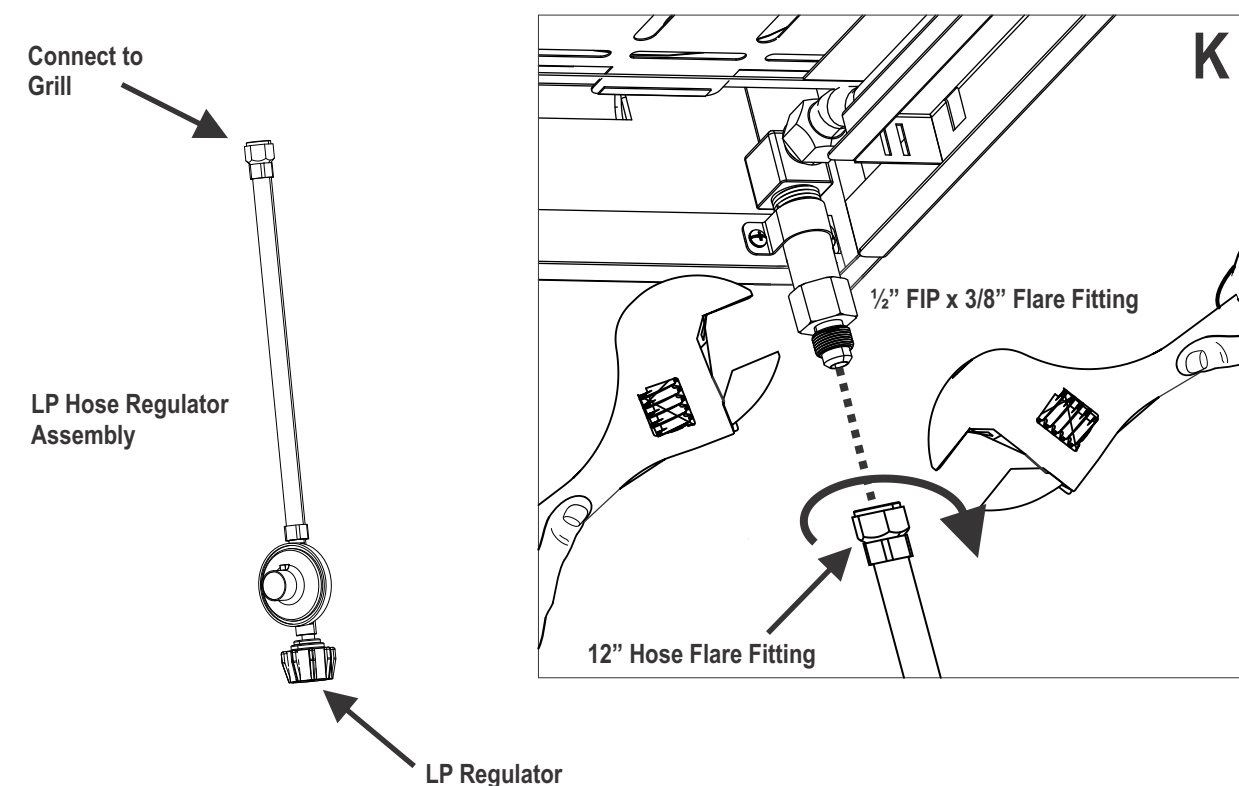
- Step 6**
- Using a (1) pipe wrench (not provided) and (1) adjustable wrench (not provided) remove the natural gas (NG) regulator from the bottom of the grill as shown, holding the 1/2" pipe stationary with the pipe wrench and turning regulator counterclockwise with the adjustable wrench, taking care not to damage the 1/2" pipe (see Figure I).
 - NOTE: If you are installing your Saber built-in grill for the first time, the NG regulator will not be connected to the grill.



- Step 7**
- After removing NG regulator, clean pipe threads on 1/2" pipe.
 - Apply pipe thread sealant to 1/2" pipe.
 - Using a (1) pipe wrench (not provided) and (1) adjustable wrench (not provided) install the 1/2" FIP x 3/8" flare fitting to the 1/2" pipe as shown, turning fitting clockwise with the adjustable wrench while holding the 1/2" pipe stationary with the pipe wrench (see Figure J).

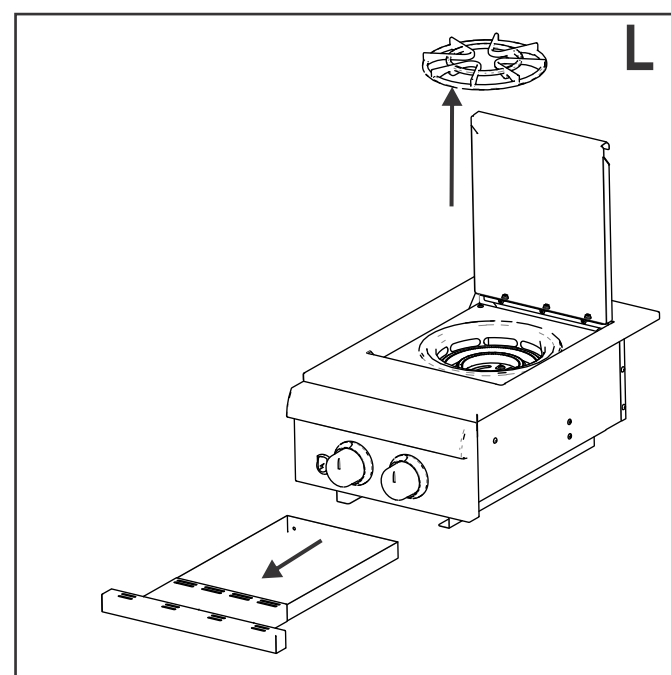


- Step 8**
- Connect the LP hose and regulator assembly to the grill by connecting the flare fitting on the end of the hose to the 1/2" FIP x 3/8" flare fitting on the grill.
 - Using (2) adjustable wrenches (not provided) tighten the 12" hose flare fitting clockwise with one adjustable wrench while holding the flare fitting on the grill stationary with other adjustable wrench (see Figure K).
 - Do NOT use thread sealant between flare fitting connections as this may create a leak at the flare connection.

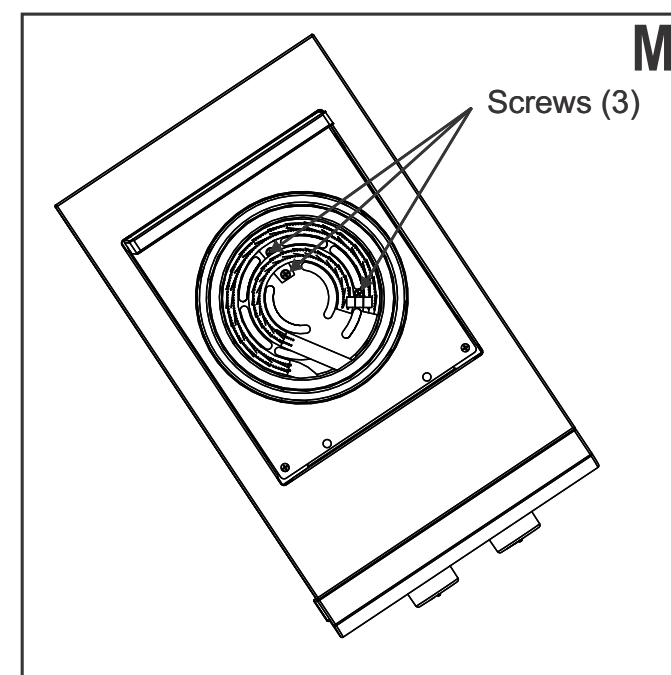


- Step 9**
- Reinstall emitters, cooking grates, warming rack, and grease tray. Reference Step 1 for reinstallation.

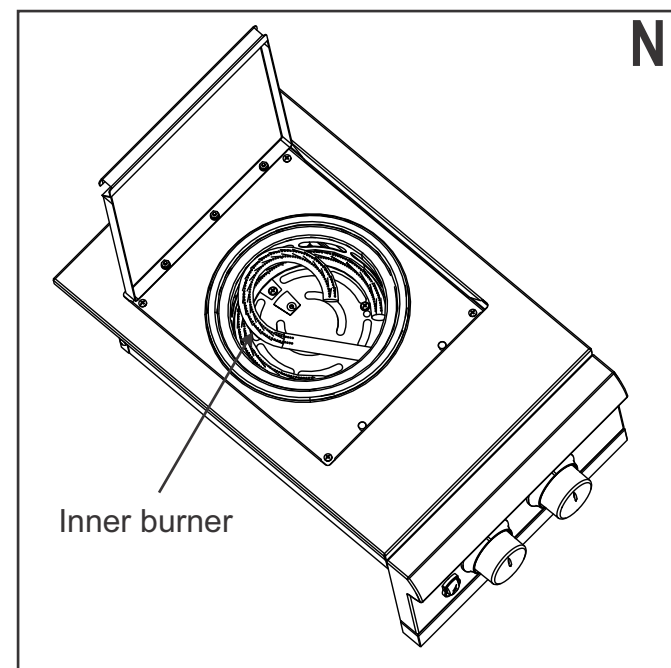
- Step 1**
- Remove grease tray and side burner grate (see Figure L).



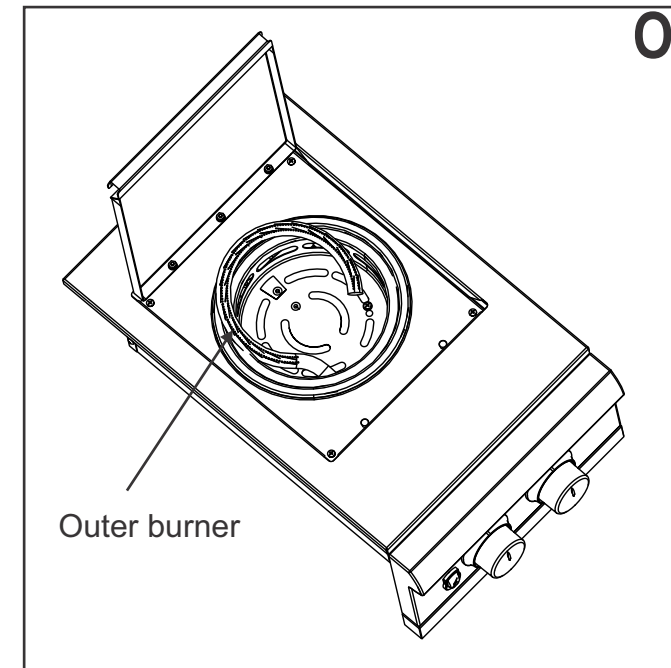
- Step 2**
- Remove 3 screws for burners and electrode (see Figure M).



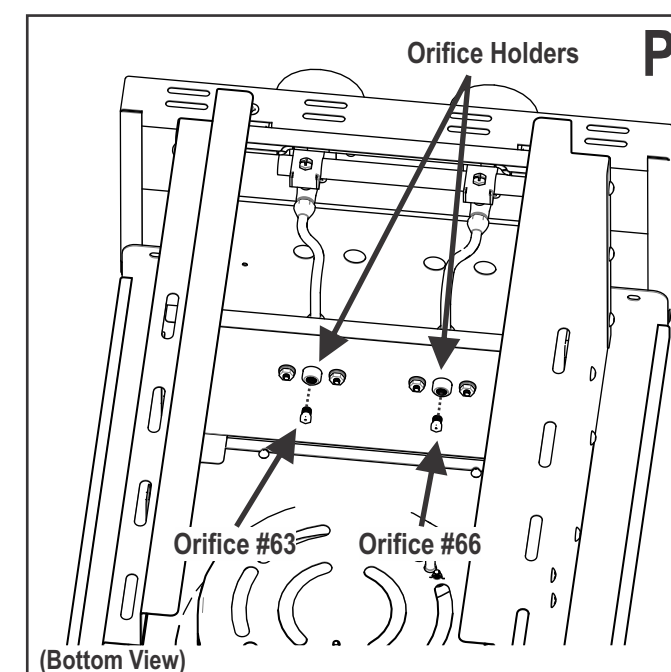
- Step 3**
- Remove inner burner (see Figure N).



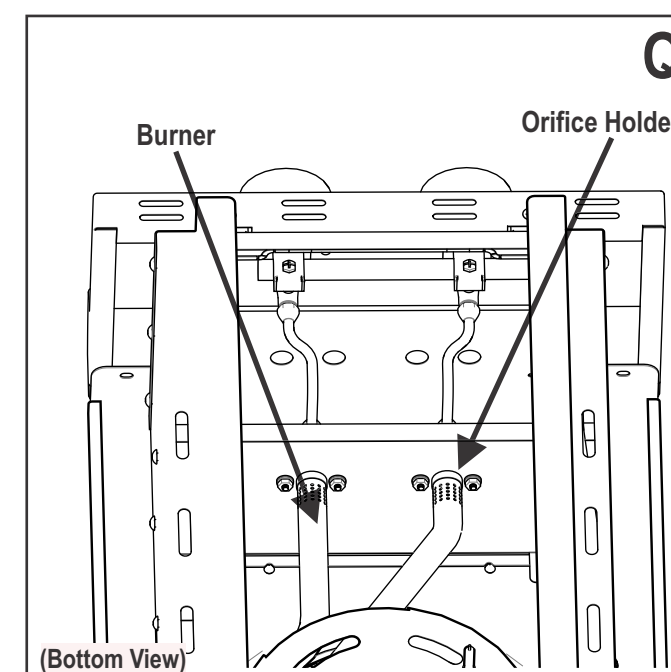
- Step 4**
- Remove outer burner (see Figure O).



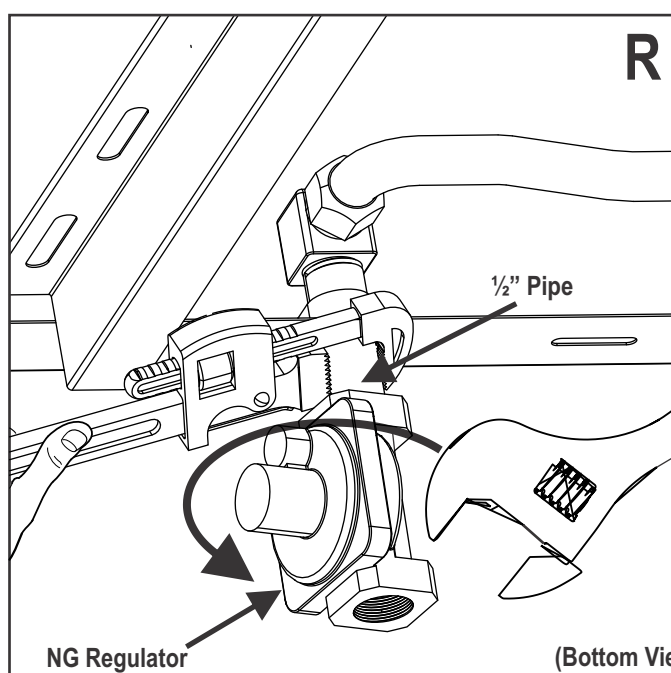
- Step 5**
- Install #63 orifice in orifice holder for outer burner.
 - Install #66 orifice in orifice holder for inner burner (see Figure P for both).



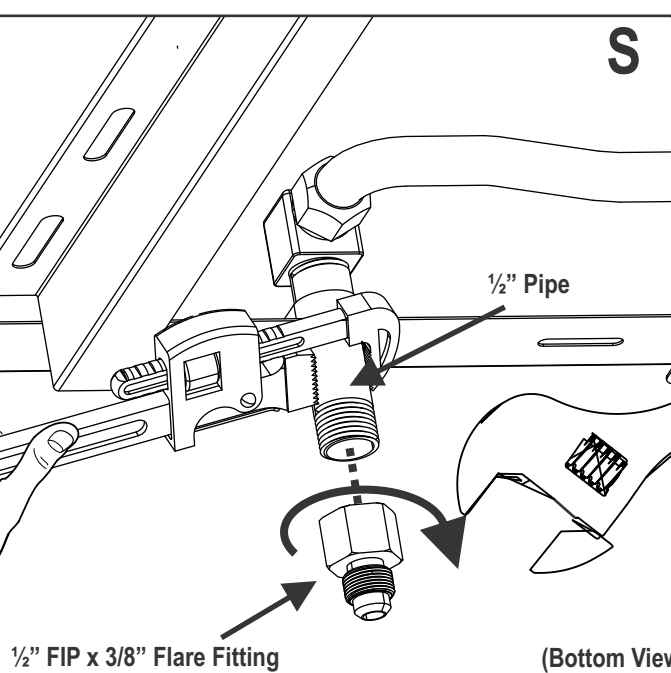
- Step 6**
- Reinstall burners in reverse order making certain that the burners engage with the orifice holders (see Figure Q).



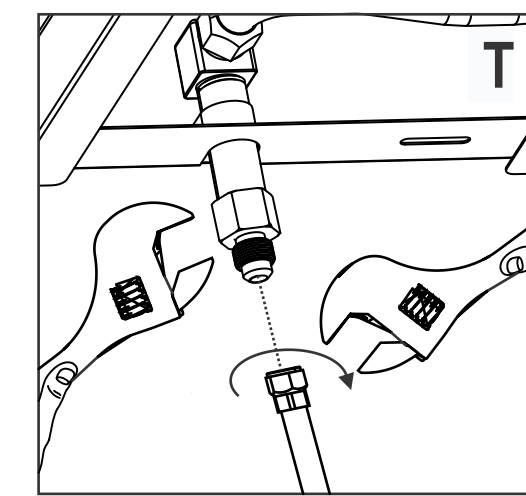
- Step 7**
- Using a (1) pipe wrench (not provided) and (1) adjustable wrench (not provided) remove the natural gas (NG) regulator from the bottom of the grill as shown, holding the 1/2" pipe stationary with the pipe wrench and turning regulator counterclockwise with the adjustable wrench, taking care not to damage the 1/2" pipe (see Figure R).
 - NOTE: If you are installing your Saber built-in side burner for the first time, the NG regulator will not be connected to the side burner.



- Step 8**
- After removing NG regulator, clean pipe threads on 1/2" pipe.
 - Apply pipe thread sealant to 1/2" pipe (see Figure S).
 - Using a (1) pipe wrench (not provided) and (1) adjustable wrench (not provided) install the 1/2" FIP x 3/8" flare fitting to the 1/2" pipe as shown, turning fitting clockwise with the adjustable wrench while holding the 1/2" pipe stationary with the pipe wrench.



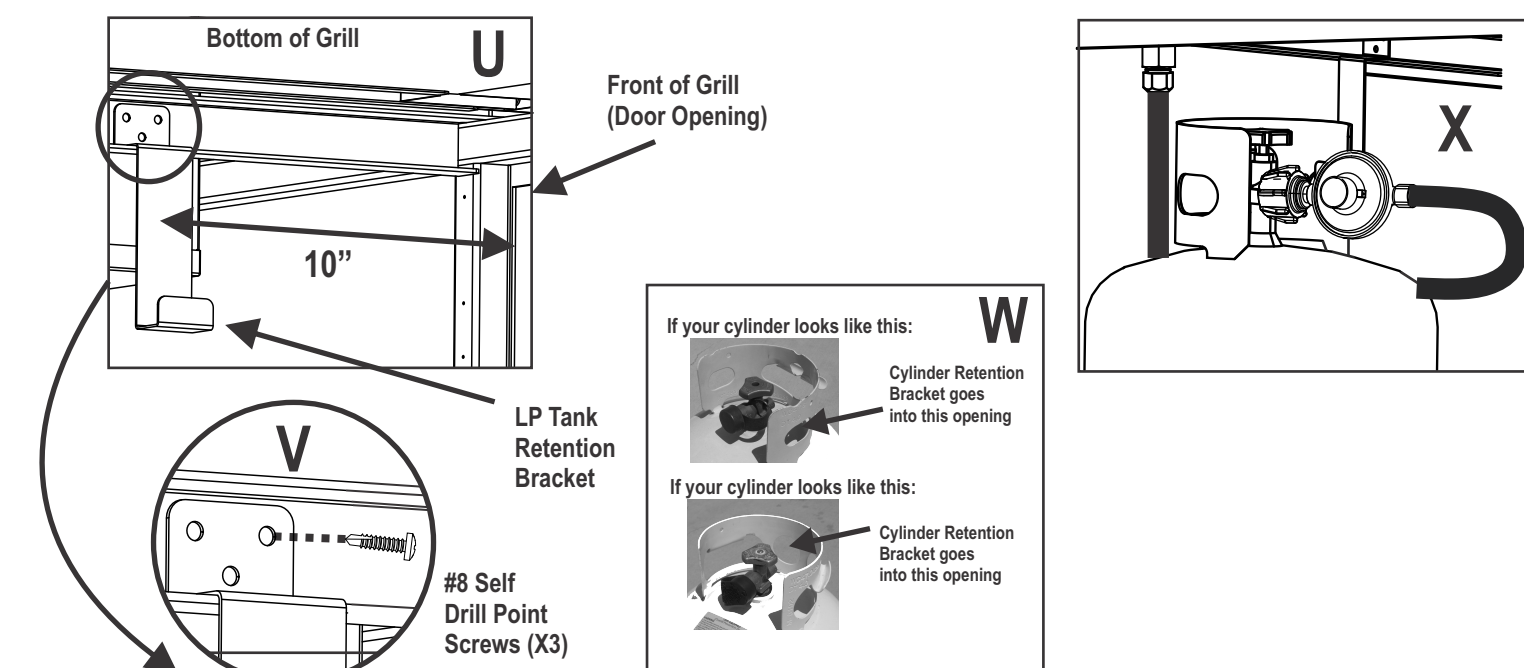
- Step 9**
- Connect the LP hose and regulator assembly to the side burner by connecting the flare fitting on the hose to the 1/2" FIP x 3/8" flare fitting on the side burner (see Figure T).
 - Using (2) adjustable wrenches (not provided) tighten the flare fitting clockwise with one adjustable wrench while holding the flare fitting on the side burner stationary with other adjustable wrench.
 - Do NOT use thread sealant between flare fitting connections as this may create a leak at the flare connection.



- Step 10**
- Pull the side burner control knob off of the valve stem (see Figure H).
 - Unscrew and remove the natural gas stop pin (see Figure H).
 - Press side burner control knob back onto valve stem.
 - Repeat for each control knob and natural gas stop pin.
 - Reinstall side burner cooking grate and grease tray.

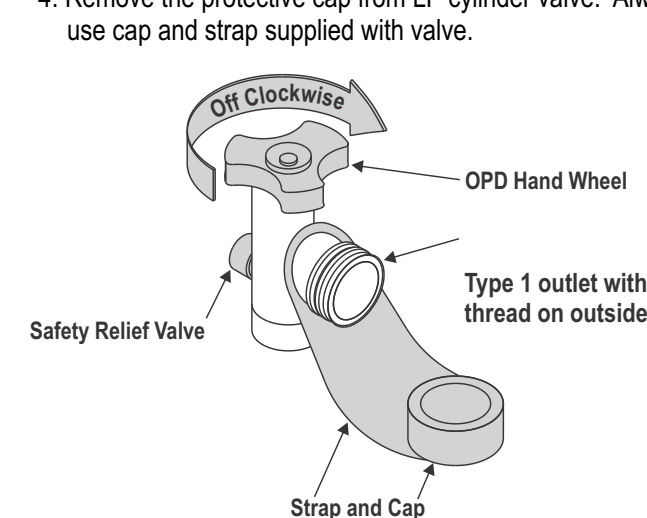
LP CYLINDER INSTALLATION

- When converting to LP gas, the LP cylinder must be secured in place.
- Before mounting the LP cylinder retention bracket, place the LP cylinder inside the grill enclosure and ensure that the LP hose and regulator reaches the LP cylinder for easy attachment. The LP cylinder should rest on its base when attached to the LP hose and regulator.
- Attach the LP cylinder retention bracket under the right side of the grill or side burner as shown in Figure U. The suggested distance from the center of the bracket to the front of the grill or side burner is 10". Use the (3) #8 self drill point screws provided to attach the bracket to the grill enclosure as shown in Figure V.
- Lift the LP cylinder and place over the retention bracket.
- Reference Figure W below for the correct opening to use in the LP cylinder collar when installing your LP cylinder.
- Reference Figure X below for the suggested method of routing the hose when connecting the regulator.
- NOTE: The correct opening MUST be used to correctly secure the LP cylinder to the grill enclosure.
- NOTE: The LP cylinder MUST rest on its base and be supported by the bottom of the grill enclosure and not hang on the retention bracket. The retention bracket is provided only to secure the LP cylinder and prevent it from moving or tipping inside the enclosure.

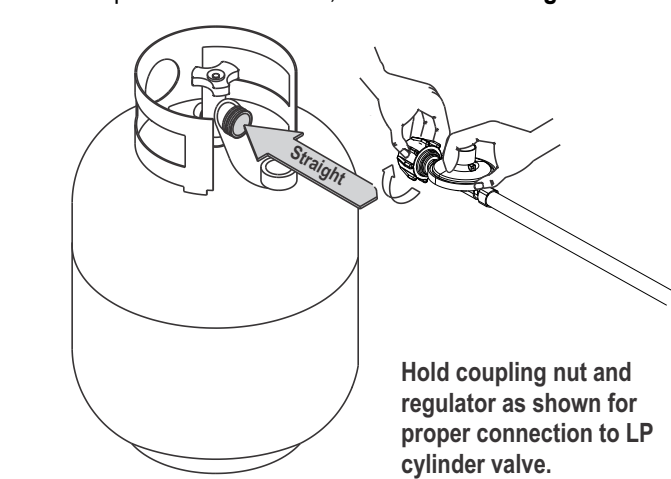


Connecting Regulator to the LP Cylinder

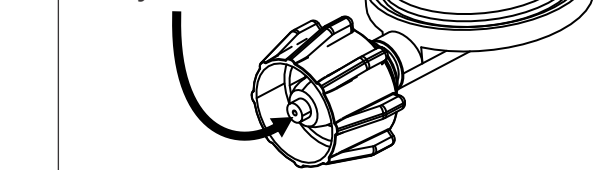
1. LP cylinder must be properly secured onto grill
2. Turn all control knobs to the OFF position.
3. Turn LP cylinder OFF by turning hand wheel clockwise to a Full Stop.
4. Remove the protective cap from LP cylinder valve. Always use cap and strap supplied with valve.
5. Hold regulator and insert nipple into LP cylinder valve. Hand-tighten the coupling nut, holding regulator in a straight line with LP cylinder valve so as not to cross-thread the connection.
6. Turn the coupling nut clockwise and tighten to a Full Stop. The regulator will seal on the back-check feature in the LP cylinder valve, resulting in some resistance. An additional one-half to three-quarters turn is required to complete the connection. Tighten by hand only - do not use tools.



NOTE:
If you cannot complete the connection, disconnect regulator and repeat steps 5 and 6. If you are still unable to complete the connection, do not use this regulator!



Nipple has to be centered into the LP cylinder valve.



Do not use a POL transport plug (plastic part with external threads)! It will defeat the safety feature of the valve.

! DANGER !
Do not insert any tool or foreign object into the valve outlet or safety relief valve. You may damage the valve and cause a leak. Leaking propane may result in explosion, fire, severe personal injury, or death.

! WARNING !
Turn controls and gas source or tank OFF when not in use.

LEAK TESTING

Leak Testing Hoses and Regulator

1. Turn all control knobs to the OFF position.
2. Be sure regulator is tightly connected to the LP cylinder.
3. Completely open LP cylinder valve by turning hand wheel counterclockwise. If you hear a **continuous rushing sound or hissing**, turn gas off immediately. There is a major leak at the connection. **Correct before proceeding.**
4. Brush soapy solution onto ALL flare fitting and pipe thread connections made during this conversion. Brush soapy solution onto other similar fittings on your grill. Finally, brush soapy solution on the regulator nut connection to the LP cylinder.
5. If "growing" bubbles appear there is a leak. Close LP cylinder valve immediately and retighten connections. If leaks cannot be stopped do not try to repair. Call for replacement parts.
6. Always close LP cylinder valve after performing leak test by turning hand wheel clockwise.