



# **MERCURY AUTOMATIC POOL CLEANER**

## **OPERATING MANUAL**



---

# WARNING

## SAFETY INSTRUCTIONS - READ PRIOR TO USE

CHILD DROWNING RISK - Adult use only. Never allow children to use the Mercury pool cleaner. Do not allow swimmers in the pool during cleaner operation. Store out of the reach of children.

---

## Introduction

### Thank you for choosing the Red Leopard Mercury Pool Cleaner

Congratulations on the purchase of your new Mercury automatic pool cleaner. Your Mercury is designed to give you years of dependable and efficient service.

Like most mechanical products, your Mercury requires some preventative maintenance, replacement of certain hardworking parts and periodic adjustment to ensure continued optimum performance. We recommend that you have your Mercury checked annually by your Mercury dealer.

For best results, have your Mercury installed by a qualified swimming pool professional.

## What's in the Mercury box?

- (A) 1 x Cleaner Head
- (B) 1 x Body Float
- (C) 2 x Debris Bags
- (D) 1 x Sweep Hose
- (E) 1 x Feed Hose Assembly
- (F) 1 x Quick Disconnect with Universal Wall Fitting
- (G) 1 x Hose Storage strap (not shown)
- (H) 1 x Spare Tail Foam (not shown)

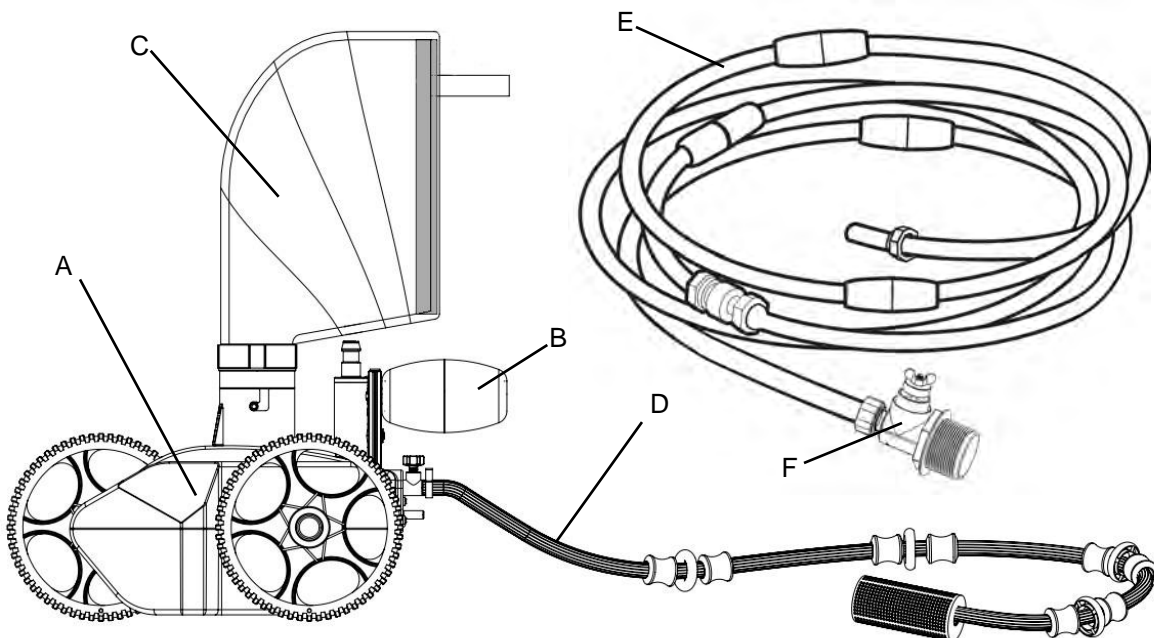


Fig.1

## Important Information - Preparing Your Pool

- Make sure the pool filter is clean before installing your Mercury.
- Do not use Mercury to remove plaster dust from a new pool.
- Flush out new plumbing lines before installing the Mercury.
- Always remove Mercury before allowing swimmers to enter the pool.
- Disconnect Mercury from the pool wall before cleaning the pool filter.
- Wait at least five minutes after cleaning your pool filter, before reconnecting Mercury.
- Make sure Mercury is removed from the pool before any chemical shock treatments.

## How your Mercury operates

Your Mercury pool cleaner moves randomly throughout your pool, vacuuming the debris. The debris is collected in the Debris Bag, which should be emptied when full. Your Mercury will clean the floor and climb the walls of most pools - climbing is dependent on the shape of your pool, as Mercury climbs better when there is a generous radius between the floor and walls.

Your Mercury is connected to your pool via the Quick Disconnect/Universal Wall Fitting. The Quick Disconnect includes a Pressure Relief Valve, which automatically reduces water pressure to the Mercury, in the event that the pressure supplied is too high.

The Sweep Tail at the rear of the Mercury operates with a gently sweeping motion and helps prevent debris being trapped in hard to reach areas of your pool.

A key element of the Mercury's operation is the back-up cycle; approximately every 3 minutes, the Back-Up Valve will activate and Mercury will reverse for a short distance. This improves randomness and helps to prevent your Mercury cleaner from becoming stuck in one part of your pool. The Back-Up Valve is an integral part of the Mercury Body and is located just behind the Vacuum Tube.

## Quick Installation Instructions

### Installing the Universal Wall Fitting (UWF)

The UWF installs quickly and easily into a dedicated cleaner return line with a threaded 1.5" female pipe fitting. Just follow these simple steps:

1. Turn on your pool filtration pump and booster pump and allow them to run for several minutes to ensure the line is flushed clean.

2. Turn your pool pump and booster pump OFF.
3. Remove plastic bag from end of Quick Disconnect. Remove the threaded UWF from the Quick Disconnect. Then screw the UWF into the dedicated cleaner return line of the pool.
4. Attach the Quick Disconnect by turning it clockwise into the UWF. Pull gently on the hose to make sure the fitting is secure. **Note: Always make sure the stainless steel filter screen is in place before reconnecting the Quick Disconnect.**

You will now be able to connect and disconnect your Mercury Hose Set by simply turning the Quick Disconnect.

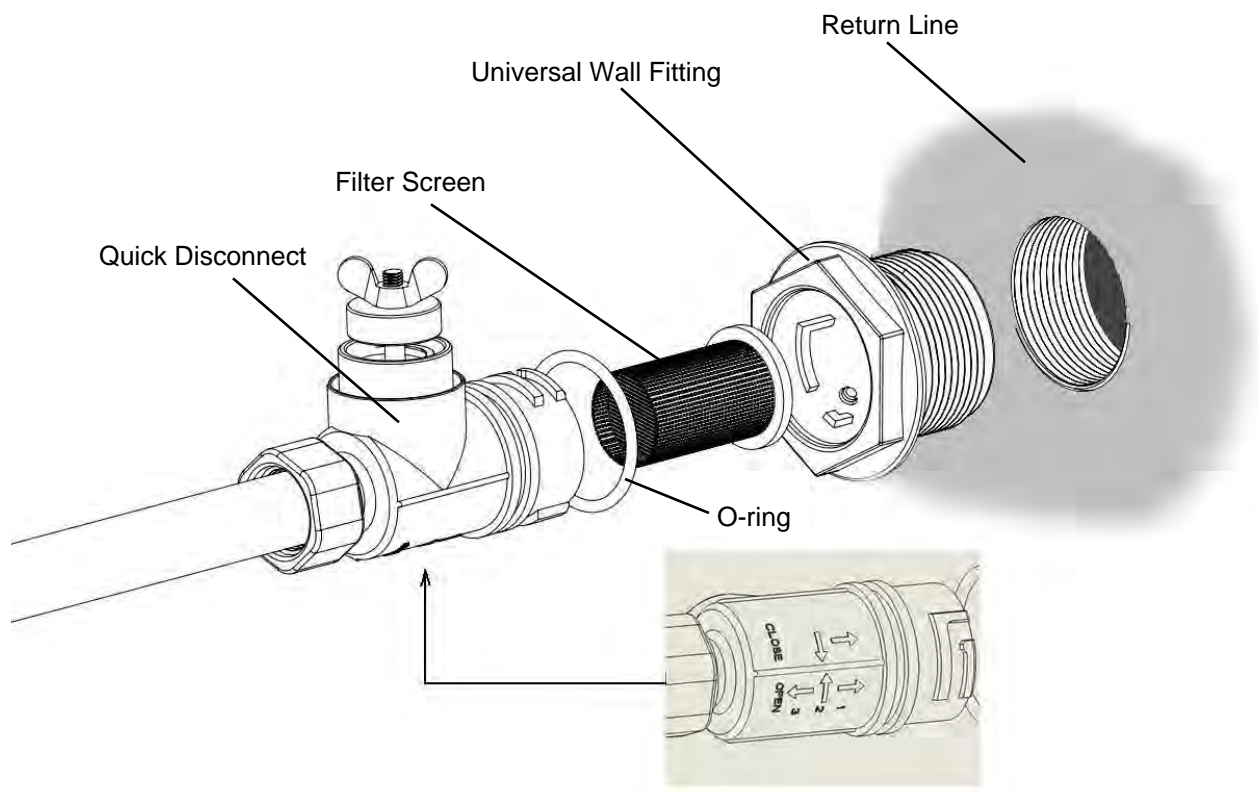


Fig.2

# Assembling Your Mercury Cleaner

## Attaching the Hose

Place the Mender Nut ( this can be found in the plastic bag covering the Quick Disconnect ) onto the Feed Mast. Then push the Feed Hose onto the mast and lock in place with the Mender Nut.

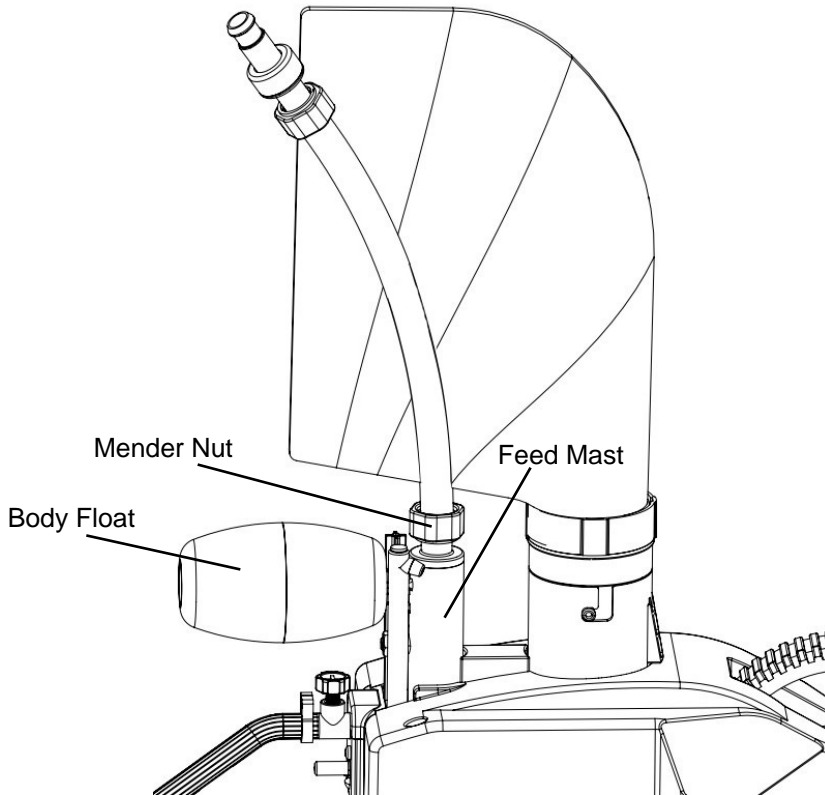


Fig.3

## Attaching The Debris Bag

1. Push the Debris Bag Connector into the Main Tube. Turn clockwise to lock the bag in place.
2. Attach the red tab located on the Debris Bag to the Hose. This helps keep the Debris Bag upright.

To remove the bag, simply turn the Debris Bag Connector anti-clockwise and pull up.

To clean the Debris Bag, remove it from your Mercury cleaner and open the rear of the bag by pulling the hook and loop apart. Shake out debris and rinse the bag to remove any fine sand/silt.

**Note:** It is often easiest to remove the debris after allowing the bag to dry. We provide a second Debris Bag for this purpose; you may find alternating between the two bags gives the best result.

## Attaching the Body Float

The large silver body Float is found in the carton with the Mercury Cleaner. To install it, simply push the Float onto the Float Arm. You may find it helpful to partial turn the float during the installation will make it easier to attach. See Fig 3 for the correct assembled position. **NEVER HOLD OR PICK-UP YOUR MERCURY CLEANER BY HOLDING THE BODY FLOAT/ARM.**

# Adjusting The Hose

Your Mercury comes complete with 32ft of pre-assembled Hose. This is sufficient for the majority of pools.

It is important that your Mercury cleaner hose is the right length for your pool. This will help ensure optimum performance and efficiency. Tailoring the Hose to your pool requires a few simple steps.

1. Connect the hose to the dedicated return line of your pool.
2. Extend the Hose to the farthest point of the pool. If the end of the hose is more than 2ft beyond the farthest point, the excess hose needs to be removed.
3. To remove the excess hose, separate the hose at the 2nd swivel from the Quick Disconnect. Cut any excess equally from the hose either side of this swivel. For example, if hose is 4ft too long, remove 2ft from each hose length. Then reconnect the Swivel and hose lengths and tighten in place using the Mender Nuts.

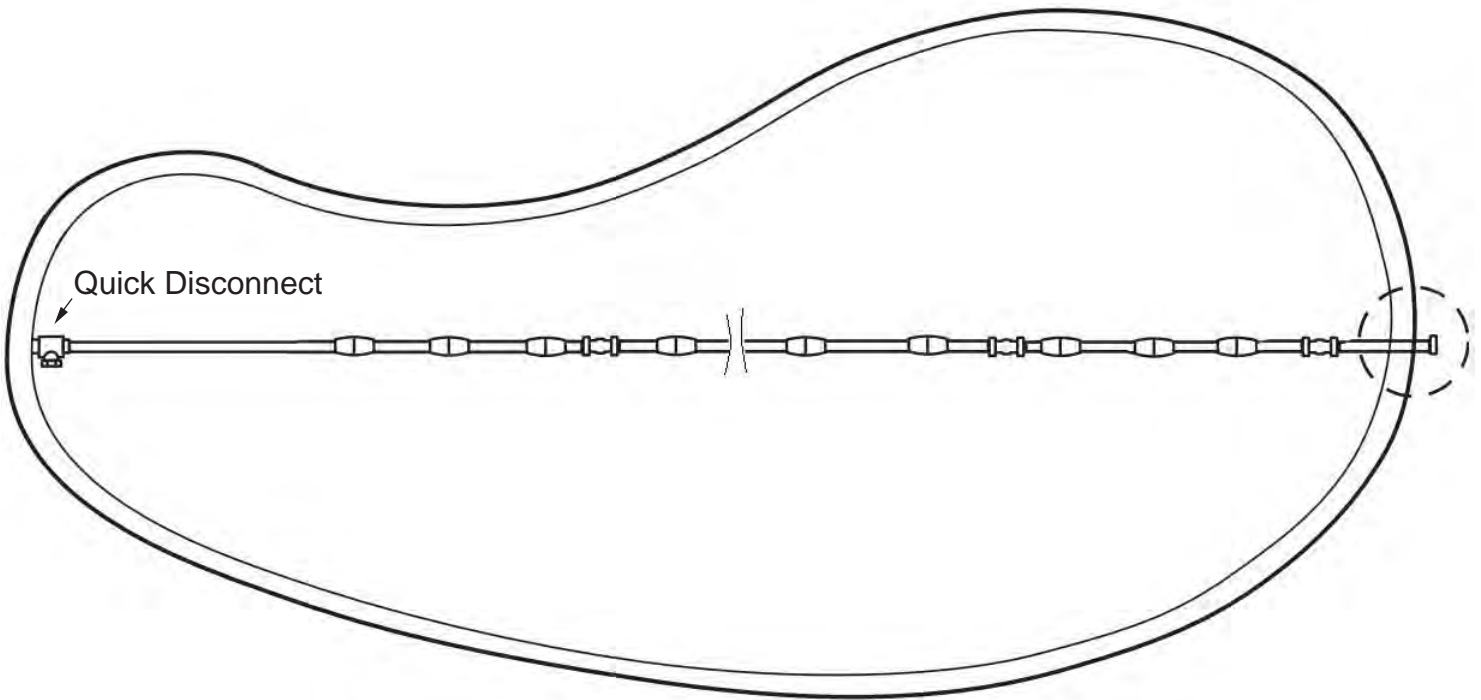


Fig.4

# Fine Tuning The Mercury

## Adjusting the Rear Thrust Jet

The Rear Thrust Jet can be adjusted to influence the movement of your Mercury cleaner. The factory setting is for the Jet to be positioned in the center and pointing slightly up. Moving the Jet to the left will cause the cleaner to move more to the left and moving it to the right will move the cleaner more to the right. Moving the Jet up will make the cleaner climb more and moving the Jet down will make it climb less. Please see the illustration below.

**Note:** Mercury's climbing ability is influenced by the shape of your pool. It will climb better in pools with a generous radius between the floor and walls.

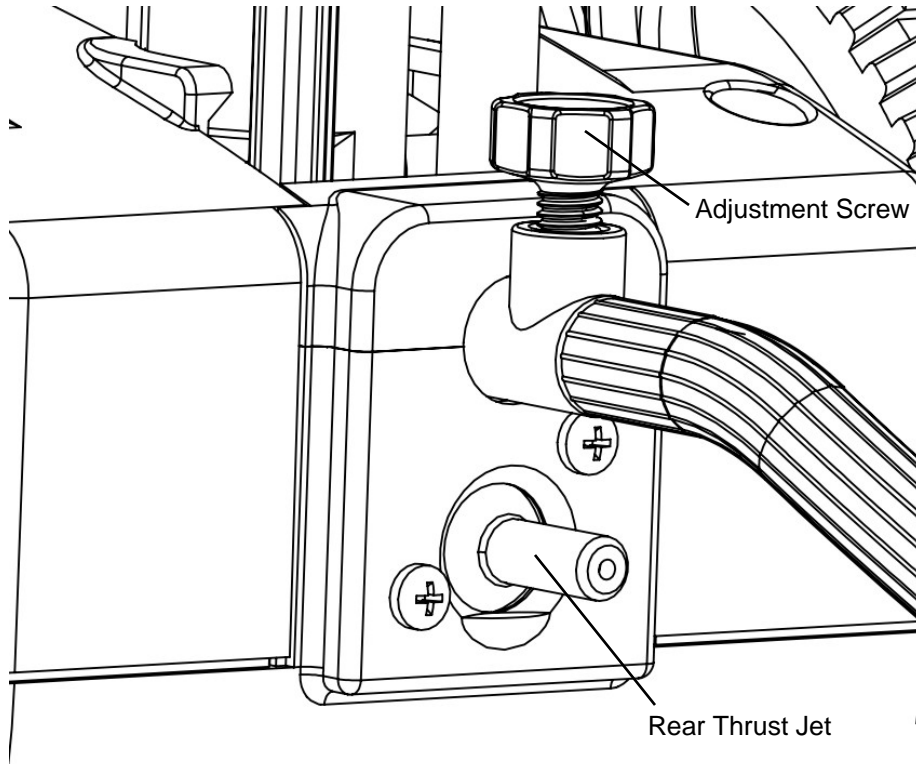


Fig.5

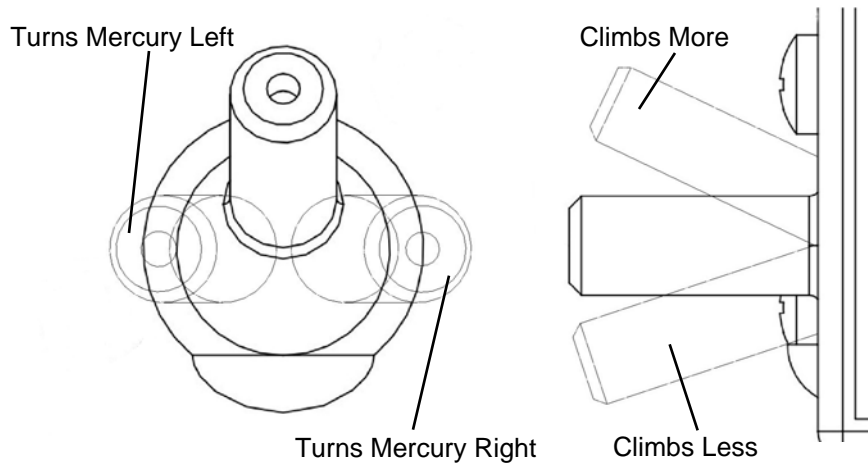


Fig.6

## **Sweep Tail Adjustment**

The Sweep Tail at the rear of your Mercury cleaner helps prevent debris from being trapped in hard to reach parts of your pool. It is designed to operate in a gentle, sweeping motion. The speed can be adjusted with the red Adjustment Screw at the rear of the cleaner (see Fig.6). Turning the Adjustment Screw clockwise will reduce the speed and counter clockwise will increase the speed of the sweep motion.

## **Checking the Wheel RPM**

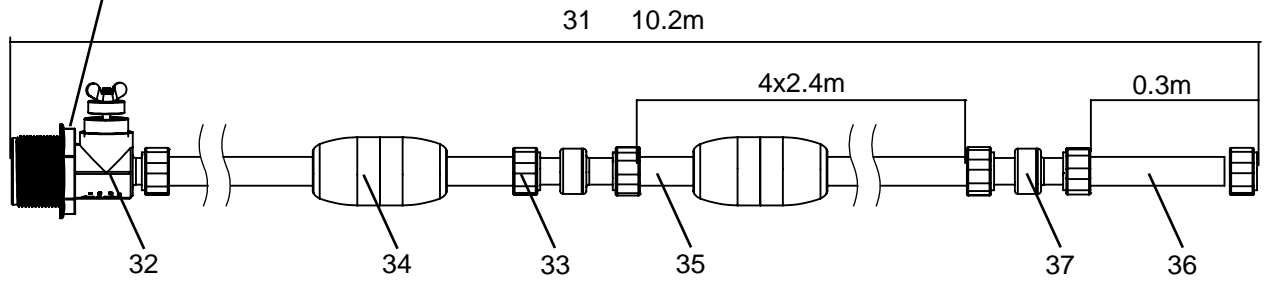
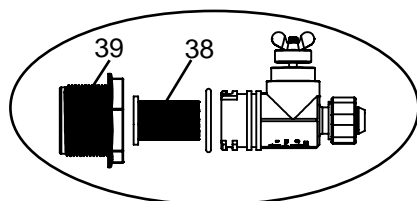
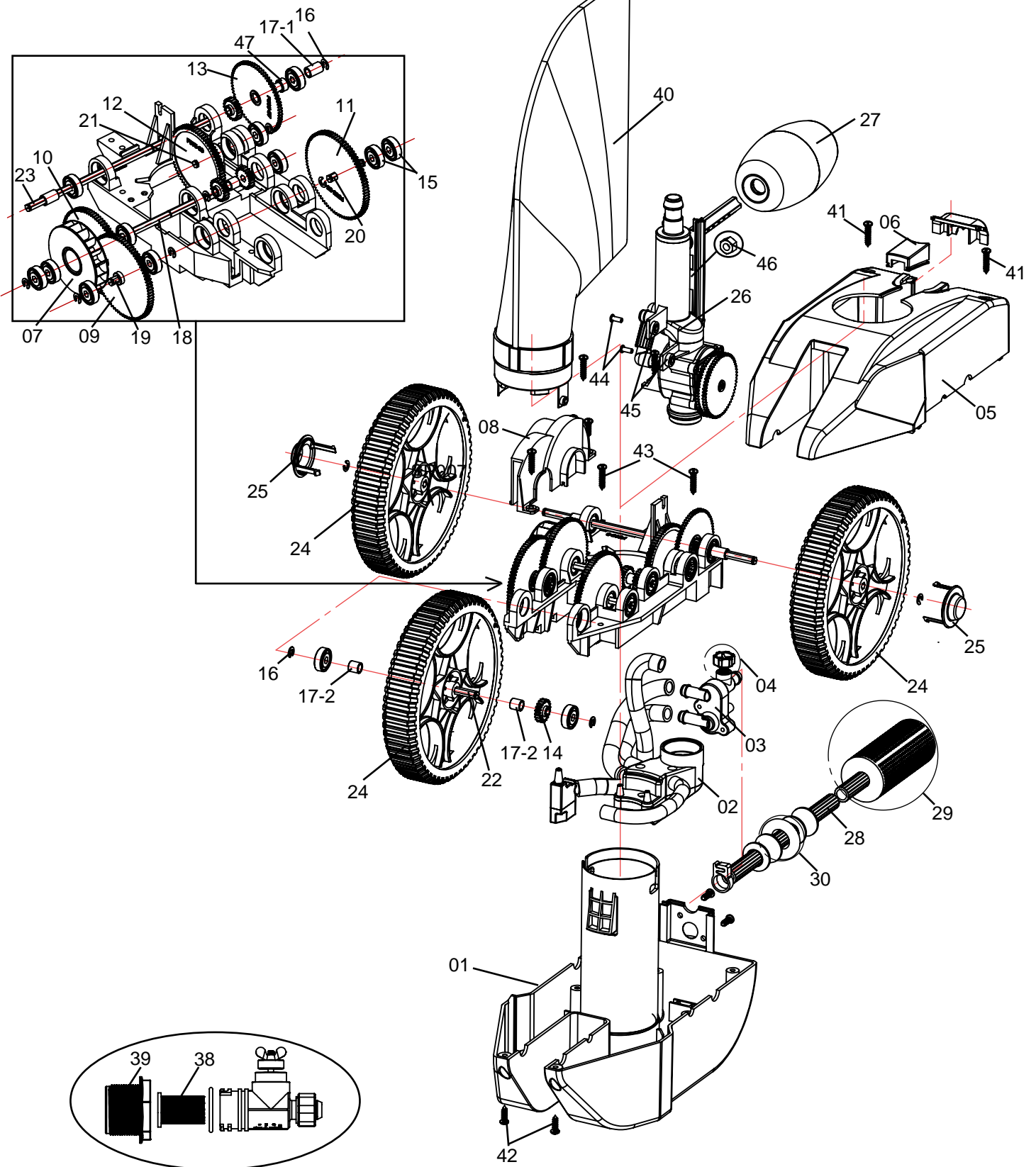
It is important that your Mercury cleaner operates at the correct wheel rpm. The ideal operating range is between 28-32 rpm. To check the rpm:

1. Switch off the pool and booster pump.
2. Remove the cleaner from the pool (leave it attached to the hose).
3. Fix a piece of tape onto one of the rear wheels. This will be a visual aid when counting the rpm.
4. Hold the Mercury under the water, being careful to keep the Sweep Tail underwater, to avoid being sprayed by the tail.
5. Have someone switch on the pool and booster pumps.
6. Wait until your Mercury has completed a back-up cycle, then count the wheel rotations for a period of 20 seconds. Multiple the answer by 3 to give the actual wheel rpm.

If the result is above 32 rpm, unscrew the pressure relief valve on the Quick Disconnect until the rpm is within the desired range of 28-32rpm.



# Exploded Parts Diagram



RL Part #	Description	Qty per cleaner	RL Part #	Description	Qty per cleaner	RL Part #	Description	Qty per cleaner
SP001	Main Body Base	1	SP021	Rear Drive Axle	1	SP031	Hose Set	1
SP002	Flow Management Unit	1	SP022	Front Wheel Axle	1		Quick Disconnect Flow Control	1
SP003	Rear Jet Control Unit	1	SP023	Rear Wheel Axle	1		Mender Nut	10
SP004	Sweep Tail Adjuster	1	SP024	Wheel Assembly	3		Hose Float	14
SP005	Main Body Top	1	SP025	Wheel Cap	2		Long Hose Section	4
SP006	Body Top Cover	1	SP026	Back-Up Valve & Feed Mast - Combined.	1	SP032	Quick Disconnect Flow Control	1
SP007	Impeller	1		Feed Mast & BUV Frame	1	SP033	Mender Nut	10
SP008	Impeller Cover	1		BUV Rotor	1	SP034	Hose Float	14
SP009	Front 2-Step Drive Gear	1		BUV Cover	1	SP035	Long Hose Section	4
SP010	Rear 1-Step Drive Gear	1		Bearing Cover	2	SP036	Short Hose Section	1
SP011	Front Wheel Drive Gear	1		Cover O-Ring	1	SP037	Hose Swivel	4
SP012	Rear Wheel Drive Gear	1		Rear 2-Step Drive Gear	1	SP038	Inline Filter	1
SP013	BUV Drive Gear	1		BUV Timing Gear	1	SP039	Universal Wall Fitting	1
SP014	Small Gear	4		Collar	1	SP040	Debris Bag - Standard	1
SP015	Bearing	14		BUV Connector	1	SP041	Screw ST 4.2x38mm	3
SP016	E-Clip	14	SP027	Body Float	1	SP042	Screw ST 4.2x16mm	10
SP017	Collar Set (3 x Short, 2 x Long)	1 set	SP028	Sweep Tail Assembly	1	SP043	Screw ST 4.2x25mm	4
		3		Sweep Tail Hose	1	SP044	M4 Plug	2
		2		Tail Spacer Weight	8	SP045	M4 Nut	2
SP047	Bearing Cover	1		Wear Ring	4	SP046	M8 Nut	1
SP018	Power Axle	1		Tail Lock Ring	1			
				Tail Outlet	1			
SP019	Variable Speed Axle	1	SP029	Tail Foam	1			
			SP030	Wear Ring	4			
SP020	Front Drive Axle	1						

# TROUBLESHOOTING GUIDE

Problem	Solution
Mercury doesn't move, moves sluggishly or hangs up on steps or other obstacles.	<ol style="list-style-type: none"> <li>1. Check Wall Fitting screen for debris and, if necessary, rinse to clean.</li> <li>2. Check wheel rpm.</li> <li>3. Check that Back-Up Valve is operating correctly.</li> <li>4. Check hose connections to ensure there are no leaks.</li> </ol>
Mercury falls on its side.	<ol style="list-style-type: none"> <li>1. Empty Debris Bag.</li> <li>2. Make sure the Body Float is not damaged. Check to ensure there is no water inside the Body Float.</li> </ol>
Mercury will not climb the pool walls.	<ol style="list-style-type: none"> <li>1. Brush walls of the pool.</li> <li>2. Check wheel rpm.</li> <li>3. Reposition Rear Thrust Jet. See "Adjusting the Rear Thrust Jet" for details.</li> </ol>
Mercury doesn't back-up.	<ol style="list-style-type: none"> <li>1. Make sure Back-Up Valve is operating.</li> <li>2. Empty Debris Bag.</li> <li>3. Check the wheel rpm.</li> </ol>
Feed hose is tangled.	<ol style="list-style-type: none"> <li>1. Check length of Hose. Using too much Hose can cause it to tangle.</li> <li>2. Check Hose Swivels to make sure they are working correctly.</li> <li>3. Check that Hose is floating on the surface of the pool and that Hose Floats are not damaged.</li> </ol>
Sweep Tail is sucked into the Mercury vacuum tube.	<ol style="list-style-type: none"> <li>1. Reduce the speed of movement of the Sweep tail, by turning the Adjustment Screw clockwise.</li> </ol>
Sweep Tail breaks the surface and sprays water out of the pool.	<ol style="list-style-type: none"> <li>1. Reduce speed of movement of the Sweep tail by turning Adjustment Screw clockwise.</li> <li>2. Pull Sweep Tail Foam so it covers more of the tip of the hose.</li> <li>3. Replace Sweep Tail Foam if it is worn.</li> </ol>
Mercury is running in circles	<ol style="list-style-type: none"> <li>1. Check that the body Float is not damaged.</li> <li>2. Empty Debris Bag.</li> <li>3. Check the wheel rpm.</li> </ol>

# Routine Maintenance

## 1. Cleaning the Debris Bag

To clean the Debris Bag, remove it from your Mercury cleaner and open the rear of the bag by pulling the hook and loop strips apart. Shake out the debris and rinse the bag to remove any fine sand/silt.

**Note:** It is easiest to remove the debris after allowing the bag to dry. We provide a second Debris Bag for this purpose; you may find alternating between the two bags will give the best results.

## 2. Quick Disconnect Filter Screen

Inside the Quick Disconnect is a stainless steel filter screen. This helps ensure that any debris that may pass through the pool filter does not enter the Mercury cleaner. The filter screen requires periodic cleaning.

To clean the filter screen, switch off the pool and booster pump and undo the Quick Disconnect. Remove the Filter Screen and rinse it. Replace the Filter Screen and reconnect the Quick Disconnect.

*Never operate your Mercury cleaner without the Filter Screen in place. Doing so may damage the Mercury and will void the warranty.*

## 3. Checking the Sweep Tail

The Sweep Tail is an effective aid to cleaning. It's gentle motion helps dislodge debris from difficult to reach areas of your pool. As it is in almost constant contact with the pool floor, it is subject to wear in normal use. Periodically check the Sweep Tail Foam, Wear Rings and Hose and replace any parts that show signs of excessive wear.

## 4. Checking Tires

The tires of the Mercury cleaner provide protection for the pool surface and traction for the cleaner. Tires should be replaced when the tread shows signs of excessive wear.

## 5. Checking Body Float, Feed hose Floats & Swivels

These items should be checked periodically to ensure they are not damaged and are functioning correctly. To make sure the Floats are not leaking, switch off the pool and booster pumps and shake the floats and listen to see if there is water inside the Float. To check the Hose Swivels, simply twist them to make sure they turn freely. Any parts that are worn or damaged should be replaced.

## Storage

Do not store your Mercury cleaner in direct sunlight.

Ensure all water is drained from the Mercury before storing, as any damage due to freezing is not covered by the warranty. The Mercury hose can be stored using the Hose Storage Strap provided.

---

Details of the limited warranty provided for your Mercury cleaner are shown on the following page. This limited warranty is for one year. We will be pleased to provide you with assistance throughout your ownership of this Mercury cleaner. Please do contact us if require help, or have any queries regarding your Mercury.

**Red Leopard LLC**  
**2459 N. Horseback Ave.**  
**Pine Ridge**  
**FL 34465**

**Telephone: (352) 746-3869**  
**Fax: (352) 484-1162**  
**Email: sales@red-leopard.net**

Please also visit our website at [www.red-leopard.net](http://www.red-leopard.net).

---



---

## Mercury Automatic Pool Cleaner Limited Warranty

Your Mercury pool cleaner was carefully inspected prior to shipment. If, after opening the pack, any part is missing or defective, please notify us immediately. Red Leopard LLC ("Red Leopard") warrants this Mercury pool cleaner against manufacturing defects for a period of one year. This limited warranty is effective from the date of purchase, with proof of purchase.

This limited warranty is for replacement parts only.

### **The following are excluded from this limited warranty:**

1. Damage to, or malfunction of, the Mercury pool cleaner as a result of improper water chemistry, including but not limited to, excess chlorination.
2. Discoloration of the Mercury pool cleaner. Exposure to ultraviolet light rays and pool chemicals can cause discoloration of the Mercury pool cleaner.
3. Pattern removal, abrasion or marking of vinyl liners.
4. Damage to vinyl liners where the age, care, maintenance and improper installation of the vinyl liner may have caused it to become wrinkled or brittle. Use of the Mercury pool cleaner in such circumstances is at the pool owner's risk.

### **This limited warranty does not apply if the failure is caused or contributed to by any of the following:**

Improper installation, improper usage, improper handling, improper maintenance, improper storage, freeze damage, removal of the Filter Screen, lack of necessary maintenance.

This limited warranty shall be void if anyone modifies the Mercury pool cleaner in anyway, or uses parts other than genuine Red Leopard Mercury parts.

Only the original purchaser is entitled to make a warranty claim.

This limited warranty gives the purchaser specific legal rights and accordingly, some of the listed conditions may not apply in certain states.

These warranties are in lieu of any other warranties, expressed or implied, including warranties of fitness and merchantability. Any such implied warranty imposed by state consumer law is limited to one year from date of purchase.

Red Leopard assumes no responsibility for any warranties or representations made by other individuals or businesses, beyond the express terms contained in this limited warranty. In no event shall Red Leopard be liable for incidental or consequential damages of any nature or for damages to persons or property.

This Mercury pool cleaner is not warranted or guaranteed outside of the United States of America and Canada.

**To register your Mercury pool cleaner, please go to [www.red-leopard.net](http://www.red-leopard.net) and complete the online registration.**

**You will need the serial number of your Mercury for warranty registration. This number can be found on the underside of the cleaner body. Make a note of it in the space below and keep it for future reference**

**MERCURY SERIAL #:** \_\_\_\_\_

---