

# 20" FULL CIRCLE® SUCTION OUTLET COVER AND ONE-PORT MANUFACTURED SUMP

## VGB Series

The AquaStar line of suction outlet covers, compliant with the Virginia Graeme-Baker Pool and Spa Safety Act (ANSI/APSP 16-2011 and NSF/ANSI 50-2009a)

### FEATURES

For single or multiple drain use  
(see installation instructions)

Single – floor only  
158 GPM at 1.2 fps

Floor only:  
196.4 GPM at 1.5 fps  
130.9 GPM at 1.0 fps

When 1.0 or 1.5 fps installations are not  
required, always use the lower tested flow rate

42 square inch opening

#316 stainless steel screws

Disposable plaster shield prevents debris  
from entering sump and retains shape during  
pool finish

Waterstop around edges prevents water leaks

Unique circle design is filled with  
plaster/pebble to blend into pool finish

Manufactured from superior UV-resistant PVC

One port:

Bottom 2½" spigot x 2" socket x 2" NPT

All components meet or exceed ANSI/APSP  
16-2011 and NSF/ANSI 50-2009a national  
standards and ASTM G154 UV testing exposure

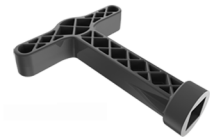
Replace every five years from the date  
of installation

1 per case

U.S. patent D700299

## Unblockable!

No second drain or SVRS required –  
two drains in one

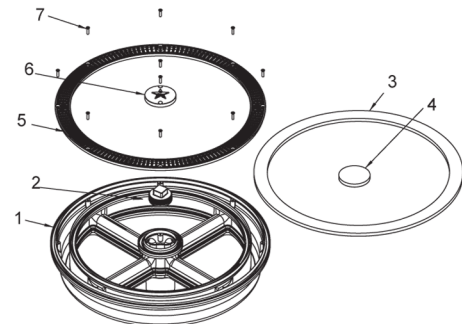
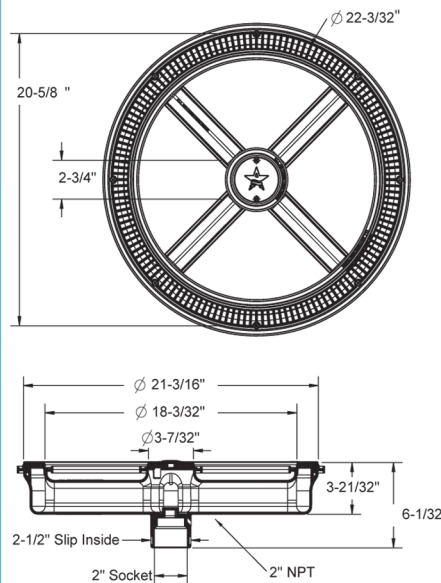


Optional T-Wrench  
p/n FC16102

Part # FCxxx

### STANDARD COLORS

- FC101 – White
- FC102 – Black
- FC103 – Light Gray
- FC104 – Blue
- FC105 – Dark Gray
- FC108 – Tan



1. 20" Round PVC Sump
2. 2" Tapered Threaded Pipe Plug
3. 20" Round Outlet Cover Plaster Shield
4. Round Center Cap Plaster Shield
5. 20" Round Anti-Entrapment Suction Outlet Cover
6. Round Center Cap
7. 10-32 x 3/4 Flat Head Phillips, 316 SS, Qty 10

VGB 2008 Compliant