

ETI 400™ HEATER

REPLACEMENT PARTS

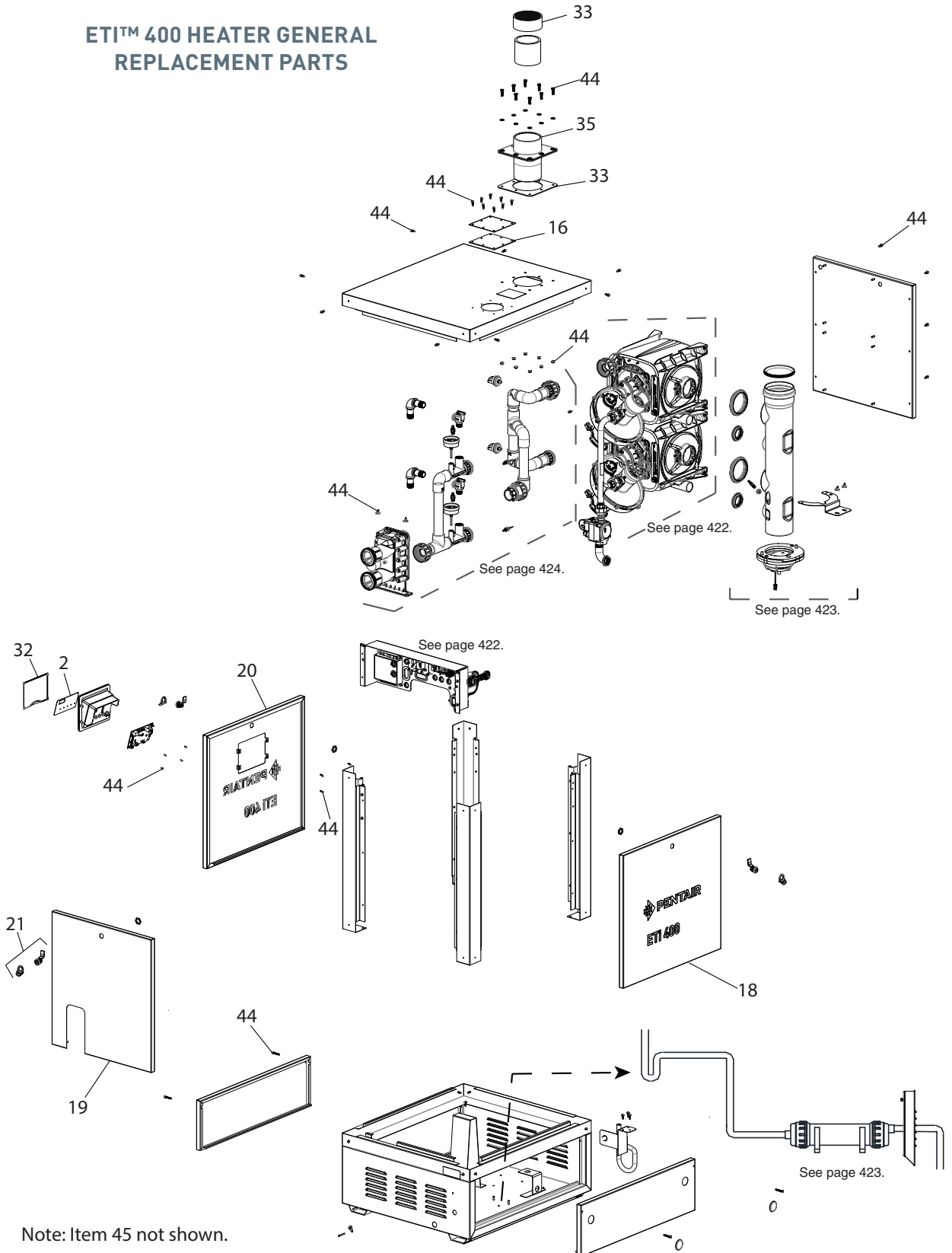
Item	Part No.	Description
SYSTEM		
1	475978	Fan Control Board
2	475984	Membrane Pad
3	475985	AGS 150 degree F
4	475987	Air Pressure Switch
5	475996	Wire Harness
6	475998	Thermal Fuse
7	475601	Stack Flue Sensor
8	475989	Spark Electrodes
9	475982	Spark Electrodes Cables
10	475980	Condensate Assembly/Float Switch
11	475615	HX and Chimney Gaskets
12	475606	Heat Exchanger Screws
13	475979	Assembly, Plug 120/240V
14	475603	Tridicator
15	475604	Air Orifice
16	475973	Heater Gasket Kit
17	475971	Air Intake Kit
18	475608	Gas Side Panel
19	475609	Water Manifold Panel
20	475610	Control Board Panel
21	475611	Latch Assembly
22	475612	Condensate Neutralizer Kit
23	475613	Inlet Plumbing Assembly
24	475614	Outlet Plumbing Assembly
25	475617	Exhaust Assembly
26	42001-0056S	Terminal Board
27	32850-0099	Fireman's Swtich Fuse (1.25 amps)
28	42001-0053S	Thermistor, Water Sensor
29	42001-0060S	Water Pressure Switch
30	42001-0107S	Dual Voltage Transformer
31	475618	Pressure Relief Valve
32	475619	Control Cover
33	475620	Vent Cap Exhaust
34	475621	Water Bypass Assembly
35	475622	Vent Socket
36	475623	TitanTough Heat Exchanger
37	475624	Burner
38	476000	Blower
39	476001	Gas Valve
40	38404-4097S	3/4 in. Union

Item	Part No.	Description
41	42001-0063S	High Limit Switch
42	U178-920P	Drain Plug
43	476002	Manifold
44	476003	Manifold-Enclosure Fasteners
45	476004	Hold Down Bracket Kit
46	476040	Propane Gas Orifice Kit

ETI 400™ HEATER (CONT'D)

REPLACEMENT PARTS

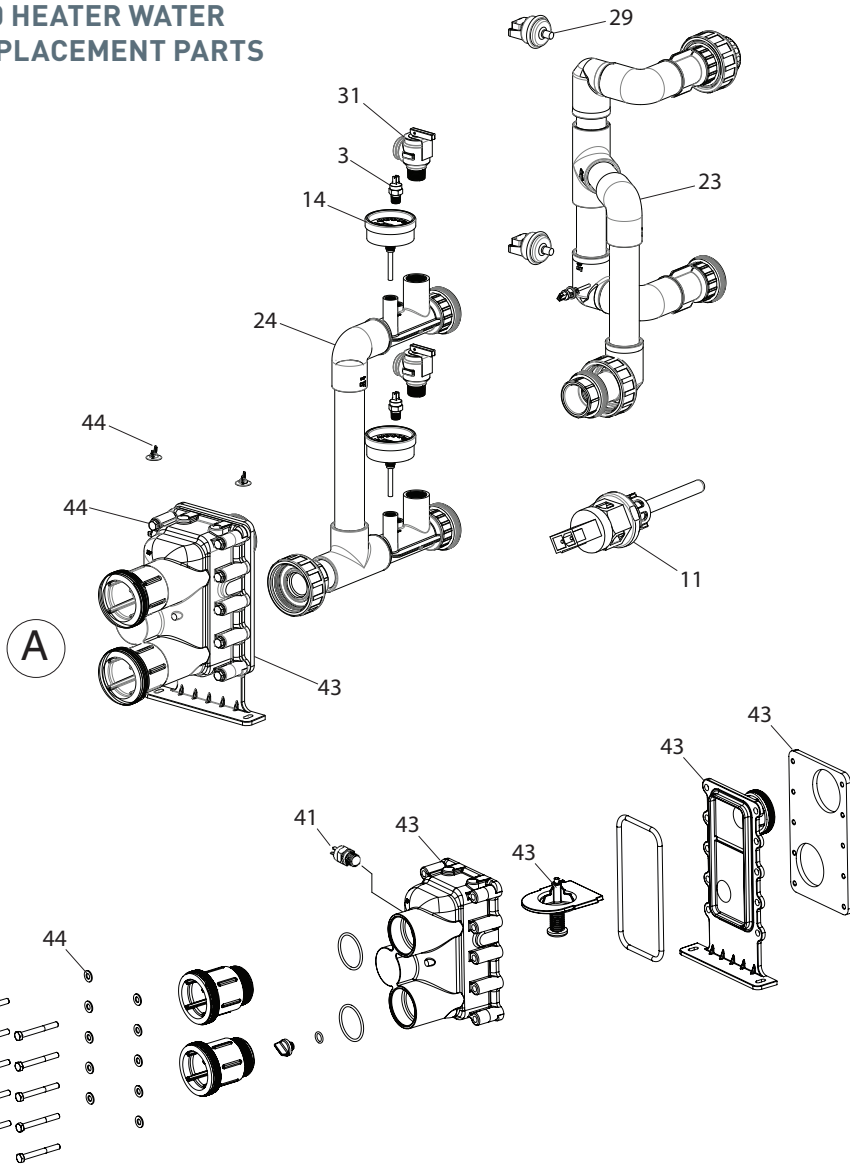
ETI™ 400 HEATER GENERAL REPLACEMENT PARTS



ETI™ 400 HEATER (CONT'D)

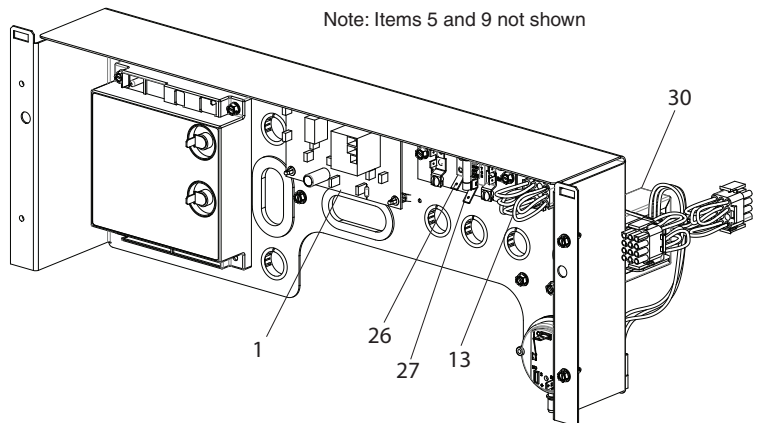
REPLACEMENT PARTS

ETI™ 400 HEATER WATER SYSTEM REPLACEMENT PARTS



Note: Items 5 and 9 not shown

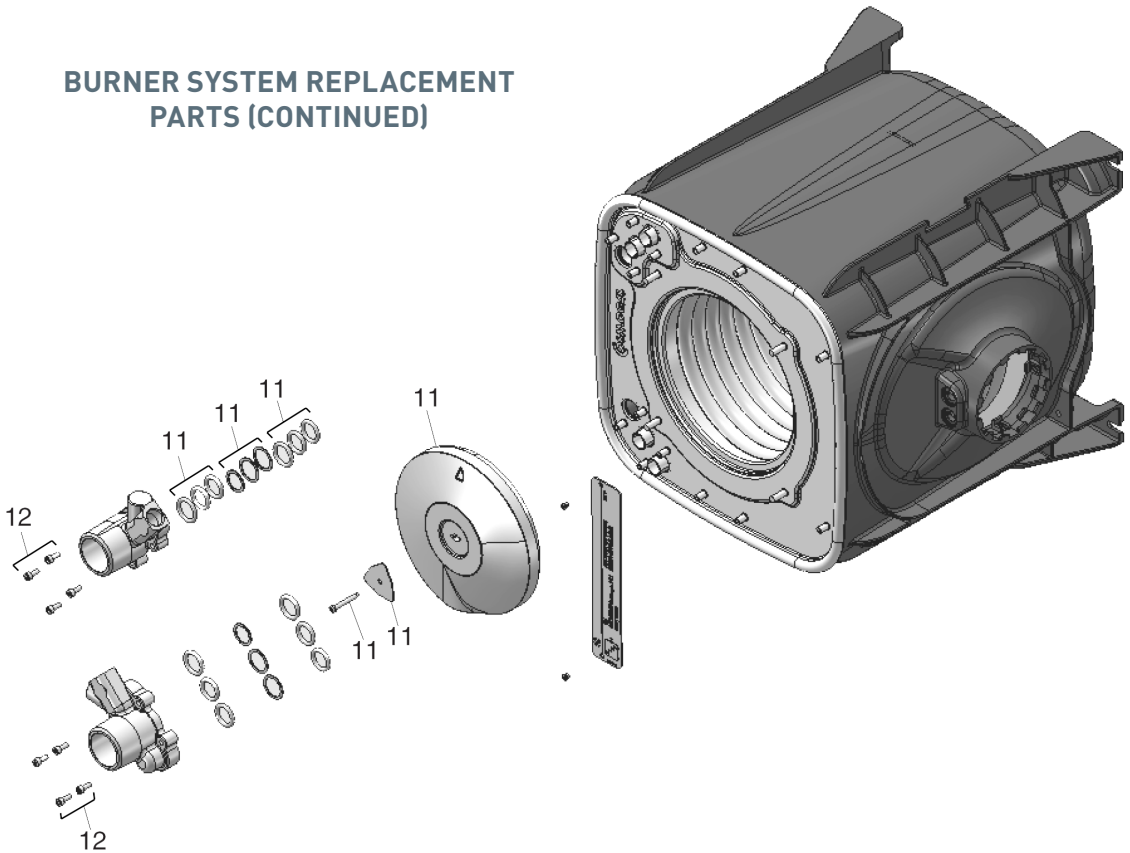
OPERATOR CONTROL PANEL ASSEMBLY REPLACEMENT PARTS



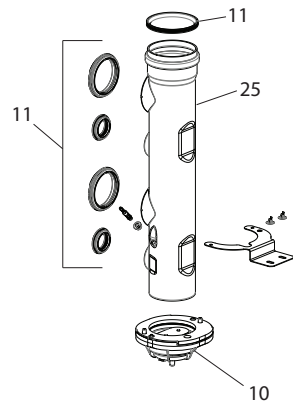
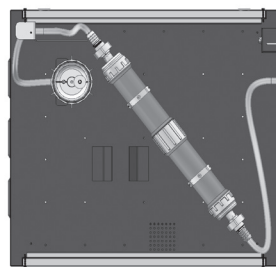
ETI™ 400 HEATER (CONT'D)

REPLACEMENT PARTS

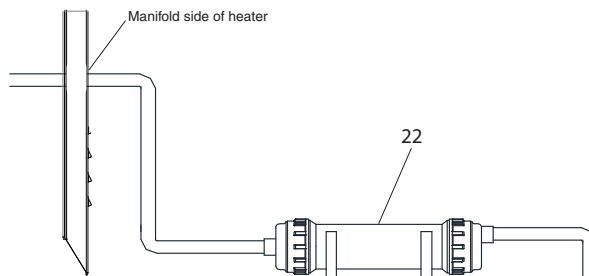
BURNER SYSTEM REPLACEMENT PARTS (CONTINUED)



ETI™ 400 HEATER CONDENSATE ASSEMBLY REPLACEMENT PARTS



Condensate Neutralizer Cartridge (Optional, P/N 475612 sold separately). The cartridge may be mounted to the base of the heater for an outdoor installation.



Condensate Neutralizer Cartridge (Optional, P/N 475612 sold separately). The cartridge may be mounted external to the heater for an indoor installation.

ETI™ 400 HEATER (CONT'D)

REPLACEMENT PARTS

BURNER SYSTEM REPLACEMENT PARTS

Note: Item 11, 12, 17, 37 not shown.

