

# **POOL BLASTER<sup>®</sup>** **VOLT** **FX-8**

**Cordless Vacuum**  
**Aspirateur pour piscine**

Aspiradora portátil

Aspirador sem cabo de corrente

Kabelloser Sauger

Snoerloze stofzuiger

Aspiratore senza fili



**Operator Manual**  
**Manuel de l'opérateur**

Manual de uso

Manual do Operador

Bedienungshandbuch

Gebruikershandleiding

Manuale dell'operatore

## **SAFETY WARNINGS**

Read carefully and understand all safety warnings before operating. Failure to do so may result in serious personal injury.

Never allow children to operate this product. This is NOT a toy, children should be supervised to ensure they do not play with this product.

Keep the cleaner and its accessories out of reach of children.

Do not attempt to operate if the cleaner or charger appear to be damaged in any way.

This cleaner is not intended for use by persons with reduced physical, sensory or mental capabilities, or lack of experience and knowledge, unless they have been given supervision or instruction concerning the use of the appliance by a person responsible for their safety.

The warnings, cautions, and instruction discussed in this instruction manual cannot cover all possible conditions or situations that could occur. It must be understood, the operator should always exercise intensive caution and common sense when utilizing the cleaner.

Do not plug or unplug charger into a power source or the appliance with wet hands.

Do not handle the cleaner with wet hands or without shoes.

Do not operate this cleaner in the presence of flammable or combustible liquids.

Never service the cleaner while the unit on or connected to the charger.

Use only the charger supplied with the cleaner.

Never place the charger in any liquid. Never expose the charger to rain, water or moisture, or extreme heat or cold.

Disconnect the charger from power outlet when not in use or when performing any routine maintenance on the cleaner.

This cleaner contains re-chargeable batteries. Do not incinerate the battery as it will explode at high temperatures. Always dispose of batteries in accordance with local law.

Leaks from a battery may occur under extreme conditions. If battery liquid gets on the skin, wash immediately with water. If it gets in your eyes, immediately flush your eyes with a mild solution of baking soda and water, and seek medical attention.

Keep hair, loose fitting clothing and all body parts away from openings and moving parts of this cleaner

## **USAGE INFORMATION**

Do not attempt to use if the cleaner or charger appear to be damaged in any way.

Use this product only for its intended purpose as described in this manual. Use only Water Tech accessories and filters.

This product is not intended for commercial use.

Never leave your cleaner plugged in during long-term storage, (maximum charging time should not exceed 24 hours).

Never leave your cleaner in water when it is "OFF" or when it has run out of power.

Do not use your cleaner for pool openings; the cleaner is designed for routine maintenance of your pool or spa.

The cleaner is designed for underwater use in swimming pools or spas only. It is not an all-purpose vacuum cleaner.

Submerge the cleaner in water immediately after turning the unit "ON" to prevent damage to the seal on the motor shaft. Failure to do so will shorten the life of the water seal and / or void the warranty.

Store cleaner in a clean dry place. Do not store in direct sunlight or expose to extreme temperatures.

Avoid picking up sharp objects as they may damage the filter.

Keep all openings on the cleaner free of debris which may reduce water flow.

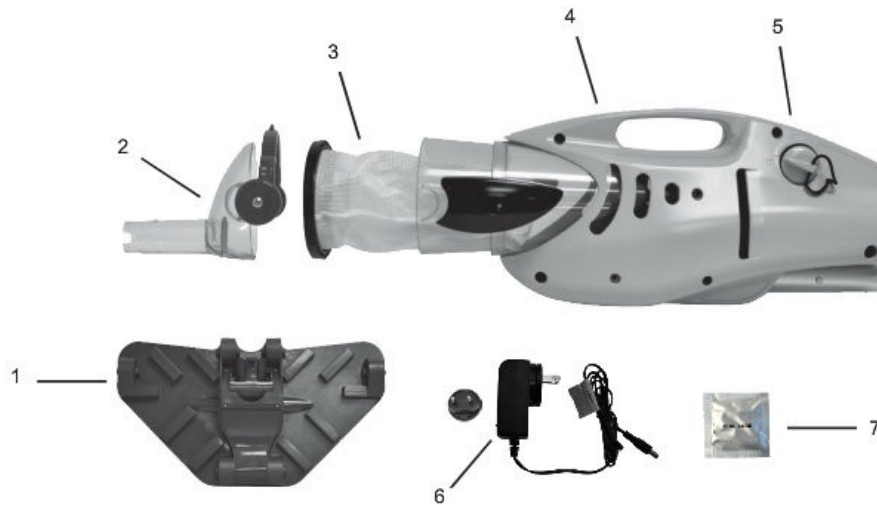
Do not place the cleaner or charger on or near hot surfaces.

Never carry the charger by its cord or disconnect it from an outlet by pulling on the cord.

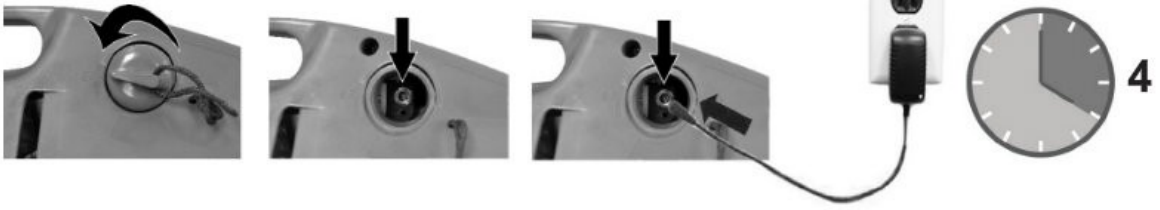
For best results use the charger in locations where temperatures are between 50° F / 10°C and 100° F / 37.7° C

Do not use or store the charger outdoors. Charge your cleaner in a clean, dry place and only with the charger provided. Do not use a charger supplied with any other appliance.

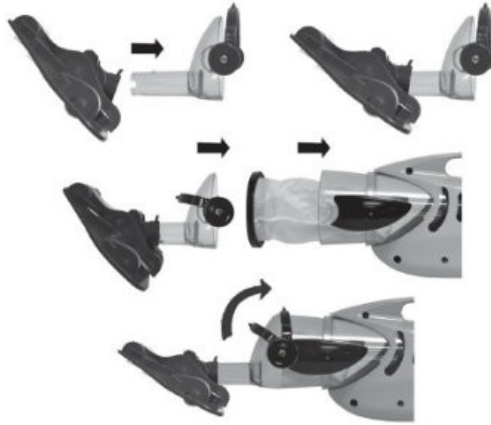
- |   |   |   |  |
|---|---|---|--|
| <p><b>1. Vacuum Head</b><br/> Tête d'aspiration<br/> Cabezal de la aspiradora<br/> Cabeça de aspiração<br/> Saugerkopf<br/> Zuigpot<br/> Testa di aspirazione<br/> (PBA006-13)</p>  | <p><b>2. Nose Cap</b><br/> Embout<br/> Contenedor de desechos<br/> Tampa do nariz<br/> Nasenkappe<br/> Neusdop<br/> Tappo a bocchetta<br/> (PBA002HD)</p>   | <p><b>3. Filter Bag</b><br/> Sac-filtre<br/> Bolsa de filtro<br/> Bolsa-filtro<br/> Filterbeutel<br/> Filterzak<br/> Sacchetto filtrante<br/> (PBW022XF-HD)</p>                                       | <p><b>4. Cleaner Body</b><br/> Corps de l'aspirateur<br/> Cuerpo de la limpiadora<br/> Corpo do aparelho de limpeza<br/> Reinigerkörper<br/> Pool Blaster stofzuiger<br/> Corpo aspiratore</p> |
| <p><b>5. On/Off Switch</b><br/> Bouton Marche-Arrêt<br/> Perilla de Encendido/Apagado<br/> Interruptor (LIGADO/DESLIGADO)<br/> EIN/AUS-Schalter<br/> Aan/uit schakelaar<br/> Pulsante di accensione/spengimento<br/> (PBW017)</p> | <p><b>6. Charger and EU Adapter</b><br/> Chargeur et l'adaptateur de l'UE<br/> Cargador y Adaptador de la UE<br/> Carregador e Adaptador de UE<br/> Ladegerät und EU-Adapter<br/> Lader en EU Adapter<br/> Caricabatterie e Adattatore UE<br/> (PBA099-8-US-EU)</p> | <p><b>7. Lube Packet</b><br/> Paquet de lubrification<br/> Paquete con lubricante<br/> Pacote de lubrificação<br/> Schmierölpaket<br/> Smeerpakket<br/> Pacchetto di lubrificazione<br/> (PBLUBE)</p> |  |



**A**



**B**



**C**



**D**

