

# AquaVac® 500 Series Owner's Manual



## Contents

Warnings .....	2
Information .....	4
Operating Instructions .....	7
Maintenance .....	13
Troubleshooting .....	17
Warranty Registration.....	23

## **SAVE THIS OWNER'S MANUAL** **IMPORTANT SAFETY INSTRUCTIONS**

Basic safety precautions should always be followed, including the following: Failure to follow instructions can cause severe injury and/or death.

**!** This is the safety-alert symbol. When you see this symbol on your equipment or in this manual, look for one of the following signal words and be alert to the potential for personal injury.

**!** **WARNING** warns about hazards that **could** cause serious personal injury, death or major property damage and if ignored presents a potential hazard.

**!** **CAUTION** warns about hazards that **will** or **can** cause minor or moderate personal injury and/or property damage and if ignored presents a potential hazard. It can also make consumers aware of actions that are unpredictable and unsafe.

Hayward Pool Products

620 Division Street, Elizabeth, NJ

07207 Phone: (908) 351.5400

[www.hayward.com](http://www.hayward.com)



# HAYWARD®



**⚠ WARNING – READ AND FOLLOW ALL INSTRUCTIONS** in this owner's manual and on the equipment. Failure to follow instructions can cause severe injury and/or death.

**⚠ WARNING** - Ensure that children do not attempt to access cleaner while it is operating. Closely supervise children at all times.

**⚠ WARNING – Suction Entrapment Hazard.**

Suction in suction outlets and/or suction outlet covers which are, damaged, broken, cracked, missing, or unsecured can cause severe injury and/or death due to the following entrapment hazards:



**Hair Entrapment-** Hair can become entangled in suction outlet cover.



**Limb Entrapment-** A limb inserted into an opening of a suction outlet sump or suction outlet cover that is damaged, broken, cracked, missing, or not securely attached can result in a mechanical bind or swelling of the limb.



**Body Suction Entrapment-** A negative pressure applied to a large portion of the body or limbs can result in an entrapment.



**Evisceration/ Disembowelment** - A negative pressure applied directly to the intestines through an unprotected suction outlet sump or suction outlet cover which is, damaged, broken, cracked, missing, or unsecured can result in evisceration/ disembowelment.

**Mechanical Entrapment-** There is potential for jewelry, swimsuit, hair decorations, finger, toe or knuckle to be caught in an opening of a suction outlet cover resulting in mechanical entrapment.



**⚠ WARNING - Risk of Electric Shock.** All electrical wiring **MUST** be in conformance with applicable local codes, regulations, and the National Electric Code (NEC). Hazardous voltage can shock, burn, and cause death or serious property damage. To reduce the risk of electric shock, do **NOT** use an extension cord to connect unit to electric supply. Provide a properly located electrical receptacle. Before working on any electrical equipment, turn off power supply to the equipment.

**⚠ WARNING** - To reduce the risk of electric shock replace damaged wiring immediately. Do not bury cord. Locate cord to prevent abuse from lawn mowers, hedge trimmers and other equipment.

**⚠ WARNING** - Do **NOT** ground to a gas supply line.

**⚠ WARNING** - To avoid dangerous or fatal electrical shock, turn **OFF** power to all electrical equipment before making electrical connections.

**⚠ WARNING** - Risk of Electric Shock. Connect only to a branch circuit protected by a ground-fault circuit-interrupter (GFCI). Contact a qualified electrician if you cannot verify that the circuit is protected by a GFCI.

**⚠ WARNING** - Risk of Electric Shock. The power supply must be connected only to a supply circuit that is protected by a ground-fault circuit-interrupter (GFCI). This GFCI should be tested on a routine basis. To test the GFCI, push the test button. The GFCI should interrupt power. Push reset button. Power should be restored. If the GFCI fails to operate in this manner, the GFCI is defective. If the GFCI interrupts power to the power supply without the test button being pushed, a ground current may be flowing, indicating the possibility of an electrical shock. Do not use this Power supply. Disconnect the power supply and have the problem corrected by a qualified service representative before using.

## CONTINUED



**⚠ WARNING - TO REDUCE THE RISK OF INJURY; DO NOT PERMIT CHILDREN TO USE THIS PRODUCT.**

ALWAYS REMOVE THE CLEANER COMPLETELY FROM THE POOL PRIOR TO ENTERING THE POOL.

ALWAYS PUT THE CLEANER INTO THE WATER BEFORE connecting it to the GFCI protected electrical outlet.

BE CERTAIN THE POWER SUPPLY IS ONLY PLUGGED into a grounded electrical outlet equipped with an approved and properly operating ground fault circuit interrupter (GFCI).

DO NOT USE AN EXTENSION CORD. THIS COULD CREATE A SAFETY HAZARD AND/OR DAMAGE YOUR CLEANER.

DO NOT HANDLE CLEANER WHILE IT IS PLUGGED INTO THE ELECTRICAL OUTLET.

NEVER ALLOW PLUG TO ENTER THE POOL.

DO NOT OPERATE THE CLEANER OUT OF WATER. THIS WILL DAMAGE THE MOTOR SEAL AND VOID THE WARRANTY.

DO NOT DRAG THE CLEANER OUT OF THE POOL AGAINST THE SIDE WALL. THIS COULD DAMAGE UNIT AND/OR YOUR POOL WALL.

**DO NOT BURY CORD. DO NOT OPERATE CLEANER WITH DAMAGED CORD. REPLACE DAMAGED CORDS IMMEDIATELY.**

**If the supply cord is damaged it must be replaced by the manufacturer, service agent, or similarly qualified persons in order to avoid a hazard.**

To maximize the life of the cleaner, remove it from the pool when not in use and store in a shaded area.

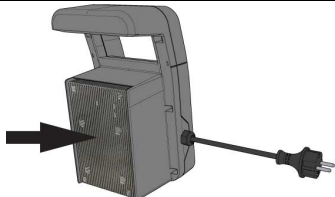
## **SAVE THESE INSTRUCTIONS**

While the cleaner has been made to operate as safely as possible, we suggest you exercise reasonable care in the handling of the cleaner and inspect the electrical cord frequently for damage or wear, as with any other electrical appliance. After use, remove the unit and rinse with fresh water and remove any twists that may be present in the cord. Store the cleaner and power supply in a shaded area.

## CONSUMER INFORMATION AND SAFETY

<b>⚠ DANGER</b>	<b>Risk of electrical shock or electrocution</b> The electrical supply to this product must be installed in accordance with all applicable local codes and ordinances (see page 23). Improper installation will create an electrical hazard which could result in death or serious injury to pool users or others due to electrical shock, and may also cause damage to property.
<b>⚠ WARNING</b>	Do not play with cleaner or cable or apply to body. Can trap or tear hair or body parts. Cable can trip or entangle swimmers, which could result in drowning.
<b>⚠ CAUTION</b>	Before installing the cleaner, understand cleaner coverage. The cleaner was not designed to automatically clean steps or to work under a solar cover. It was also not designed to do initial cleanup for a new pool installation.
<b>⚠ WARNING</b>	Always stay out of the pool while cleaner is in operation or in the pool.

## OPERATING THE CLEANER

<b>⚠ WARNING</b>	A Ground Fault Circuit Interrupter (GFCI –USA) must be installed to protect your electrical outlet and to prevent any possible electric shock. Failure to do so could create an electrical hazard which could result in death or serious injury to pool users or others due to electrical shock and may also cause damage to property.
<b>⚠ CAUTION</b>	<b>DO NOT</b> switch the pool cleaner to “ <b>ON</b> ” if it is not immersed in the water. Operating the cleaner out of the water may cause severe damage and will result in loss of warranty. Always remember to unplug the cleaner from the power supply before removing the cleaner from the pool.
<b>⚠ WARNING</b>	It is mandatory to allow a safety distance between the power supply and the pool as required by the current installation standard (11.5 feet minimum or 3.5 meters).
<b>⚠ WARNING</b>	Do not use an extension cord to connect to the power supply.
<b>⚠ CAUTION</b>	Power supply heat sink surface may be hot. 


**Keep the power supply control in shaded area.** The power supply control is equipped with an automatic shut off to prevent over heating if operated in direct sunlight.

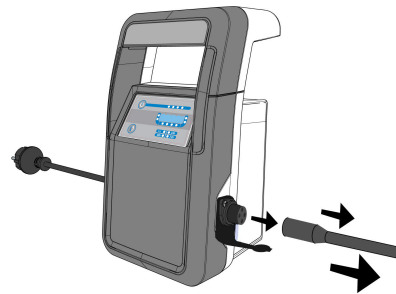


**⚠ WARNING - READ THESE IMPORTANT OPERATING TIPS BEFORE USING YOUR UNIT!**

Dear Hayward Robotic Cleaner Owner:

Thank you for choosing Hayward. In order to achieve optimal performance, please read and follow these steps:

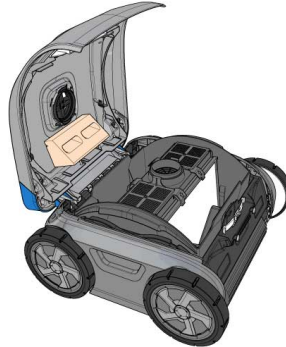
1. Always keep the power supply out of direct sunlight and in a shaded area. 
2. Cleaner filter cartridges should be thoroughly cleaned after each use or as often as needed to ensure cleaner's optimal performance. (see the Maintenance section for filter cleaning instructions)
3. Before using your cleaner and especially when opening the pool for the first time remove larger items such as toys, large leaves, or other debris from the pool that may diminish the cleaner's performance. Clean filter frequently when pool is excessively dirty.
4. For the first use, run cleaner for the full cycle (3 hours) to ensure a clean pool and give you a full understanding of the cleaner's capabilities. Subsequent cleaning may only require the quick clean cycle - 90 minutes (if so equipped).
5. In the Quick Clean Cycle the cleaner may periodically go to the wall but not necessarily climb to the vertical position. This is a normal part of the programmed cycle.
6. Cleaner may stop in the middle of the pool and reverse during cleaning cycle. This is a normal part of the programmed cycle.
7. **DO NOT** start cleaner out of the water. The unit will automatically shut off, but it is best to unplug the power cord when unit completes cleaning.



8. Only plug into a GFCI (Ground Fault Circuit Interrupter) protected 120 (+/-10%) volts AC outlet.
9. Place the cleaner power supply so that it is at a minimum distance of 11.5 feet (3.5 meters) from the pool edge. The length of the standard cleaner cable is 60 feet (18.29 meters).
10. Depending on the size and shape of your pool the entire length of the floating cable may not be necessary. The floating cable should reach from the cleaner power supply to the furthest point in the pool, plus the depth at the deep end of the pool. To reduce cable tangling any excess cable should be coiled and placed next to the power supply.

## What is in the Carton

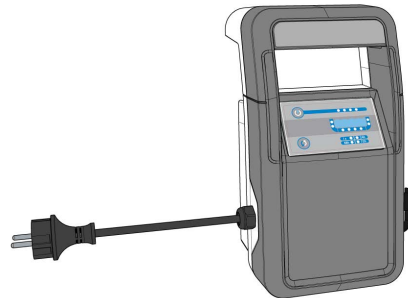
Robotic Pool Cleaner with Filter Elements



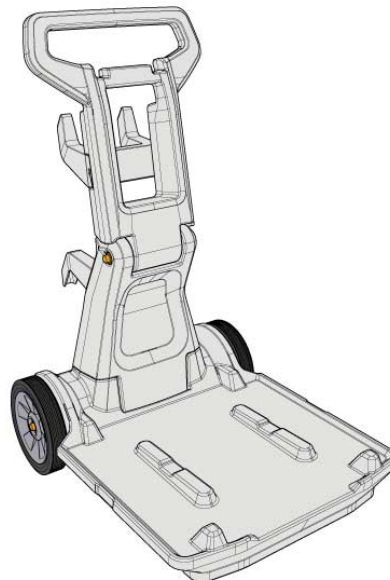
Cord with swivel



Power Supply Control (Keep in shaded area out of direct sunlight)



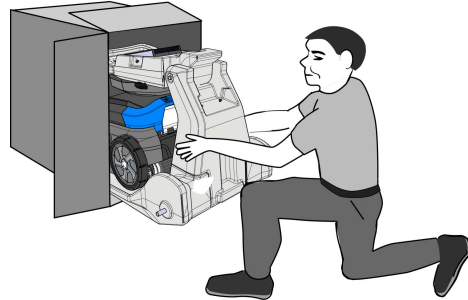
Caddy Cart (May be sold separately)



## GENERAL OPERATING INSTRUCTIONS

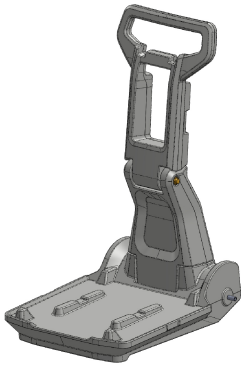
Take a moment to get familiar with the cleaner.

Remove the cleaner by placing the carton down and removing it from the box as shown. Models with a caddy cart the cleaner and the Power Supply Control should be mounted on the cart.

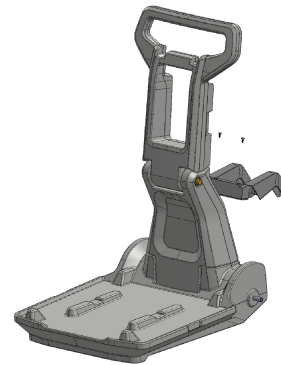


### Caddy Cart Assembly

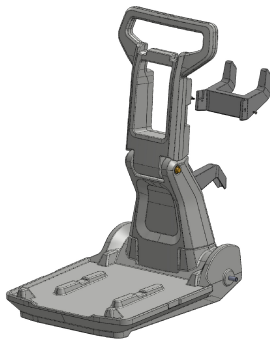
1.



2. Insert Lower Hook using 2 self-tapping screws



3. Insert Upper Hook using 2 self-tapping screws

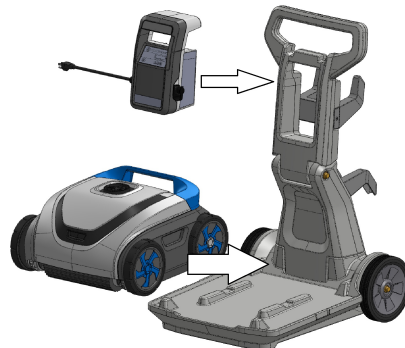


4. Remove plastic caps from axel. Lay cart on side, slide one wheel onto axel. Using a small hammer, gently tap axel cap onto axel.

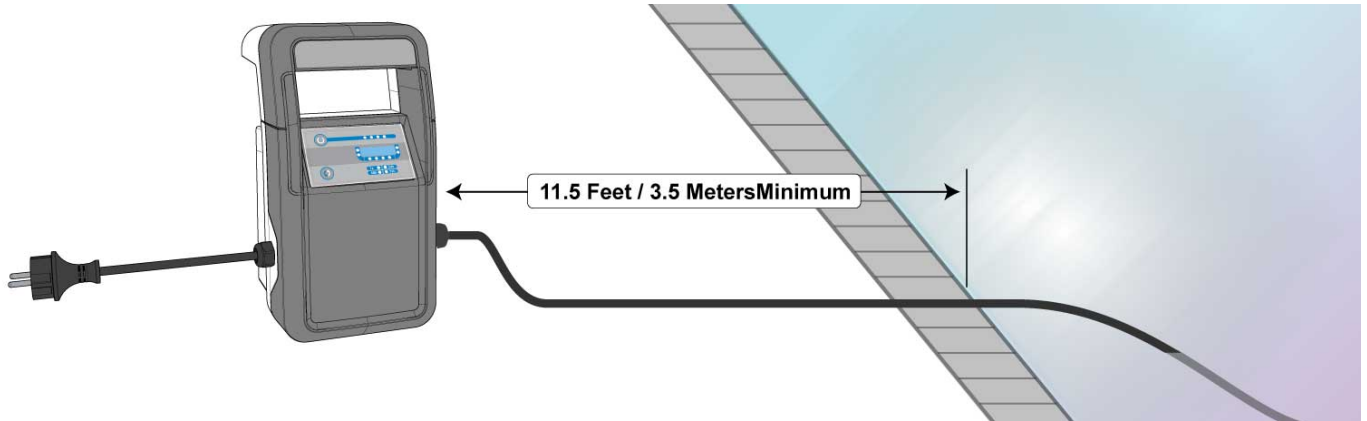
Turn cart over and install remaining wheel and cap.



5. Mount cleaner & power supply

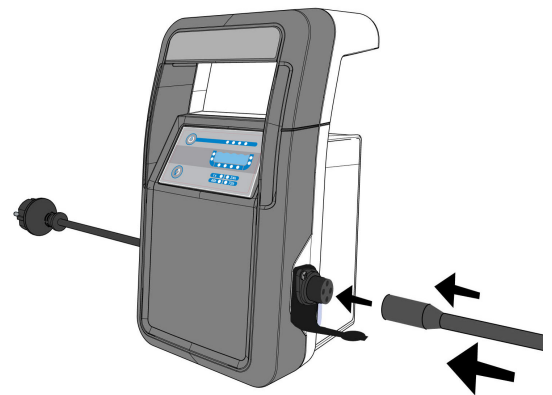
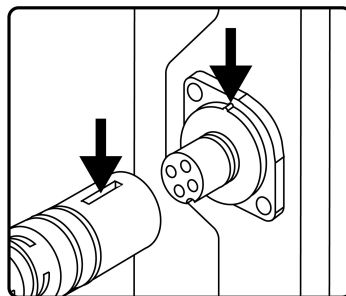


1. Select the nearest GFCI (Ground Fault Circuit Interrupter) protected 120 (+/-10%) volt AC outlet. **DO NOT PLUG THE POWER SUPPLY INTO THE POWER OUTLET YET.**
2. Place the cleaner power supply so that it is at a minimum distance of 11.5 feet (3.5 meters) from the pool edge. The length of the standard cleaner cable is 60 feet (18.29 meters).



3. Stretch out the floating cable along the pool deck in the sun to remove any twisting the cord has from storage and measure out the approximate amount of cleaner cord needed for pool coverage.

4. Connect the floating cable to the power supply. Use only the original Power Supply Control manufactured by Hayward.



5. Place the cleaner in the pool. It will slowly sink to the bottom of the pool as the air inside is released.

**⚠ Notice:** To reduce risk of injury and prevent damage to the cleaner during the start up sequence the cleaner has been equipped with an out of water sensor. Should the cleaner sense that it is not in the water it will power itself down. To reset the cycle switch off the power supply for 10 seconds and restart.

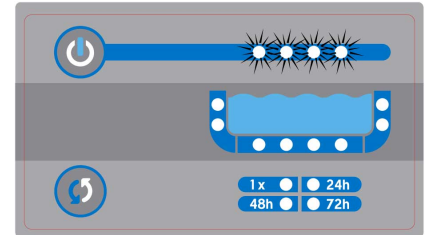




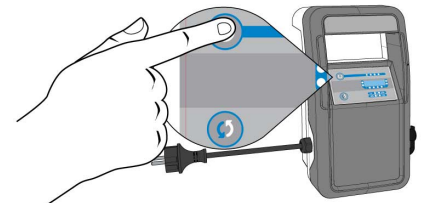
6. Plug the power supply cord into the GFCI protected electrical outlet.



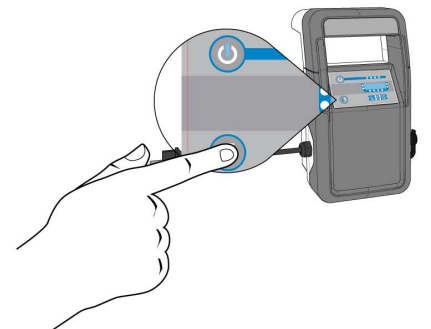
7. The power indicators should be slowly pulsing. This means that the power supply is in standby mode.



8. To turn on the power supply, press the power button. While the indicator lights are quickly pulsing select the desired cleaning schedule.



- a. Press the schedule button to select the desired schedule mode.
  - i. 1X = Single Cleaning Cycle. The cleaning cycle does not repeat
  - ii. 24h = Daily Cleaning. The robotic cleaner will turn on once every 24 hours to perform the selected cleaning cycle. There is a limit of 7 consecutive cleaning cycles in this mode.
  - iii. 48h = Every other day Cleaning. The robotic cleaner will turn on once every 48 hours to perform the selected cleaning cycle. There is a limit of 4 consecutive cleaning cycles in this mode.
  - iv. 72h = Every third day Cleaning. The robotic cleaner will turn on once every 72 hours to perform the selected cleaning cycle.



**NOTE: This schedule must be reset / selected WEEKLY.**  
This is to prevent damage to the cleaner if left unattended.

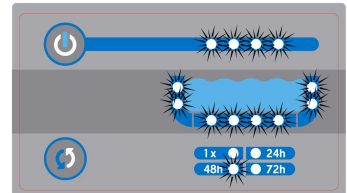
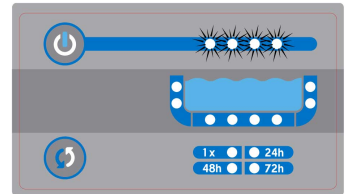
9. The robotic cleaner will automatically start the selected cleaning cycle when no buttons on the power supply have been pressed for 10 seconds. The power indicators, selected cleaning cycle mode indicators, and selected cleaning schedule indicator will light up continuously during the cleaning cycle.

Note: A cleaning cycle and schedule can be stopped by pressing the power button.

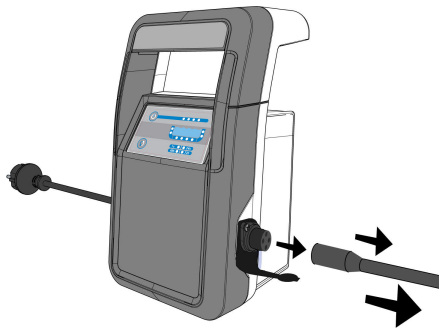
10. When the robotic cleaner has completed the cleaning cycle, the power supply will do one of the following:

- a. Enter standby mode. This happens if there are no more cleaning cycles remaining in the schedule.

- b. Enter schedule standby mode. This means that the power supply is in between cleanings for the indicated schedule. The power indicators, selected cleaning cycle and cleaning schedule indicators will slowly pulse. The robotic cleaner will automatically turn on and start the selected cleaning cycle per the selected schedule.



11. Unplug the power supply prior to removing the robotic cleaner from the pool.



### Power Failure Feature

If the power fails during a cleaning cycle or in between scheduled cleanings, the power supply will automatically start a new cleaning cycle when power is restored.

Note: A new cleaning cycle will not be started if there was less than one whole cleaning cycle remaining in the selected schedule.

**⚠ CAUTION:** The power failure feature cannot distinguish a power failure from an unplugged power supply. This may cause the cleaner to initiate a cleaning cycle automatically when the power supply is plugged in.

If the supply cord is damaged it must be replaced by the manufacturer, service agent, or similarly qualified persons in order to avoid a hazard.

All electrical connections must be done by a qualified electrician according to local electrical standard (see page 23).



## Out of Water Sensor

To better protect the cleaner from damage, it will sense when being asked to turn on when not safely in water, or leaves the water during operation.

### Out of Water Start Up

Out of water at start up means that the cleaner has been powered on before the cleaner has been placed in the water. If the cleaner senses that it is not in the water the unit will power itself down. To reset the cycle, switch off the power supply for 10 seconds and restart.

### Out of Water Operation

Out of water during operation refers to the cleaner leaving or being removed from the water while in normal operation cycle. If the cleaner senses that it is no longer in the water, the unit will attempt to re-enter the water by reversing its current direction. If the cleaner is not submerged within ninety (90) seconds of leaving the water the unit will power itself down. To reset the cycle, switch off the power supply for 10 seconds and restart.

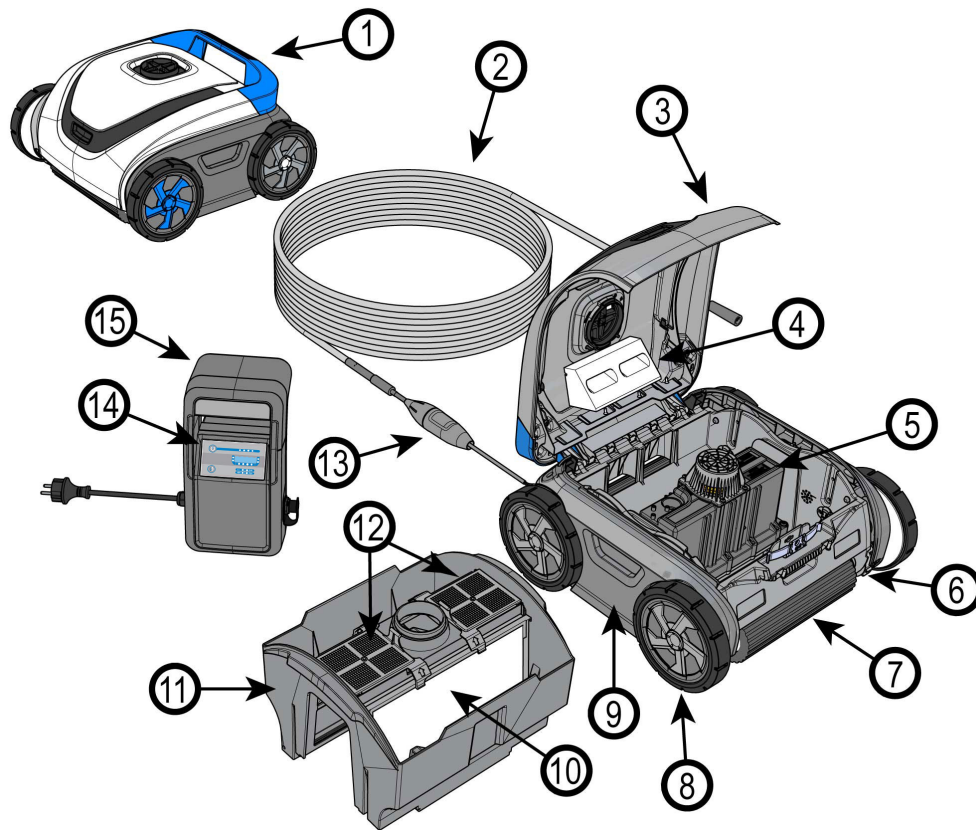
**⚠ CAUTION:** When removing cleaner from the pool do NOT reel it around your arm. The cleaner is heavy and may cause someone to lose their balance and fall into the pool. To avoid falling into the pool, gently reel the cable in hand-over-hand from the shallow end of the pool by gently pulling the cable until the cleaner reaches the surface. Then lift it out of the water using the handle, NOT the cable.

**DO NOT ENTER THE SWIMMING POOL WHEN THE CLEANER IS OPERATING OR IN THE POOL.**

Optimum operating water temperature range for the cleaner is 50°F - 100°F (10°C - 35°C).

Remove the cleaner from the pool, empty the filter bucket and clean filters after each use. Keeping the cleaner permanently in the pool may result in additional service requirements. (see maintenance section for cleaning instructions)

**Keep the Power Supply Control Out of Direct Sunlight. Store the Cleaner and Power Supply in a shaded area.**

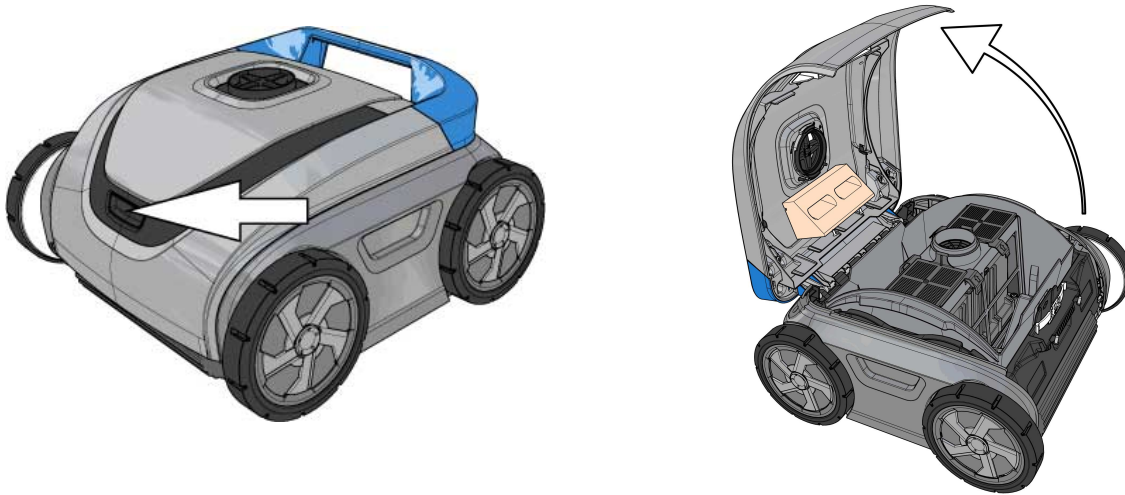


- |                         |                      |
|-------------------------|----------------------|
| 1. Handle               | 8. Wheel             |
| 2. Floating Cable       | 9. Side Panel        |
| 3. Dome Assembly        | 10. Filter Cartridge |
| 4. Float                | 11. Filter Bucket    |
| 5. Sealed Motor Unit    | 12. Filter Door      |
| 6. Drive Track          | 13. Cord Swivel      |
| 7. Wheel Brush and Tube | 14. Power Supply     |
|                         | 15. On/Off Switch    |

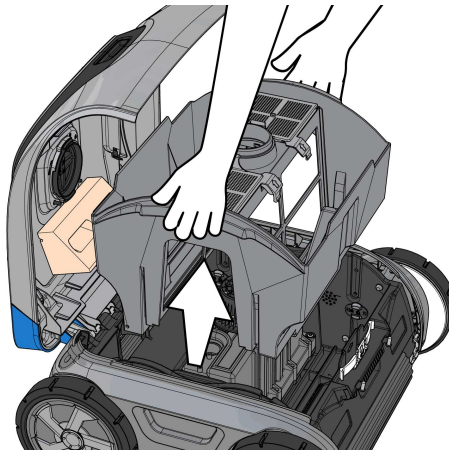
## MAINTENANCE

Clean the filter cartridge after each use:

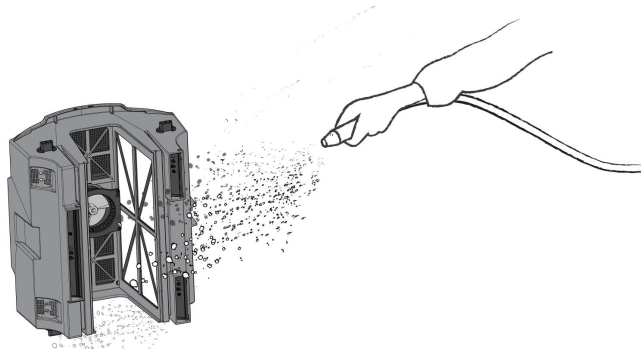
1. Open the cleaner by pressing the lid button and lifting up the dome cover.



2. Remove the easy access filter bucket assembly by lifting it up out of the cleaner with both hands from each side.

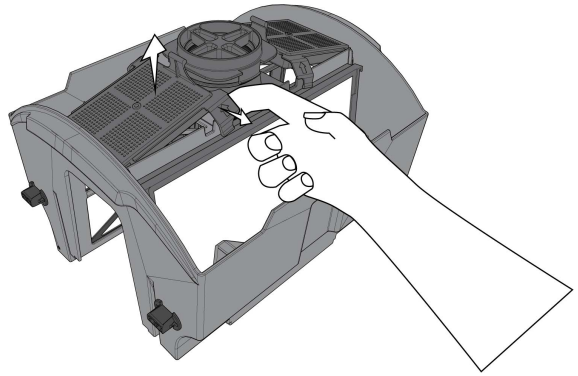


3. Flip the bucket assembly over to remove the debris and then rinse with a garden hose to remove small particles.

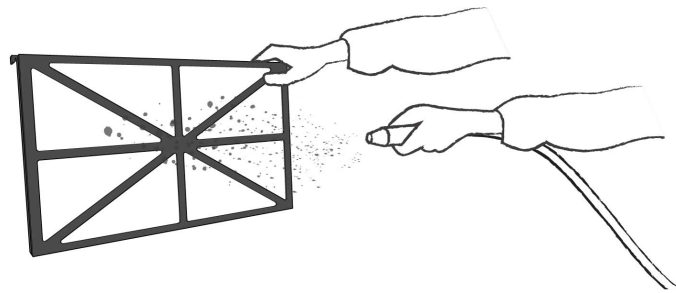
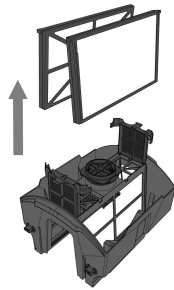


4. Filter cartridges do not need to be removed to clean.

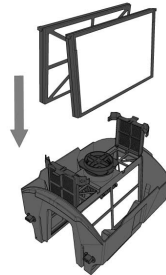
5. For deep cleaning remove the filter cartridges:
- Unsnap and lift up both filter door latches.



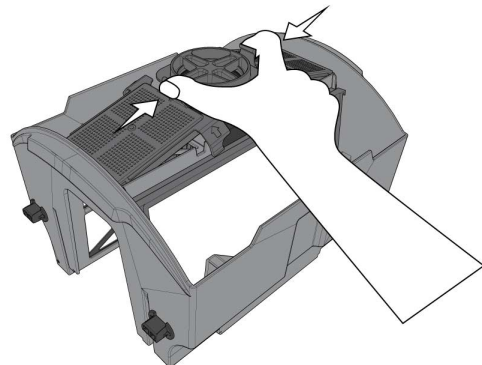
- Pull out the filter cartridges. Using a garden hose with a spray nozzle, wash the filter elements to remove debris. Hold the filter elements as shown to allow the debris to fall out. The cleaner your filter is the more effective the cleaner will be.



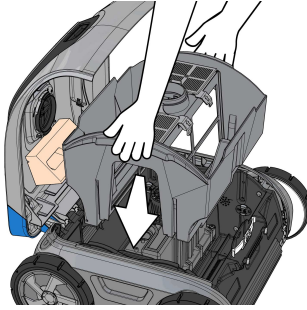
- If filter elements are clogged with oils you can purchase filter cartridge cleaner from your Hayward retail dealer
- Wash the entire filter bucket assembly.
- Place the filter cartridges back into the filter bucket assembly with the center frame reinforcements facing inward.



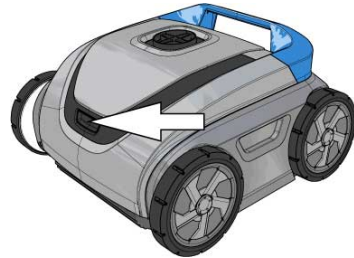
- Snap the filter door latches into place.



6. Return the filter bucket assembly into the cleaner using the diagram shown to determine the front and back.



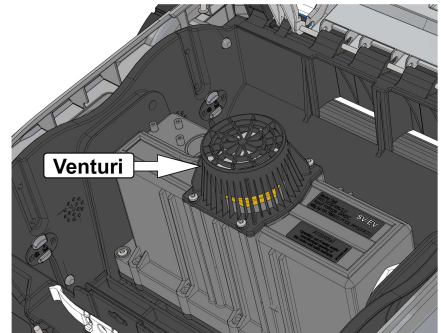
7. Close the dome and press the lid button to snap dome into place.



## Periodic Cleaning of Moving Parts

**⚠ WARNING:** Disconnect the power supply from electrical outlet before cleaning moving parts.

- Inspect the venturi to ensure that no debris or hair has clogged the impeller.



- The impeller can be cleaned by spraying it with a garden hose.
- Spray water using a garden hose around the float to remove any sand or debris.

Remove any debris that has accumulated between the tracks and wheels.

## Storage

When unit is out of the water, store the cleaner in a dry, shady location at temperatures between 40F - 115F (4°C-46°C).

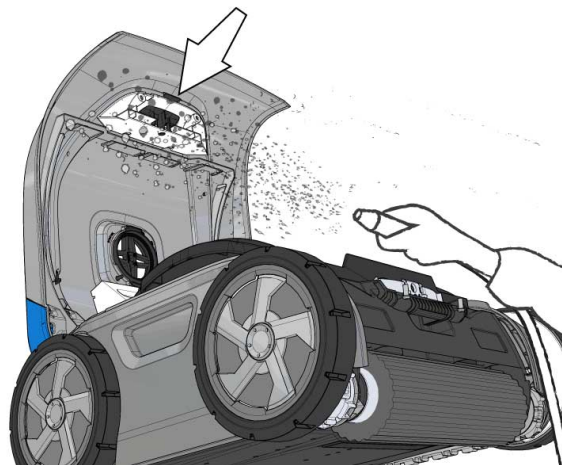
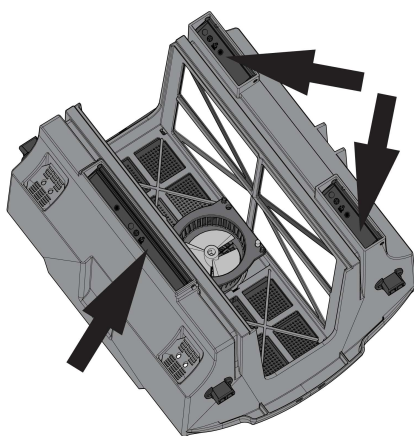
## Cable Care

With continued use, the cable may become coiled (like a telephone cord). To correct this, stretching the cord out in the sun, the sun's heat will reduce cord twisting.

**IMPORTANT:** The cable should be checked periodically for any external damage.

## IMPORTANT TIPS

- Do not drop or throw the cleaner into pool. Place cleaner away from the pool wall but do not throw the cleaner in the pool.
- Cleaning the filter cartridges after every use maximizes the unit's performance.
- Replace worn brushes or foam rollers.
- To avoid clogging the cleaner's filter elements, be sure all chemical powders are fully dissolved before operating the cleaner.
- In a pool with high calcium content, more frequent cleaning of the filter cartridges is recommended.
- Save the original carton for extended storage or shipping requirements should your cleaner require service by a Hayward Authorized Service Center.
- The sealed Motor Unit and the Power Supply contain no user-serviceable parts. Opening them will automatically VOID your warranty.
- Remove items such as thermometer, toys and the like from the pool before operating the unit. Such items can jam the cleaner and cause damage to the unit and/or your pool.
- The filter bucket is designed to be cleaned with the filters installed for normal clean up. For deep cleaning, the user can remove each filter cartridge and clean separately.
- During the normal operating cycle of the cleaner, the handle side of the unit will rise from the pool bottom to allow the unit to clear obstacles, such as elevated main drains and stair steps.
- For cleaners used in areas that have a lot of sand the cleaner may need to be rinsed with water at all flapper (filter debris container's flapper is at intake port) areas, and may need rinsing at the dome push button to allow free operation.







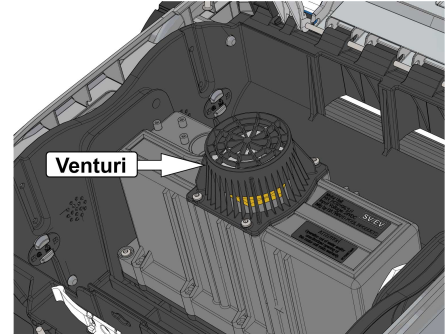
## Troubleshooting - Power Supply:

**Warning: Do not attempt to repair the power supply. There are no user serviceable parts.**

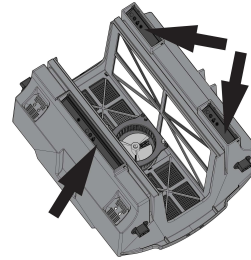
Symptom	Possible Solutions
No Power, power supply indicators do not light	<p>Make sure that the power supply is plugged into a functioning GFCI outlet. Reset GFCI if necessary. <b>Note: Repeated GFCI trips may indicate a faulty GFCI or non-repairable failure of the power supply. In such case, discontinue use of the power supply.</b></p> <p>Make sure that the service circuit breaker or fuse have not tripped.</p>
Cleaner does not operate.	<p>It may take up to 1 minute from the start of a cleaning cycle for the cleaner to begin moving. Make sure that a cleaning cycle has been initiated.</p>
All power supply indicators flash, cleaner does not operate	<p>A problem was detected with the power supply. The flash pattern identifies the type of problem.</p> <p><b>*1 flash every 3 seconds:</b> Overcurrent Detection: This may happen if debris becomes lodged in the impeller or drivetrain of the cleaner. A damaged cleaner cable is also a potential cause of this issue. This fault can be cleared by unplugging the power supply from the utility power for at least 1 minute.</p> <p><b>*2 flashes every 3 seconds:</b> Over Temperature Detection. The failure will automatically reset and a cleaning cycle will commence when the power supply cools down. Place the power supply upright with the heatsink away from a wall or surface. Keep the power supply out of direct sunlight.</p> <p><b>*3 flashes every 3 seconds:</b> Unplug the power supply from the utility power. Wait at least 1 minute to reset the fault. Make sure the cleaner cord is not plugged into the power supply. Plug the power supply power cord into the electrical outlet. Set the power supply to start a cleaning cycle. If this fault repeats, the problem is with the power supply. Otherwise, there is a problem with the cleaner or the cleaner cord.</p>

## TROUBLESHOOTING - Cleaner

- If the cleaner fails to pick up fine or heavy debris:
  - It may be clogged. Clean the filter. A filter cleaning solution can be purchased from your Hayward retail dealer to remove excessive dirt and/or sand.
- If the cleaner starts working momentarily but then stops working:
  - Impeller may be clogged or jammed with debris, check and clean if necessary following the instructions in the maintenance section.



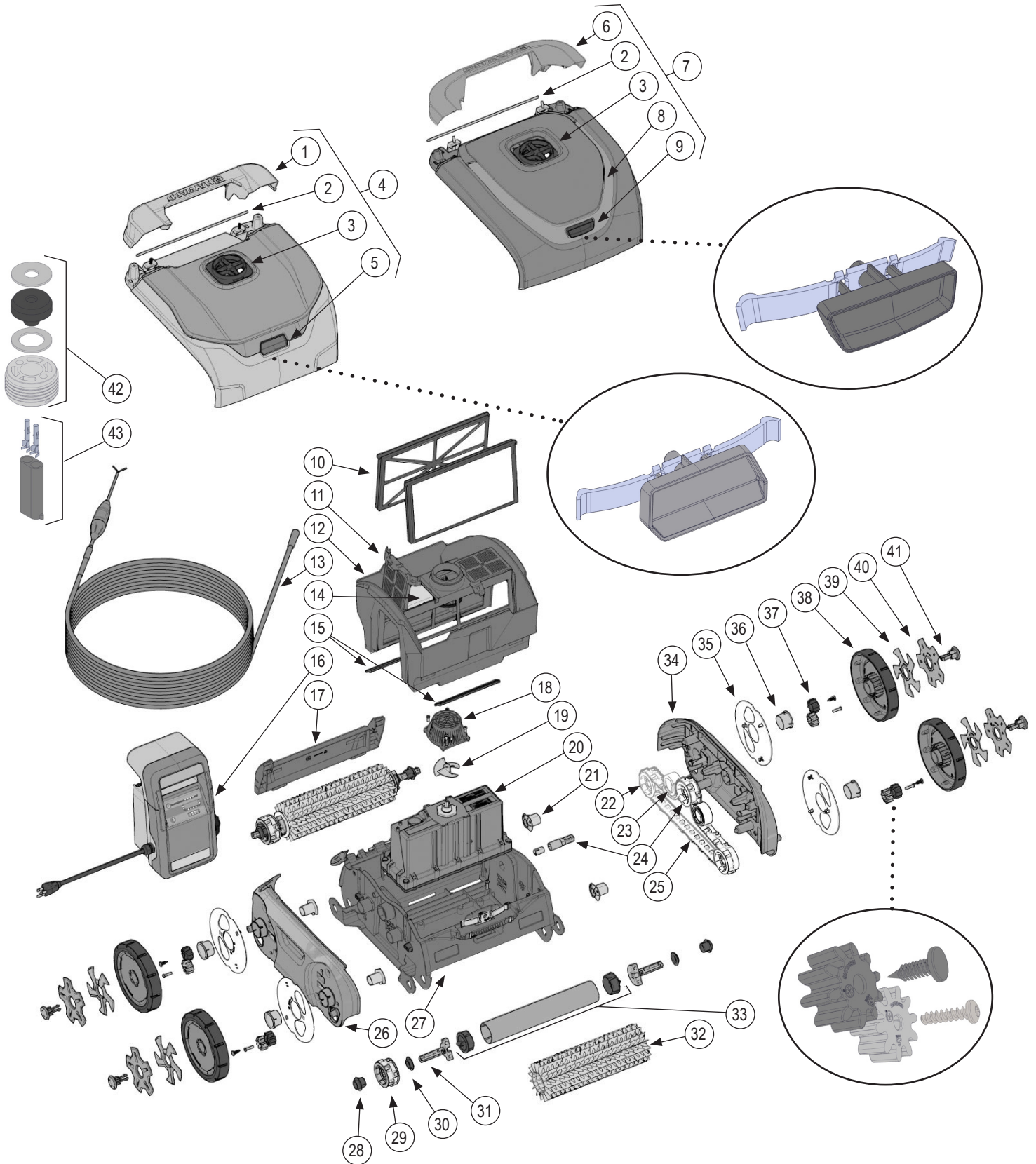
- Brush roller or drive tracks may be stuck, check for debris and clean if necessary.
- Cleaner performs by both timing and a pool wall detection sensor, whichever comes first.
- There are 3 intake ports located at bottom of filter bucket and near the brush roller, check for debris and clean if necessary.



- Cleaner may get stuck if a high main drain is installed in the pool. Cleaner may remain lodged on the drain for a short period of time, but will eventually free itself by virtue of the cleaner's embedded program.
- Cleaner performance: Confusion may exist over the perception of how the cleaner operates at different times during each cycle. It is important to judge the performance of the cleaner by observing improved pool cleanliness after the cleaner has run a complete cleaning cycle.
- If a cleaner has poor coverage of the pool in one cycle or only covers a small area, check the filter and clean if necessary and make sure the unit is not getting caught on drains, in-floor cleaning heads or toys. The user may try starting the cleaner in different locations to find the optimum cleaning location.
- If debris falls from cleaner while removing from pool, it may be caused by filter overload, increase frequency of filter cleaning. Assure that there is no large debris blocking any of the three intakes. Large debris must be removed from the pool before using machine. If drain flaps are out of place or stuck by sand or leaves in the open position, the flaps can be snapped back into place, after cleaning the area.
- If the flotation cord gets twisted which can be caused by the cleaner getting stuck on large objects such as rocks, toys or main drains, it can be straightened by laying the flotation cord at full length (if possible) in the sun; heat from the sun will help reduce the cord twisting.
- If a high level of debris is visible through the dome windows (if so equipped), remove cleaner quickly from the water to reduce the chance of the debris escaping the filter bucket and reentering the pool.



<b>Weight (w/o cable)</b>	26.75 lb (12.13 Kg)		
<b>Cable Length,</b>	60 ft (18.29 m)		
<b>Materials</b>	High Impact ABS - Metal Parts of Non-Ferrous Stainless Steel		
<b>Operating Water Temperature Range</b>	50° - 100° F		
	10° - 35° C		
<b>Waterproof Sealing</b>	Triple Redundant Radial Shaft Seals & O-ring		
<b>Motor Housing</b>	Sealed, Watertight, High Impact Polypropylene		
<b>Overload Protection</b>	Electronic Overload Monitoring with auto-shutoff		
<b>Filter</b>			
Type	Removable, Re-Usable, Pleated Element Cartridge		
Media	Pleated Cellulose/Polyester Blend		
<b>Cleaning Routine Control</b>			
Type	Adaptive Seek Control Logic (ASCL®) Microprocessor		
Cleaning Cycle	Full Cycle		
	3 hours		
<b>Drive System</b>	Direct Drive w/Polyurethane Drive Track & Acetal/Stainless Steel Bearing System		
<b>Power Supply</b>			
Input Primary Voltage	120 VAC +/- 10% 60Hz		
Output Secondary Voltage	30 VDC		
Rated Output Current	3.5 A		
Weight	9.75 lbs (4.42 Kg)		
<b>Shipping</b>	Length	Width	Height
Carton Dimensions (mm) w/Caddy	24 in (620 mm)	17 in (440 mm)	30 in (752 mm)
Carton Dimensions x-Caddy	21 in (492 mm)	21 in (492 mm)	26 in (657 mm)
Shipping Weight with Caddy	52 lb (23.6 Kg)		
Shipping Weight x-Caddy	40 lb. (18.4 Kg)		





Part Number	Description	Part Number	Description	Part Number	Description
1A	RCX341203OR	Handle Assembly - Orange	11	RCX97417	Filter Door
1B	RCX341203GR4	Handle Assembly - Gray 4	12	RCX97415	Filter Housing Bucket
2	RCX97429	Hood Hinge Axle	13	RCX341190	60' Cord Assembly With Swivel
3A	RCX341126GR2	Hood Exhaust Nozzle - Gray 2	14	RCX97417SPAK2	Door Filter Element (set of 2)
3B	RCX341126GR3	Hood Exhaust Nozzle - Gray 3	15	RCX974057KIT	Drain Flap Kit
3C	RCX341126GR4	Hood Exhaust Nozzle - Gray 4	16	RCX341161	Power Supply 120VAC
3D	RCX341126BK	Hood Exhaust Nozzle - Black	17A	RCX341103GR2	Rear Panel - Gray 2
4A	RCX341201GR2	Hood Assembly - Gray 2	17B	RCX341103GRN	Rear Panel - Green
4B	RCX341201WH	Hood Assembly - White	17C	RCX341103BK	Rear Panel - Black
5A	RCX341205GR4	Button Assembly - Gray 4	17D	RCX341103GR3	Rear Panel - Gray 3
5B	RCX341205TR	Button Assembly - Turquoise	17E	RCX341103GR4	Rear Panel - Gray 4
6A	RCX341107WH	Handle Assembly - White	17F	RCX341103TR	Rear Panel - Turquoise
6B	RCX341107BL	Handle Assembly - Blue	18	RCX97455	Impeller Cover Kit
6C	RCX341107GR3	Handle Assembly - Cool Gray 3	19	RCX11000	Impeller
6D	RCX341107OR	Handle Assembly - Orange	20	RCX341195	Motor Assembly
7A	RCX341105WHRD	Hood Assembly - White/Red	21	RCX341111PAK2	Wheel Hub Kit (set of 2)
7B	RCX341105WHGR2	Hood Assembly - White/Gray2	22	RCX97505PAK2	Drive Track Wheel Kit (set of 2)
7C	RCX341105WHGR3	Hood Assembly - White/Gray3	23	RCX26000PAK2	Pulley Bearing Kit (set of 2)
7D	RCX341105GR1	Hood Assembly - Gray1	24	RCX97502KIT	Drive Shaft & Bearing Kit
7E	RCX341105GR2	Hood Assembly - Gray2	25	RCX97501GR	Drive Track Belt
7F	RCX341105WHBK	Hood Assembly - White/Black	26A	RCX341101GR2	Left Side Cover - Gray 2
8A	RCX341106RD	Hood Trim - Red	26B	RCX341101GRN	Left Side Cover - Green
8B	RCX341106GR2	Hood Trim - Gray 2	26C	RCX341101BK	Left Side Cover - Black
8C	RCX341106GR3	Hood Trim - Gray 3	26D	RCX341101GR3	Left Side Cover - Gray 3
8D	RCX341106BK	Hood Trim - Black	26E	RCX341101GR4	Left Side Cover - Gray 4
8E	RCX341106GR4	Hood Trim - Gray 4	26F	RCX341101TR	Left Side Cover - Turquoise
9A	RCX341108RD	Button Assembly - Red	27	RCX341142	Cleaner Base
9B	RCX341108GRN	Button Assembly - Green	28	RCX97506PAK2	Roller Bushing Kit (set of 2)
9C	RCX341108BL	Button Assembly - Blue	29	RCX97509PAK2	Drive Wheel Kit (set of 2)
9D	RCX341108GR3	Button Assembly - Gray 3	30	RCX97435PAK2	Roller Shaft Bushing Kit (set of 2)
9E	RCX341108GR4	Button Assembly - Gray 4	31	RCX97507PAK2	Roller Wheel Shaft (set of 2)
9F	RCX341108TR	Button Assembly - Turquoise	32A	RCX26008	Roller Brush
10A	RCX70101PAK2	Filter Cartridges (set of 2)	32B	RCX26011WCE	Foam Roller Assembly
10B	RCX70103PAK2	Spring Cleanup Cartridges (set of 2)	33	RCX97510	Wheel Tube With Caps
34A	RCX341102GR2	Right Side Cover - Gray 2	34B	RCX341102GRN	Right Side Cover - Green
34C	RCX341102BK	Right Side Cover - Black	34D	RCX341102GR3	Right Side Cover - Gray 3
34E	RCX341102GR4	Right Side Cover - Gray 4	34F	RCX341102TR	Right Side Cover - Turquoise
35A	RCX341127GR2	Wheel Shield - Gray 2	35B	RCX341127GRN	Wheel Shield - Green
35C	RCX341127BK	Wheel Shield - Black	35D	RCX341127GR3	Wheel Shield - Gray 3
35E	RCX341127GR4	Wheel Shield - Gray 4	35F	RCX341127TR	Wheel Shield - Turquoise
36	RCX341109PAK2	Wheel Bushing Kit (set of 2)	37	RCX341145KIT	Wheel Drive Gear Kit
38A	RCX341110WHGR3	Wheel Rim & Tire - White/Gray3	38B	RCX341110BKBL	Wheel Rim & Tire - Black/Blue
38C	RCX341110WHBK	Wheel Rim & Tire - White/Black	38D	RCX341110GR4BK	Wheel Rim & Tire - Gray 4/Black
39A	RCX341123RD	Boots Wheel Style - Red	39B	RCX341123OR	Boots Wheel Style - Orange
39C	RCX341123GR1	Boots Wheel Style - Gray 1	39D	RCX341123GR3	Boots Wheel Style - Gray 3
39E	RCX341123GR4	Boots Wheel Style - Gray 4	40A	RCX341206GR4	Starfish Wheel Style - Gray 4
40B	RCX341206OR	Starfish Wheel Style - Orange	41A	RCX341112RD	Wheel Axle Plug - Red
41B	RCX341112WH	Wheel Axle Plug - White	41C	RCX341112GR1	Wheel Axle Plug - Gray 1
41D	RCX341112GR3	Wheel Axle Plug - Gray 3	41E	RCX341112OR	Wheel Axle Plug - Orange
41F	RCX341112GR4	Wheel Axle Plug - Gray 4	42	RCX59004KIT	Motor Cord Seal Kit
43	RCX59002KIT	Motor Cord Connector Kit			



Gray Color Options

**HAYWARD only warranties the quality, performance and safety of its products when assembled with genuine Hayward manufactured parts. Use of non-genuine Hayward manufactured parts will void all warranty.**



## Hayward® Pool Products Limited Warranty

To original purchasers of this equipment, Hayward Pool Products, Inc. warrants its cleaners to be free from defects in materials and workmanship for a period of ONE (1) year from the date of purchase, when used in single family residential applications. Wear parts are not covered by the warranty.

The limited warranty excludes damage from freezing, negligence, improper installation, improper use or care or any Acts of God. Parts that fail or become defective during the warranty period shall be repaired or replaced, at our option, within 90 days of the receipt of defective product, barring unforeseen delays, without charge.

Proof of purchase is required for warranty service. In the event proof of purchase is not available, the manufacturing date of the product will be the sole determination of the purchase date.

To obtain warranty service, please contact the place of purchase or the nearest Hayward Authorized Service Center. For assistance on contact your nearest Hayward Authorized Service Center [www.hayward.com/locator/?hasc](http://www.hayward.com/locator/?hasc)

The Hayward Pool products warranty does not apply to components manufactured by others. For such products, the warranty established by the respective manufacturer will apply.

Hayward shall not be responsible for cartage, removal, repair or installation labor or any other such costs incurred in obtaining warranty replacements or repair.

The express limited warranty above constitutes the entire warranty of Hayward Pool Products with respect to its' pool products and is in lieu of all other warranties expressed or implied, including warranties of merchantability or fitness for a particular purpose. In no event shall Hayward

Pool products be responsible for any consequential, special or incidental damages of any nature.

Some states do not allow a limitation on how long an implied warranty lasts, or the exclusion of incidental or consequential damages, so the above limitation may not apply to you. This warranty gives you specific legal rights, and you may also have other rights, which vary from state to state.

Hayward Pool Products  
620 Division Street  
Elizabeth, NJ 07207

\* Supersedes all previous publications.

## EXCEPTIONS AND EXCLUSIONS FROM WARRANTY

The cleaner must be used with electrical requirements as indicated on the Power Supply. Otherwise damage, defects, malfunctions or other failures of the cleaner arising from use on electrical supply not as indicated are excepted and excluded from this warranty.

Defects, malfunctions, failure or damage of the cleaner caused by improper, unreasonable, or negligent use or abuse by the consumer, are excluded from this warranty.

If any repair is made on your cleaner by anyone other than authorized personnel (designated to perform such work) without first having obtained factory instructions, HAYWARD, at its sole option, may determine that this warranty will not apply and that reimbursement for such repair will not be made because of failure to comply with such factory specified instructions.

Filter cartridges are not covered by this warranty and will be replaced only with your prior approval of the charges.

## ELECTRIC STANDARD/COUNTRY

F	NF EN C 15-100	GB	BS7671:1992
D	DIN VDE 0100-702	EW	EVHS-HD 384-7-702
A	ÖVE 8001-4-702	H	MSZ 2364-702:1994 / MSZ 10-533 1/1990
E	UNE 20460-7-702 1993, REBT ITC-BT-31 2002	M	MSA HD 384-7-702.S2
IRL	Wiring Rules + IS HD 384-7-702	PL	PN-IEC 60364-7-702:1999
I	CEI 64-8/7	CZ	CSN 33 2000 7-702
LUX	384-7.702 S2	SK	STN 33 2000-7-702
NL	NEN 1010-7-702	SLO	SIST HD 384-7-702.S2
P	RSIUEE	TR	TS IEC 60364-7-702



# AquaVac® 500 Series

## Manual del propietario



### **GUARDAR ESTE MANUAL DEL PROPIETARIO**

### **IMPORTANTES INSTRUCCIONES DE SEGURIDAD**

Se debe cumplir siempre con las precauciones básicas de seguridad, incluida la siguiente: si no se siguen las instrucciones, esto puede ocasionar lesiones graves o la muerte.

**⚠** Este es símbolo de alerta de seguridad. Cuando vea este símbolo en su equipo o en este manual, busque una de las siguientes palabras clave y esté alerta a potenciales lesiones personales.


**⚠ ADVERTENCIA:** advierte sobre peligros que **podrían** causar lesiones personales graves, la muerte o importantes daños a la propiedad. Ignorarla supone un potencial peligro.


**⚠ PRECAUCIÓN:** advierte sobre peligros que **provocarán** o **pueden provocar** lesiones personales o daños a la propiedad menores o moderados. Ignorarla supone un potencial peligro. También puede concientizar a los consumidores acerca de acciones que son imprevisibles e inseguras.


Productos para piscinas de Hayward  
620 Division Street, Elizabeth, NJ 07207  
Teléfono: (908) 351.5400  
[www.hayward.com](http://www.hayward.com)







 **ADVERTENCIA:** LEA Y SIGA TODAS LAS INSTRUCCIONES que se brindan en este manual del propietario y en el equipo. Si no se siguen instrucciones, esto puede ocasionar lesiones graves o la muerte.


 **ADVERTENCIA:** Asegúrese de que los niños no intenten ingresar a la piscina cuando el limpiador esté funcionando. Supervise de cerca a los niños en todo momento.


 **ADVERTENCIA:** Peligro de atrapamiento por succión.

La succión en las bocas de salida o las cubiertas de las bocas de salida de succión que estén dañadas, rotas, agrietadas, desaparecidas o no aseguradas pueden causar lesiones graves o la muerte debido a los siguientes peligros de atrapamiento:


 **Atrapamiento de pelo:** El pelo se puede enredar en la cubierta de la boca de salida de succión.


 **Atrapamiento de las extremidades:** Si se inserta una extremidad en la apertura de una boca de salida de succión que esté dañada, rota, agrietada, desaparecida o no asegurada debidamente puede ocasionar bloqueo mecánico o inflamación de la extremidad.

 **Atrapamiento del cuerpo por succión:** Si se aplica presión negativa a una gran parte del cuerpo o las extremidades, esto puede ocasionar su atrapamiento.


 **Evisceración o destripamiento:** Si se aplica presión negativa directamente en los intestinos mediante el cárter de una boca de salida de succión desprotegido o una cubierta de una boca de salida de succión que esté dañada, rota, agrietada, desaparecida o no asegurada, esto puede ocasionar evisceración o destripamiento.


**Atrapamiento mecánico:** Existen probabilidades de que las joyas, los trajes de baño, los accesorios para el cabello, los dedos de la mano, los dedos del pie o los nudillos queden atrapados en una cubierta de la boca de salida de succión y que esto dé lugar a un atrapamiento mecánico.


 **ADVERTENCIA: Riesgo de descarga eléctrica.** Todos los cables eléctricos DEBEN cumplir con los códigos locales aplicables, los reglamentos y el Código Eléctrico Nacional (National Electric Code, NEC). Un voltaje peligroso puede provocar descargas, quemaduras, la muerte y graves daños a la propiedad. Para reducir el riesgo de descargas eléctricas, NO use un cable de extensión para conectar la unidad a una fuente de alimentación. Proporcionar un receptáculo eléctrico bien ubicado. Antes de trabajar en cualquier equipo eléctrico, desconecte la fuente de alimentación del equipo.

 **ADVERTENCIA:** Para reducir el riesgo de descargas eléctricas, reemplace el cable dañado inmediatamente. No entierre el cable. Localice el conducto para evitar los cortes de cortadoras de césped, recortadoras de setos y otros equipos.

 **ADVERTENCIA:** NO conecte a tierra en una tubería de suministro de gas.

 **ADVERTENCIA:** Para evitar descargas eléctricas peligrosas o fatales, DESCONECTE todos los equipos eléctricos antes de realizar conexiones eléctricas.

 **ADVERTENCIA:** Riesgo de descarga eléctrica. Conecte sólo a un circuito derivado protegido por un interruptor de circuito de falla a tierra (ground-fault circuit-interrupter, GFCI). Comuníquese con un electricista calificado si no puede verificar que el circuito esté protegido por un GFCI.

 **ADVERTENCIA:** Riesgo de descarga eléctrica. El equipo eléctrico solo debe estar conectado a un circuito del suministro que esté protegido por un interruptor de circuito de falla a tierra (GFCI). El GFCI debe probarse de manera periódica. Para probar el GFCI, presione el botón de prueba. El GFCI debe interrumpir el suministro eléctrico.

El suministro eléctrico debe restablecerse. Si el GFCI no funciona de esta manera, tiene algún defecto. Si el GFCI interrumpe el suministro eléctrico al equipo eléctrico sin presionar el botón de prueba, fluye una corriente a tierra, lo que indica la posibilidad de que ocurra una descarga eléctrica. No utilice este equipo eléctrico. Desconecte el equipo eléctrico y solicite un representante de servicios de mantenimiento calificado para que solucione el problema antes de volver a utilizarlo.



**⚠ ADVERTENCIA: PARA REDUCIR EL RIESGO DE LESIONES, NO PERMITA QUE LOS NIÑOS UTILICEN ESTE PRODUCTO.**

ANTES DE ENTRAR EN LA PISCINA, RETIRE SIEMPRE POR COMPLETO EL LIMPIADOR DE LA PISCINA.

COLOQUE SIEMPRE EL LIMPIADOR EN EL AGUA ANTES DE conectarlo al tomacorriente protegido del GFCI.

ASEGÚRESE DE QUE EL EQUIPO ELÉCTRICO SOLO ESTÉ CONECTADO a un tomacorriente a tierra equipado con un interruptor de circuito de falla a tierra (GFCI) que esté aprobado y funcione correctamente.

NO USE UN CABLE DE EXTENSIÓN. ESTO PODRÍA CREAR UN RIESGO DE SEGURIDAD O DAÑAR SU LIMPIADOR.

NO MANIPULE EL LIMPIADOR MIENTRAS SE ENCUENTRE CONECTADO AL TOMACORRIENTE. NUNCA PERMITA QUE EL TAPÓN INGRESE A LA PISCINA.

NO UTILICE EL LIMPIADOR FUERA DEL AGUA. ESTO DAÑARÁ EL SELLO DEL MOTOR Y ANULARÁ LA GARANTÍA.

NO ARRASTRE EL LIMPIADOR FUERA DE LA PISCINA APOYÁNDOLO CONTRA LA PARED LATERAL. ESTO PODRÍA DAÑAR LA UNIDAD O LA PARED DE LA PISCINA.

**NO ENTIERRE EL CABLE. NO OPERE EL LIMPIADOR CON UN CABLE DAÑADO. REEMPLACE INMEDIATAMENTE LOS CABLES DAÑADOS.**





Si el cable de suministro está dañado, debe ser sustituido por el fabricante, un agente de servicio de mantenimiento o por personas similarmente calificadas a fin de evitar riesgos.

Para maximizar la vida del limpiador, extráigalo de la piscina cuando no esté en uso y almacénelo en un área cubierta .






## **GUARDE ESTAS INSTRUCCIONES**

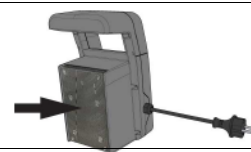
A pesar de que el limpiador se ha fabricado para que funcione de la manera más segura posible, le sugerimos que tenga cuidado al manipular el vacío e inspeccione el cable eléctrico con frecuencia para verificar si hay daños o desgaste, al igual que con cualquier otro artefacto eléctrico. Después de usarlo, retire la unidad y enjuáguela con agua fresca y elimine las torceduras que puede haber en el cable. Almacene el limpiador y la fuente de alimentación en un área cubierta.

## INFORMACIÓN PARA EL CONSUMIDOR Y SEGURIDAD

 <b>PELIGRO</b>	<p>Riesgo de descargas eléctricas o electrocución.</p> <p>El suministro eléctrico de este producto debe instalarse de acuerdo con todos los códigos y ordenanzas locales aplicables (consulte página 23). Una instalación inadecuada creará un riesgo de descarga eléctrica que podría ocasionar lesiones graves o la muerte de usuarios de la pileta u otros debido a descargas eléctricas, y también puede causar daños a la propiedad.</p>
 <b>ADVERTENCIA</b>	<p>No juegue con el limpiador o los cables ni aplique al cuerpo. Puede enganchar o arrancar el cabello o partes del cuerpo. El cable puede hacer que los nadadores tropiecen o se enreden y se ahoguen.</p>
 <b>PRECAUCIÓN</b>	<p>Antes de instalar el limpiador, debe comprender cómo funciona la cubierta del limpiador. El limpiador no está diseñado para limpiar automáticamente los pasos o para funcionar debajo de una cubierta solar. Tampoco está diseñado para realizar la limpieza inicial para la instalación de</p>
 <b>ADVERTENCIA</b>	<p>Permanezca siempre fuera de la piscina mientras el limpiador esté en funcionamiento o en la piscina.</p>

## FUNCIONAMIENTO DEL LIMPIADOR

 <b>ADVERTENCIA</b>	<p>Un interruptor de circuito de falla a tierra (GFCI, EE. UU.) debe estar correctamente instalado para proteger el tomacorriente y evitar cualquier posible descarga eléctrica. Caso contrario, podría crearse un riesgo de descarga eléctrica que podría ocasionar lesiones graves o la muerte de usuarios de la pileta u otros debido a descargas eléctricas, y también puede causar daños a la propiedad.</p>
 <b>PRECAUCIÓN</b>	<p>NO coloque el interruptor del limpiador de piscinas en la posición "ON" si este no se encuentra inmerso en el agua. Operar el limpiador fuera del agua puede ocasionar graves daños y ocasionará la pérdida de la garantía. Recuerde siempre desconectar el limpiador de la fuente de alimentación antes de retirar el limpiador de la piscina.</p>
 <b>ADVERTENCIA</b>	<p>Debe existir una distancia de seguridad entre la fuente de alimentación y la piscina, tal como lo exige el estándar de instalación actual (como mínimo, 11,5 pies o 3,5 metros).</p>
 <b>ADVERTENCIA</b>	<p>No use un cable de extensión para conectar a la fuente de alimentación.</p>
 <b>PRECAUCIÓN</b>	<p>La superficie del disipador térmico de la fuente de alimentación puede estar caliente.</p>



**Mantenga el control de la fuente de alimentación en un área cubierta.** El control de la fuente de alimentación dispone de un apagado automático para evitar el sobrecalentamiento si funciona bajo la luz directa del sol.



**⚠ ADVERTENCIA: LEER ESTOS IMPORTANTES CONSEJOS PARA LA OPERACIÓN DE LA UNIDAD ANTES DE UTILIZARLA.**

Estimado propietario del limpiador robótico de Hayward:

Gracias por elegir Hayward. A fin de alcanzar un óptimo rendimiento, lea y siga los siguientes pasos:

1. Siempre mantenga la fuente de alimentación en un área cubierta, fuera de la luz directa del sol.
2. Los cartuchos del limpiador deben limpiarse cuidadosamente después de cada uso o con la frecuencia necesaria para garantizar el óptimo rendimiento del limpiador (consulte la sección Mantenimiento para leer las instrucciones de limpieza del filtro).
3. Antes de utilizar el limpiador, y especialmente cuando abra la piscina por primera vez, extraiga de la piscina aquellos artículos de mayor tamaño, como juguetes, hojas grandes u otro tipo de escombros que puedan reducir el rendimiento del limpiador. Limpie el filtro con frecuencia si la piscina se encuentra demasiado sucia.
4. Para el primer uso, haga funcionar el limpiador durante un ciclo completo (3 horas) para asegurarse de que la piscina esté limpia y le permita comprender totalmente cuáles son las capacidades del limpiador. Las limpiezas posteriores posiblemente sólo requieran de un ciclo de limpieza rápido de 90 minutos (en caso de disponer de este).
5. En el ciclo de limpieza rápida, es probable que el limpiador vaya periódicamente hacia la pared pero esto no significa necesariamente que se ubique en la posición vertical. Esta es una parte normal del ciclo programado.
6. El limpiador puede detenerse en el medio de la piscina y retroceder durante el ciclo de limpieza. Esta es una parte normal del ciclo programado.
7. **NO** encienda el limpiador cuando se encuentre fuera del agua. La unidad se apagará automáticamente, pero es mejor desconectar el cable de alimentación cuando la unidad finaliza con la limpieza.



8. Sólo se debe conectar a un tomacorriente de CA de 120 V (+/-10 %) protegido por el GFCI (Ground Fault Circuit Interrupter: interruptor de circuito de falla a tierra).
9. Coloque la fuente de alimentación del limpiador a una distancia mínima de 11,5 pies (3,5 metros) del borde de la piscina. La longitud estándar del cable del limpiador es de 60 pies (18,29 metros).
10. Según el tamaño y la forma de la piscina, es posible que no sea necesario utilizar el cable flotante en toda su longitud. El cable flotante debería llegar desde la fuente de alimentación del limpiador hasta el punto más lejano de la piscina, además de llegar hasta el extremo más profundo de la piscina. Para evitar que el exceso de cable se enrede tanto, este debería estar enrollado y ubicado cerca de la fuente de alimentación.

## Qué hay en el paquete

Limpiador robótico de piscinas con elementos de filtro



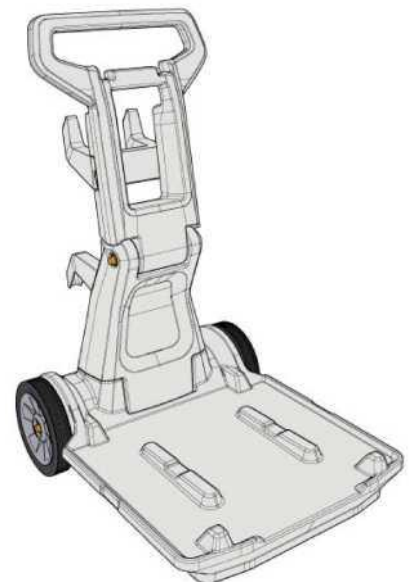
Cable con muñón



Control de la fuente de alimentación (mantener en un área cubierta, fuera de la luz directa del sol)



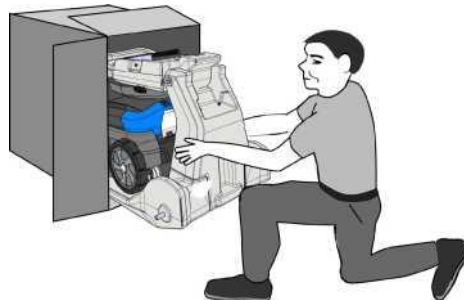
Carro Caddy (puede venderse por separado)



## INSTRUCCIONES GENERALES DE FUNCIONAMIENTO

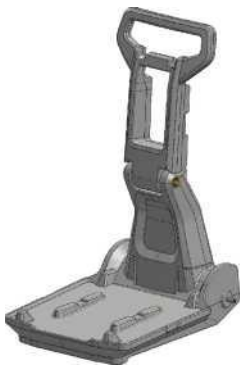
Tómese un momento para familiarizarse con el limpiador.

Extraiga el limpiador colocando el paquete en el suelo y retirándolo de la caja tal como se muestra. Si los modelos incluyen un carro Caddy, el limpiador y la fuente de alimentación deben montarse en el carro.



### Ensamblaje del carro Caddy

1.



2. Inserte el gancho inferior utilizando 2 tornillos autorroscantes.



3. Inserte el gancho superior utilizando 2 tornillos autorroscantes.



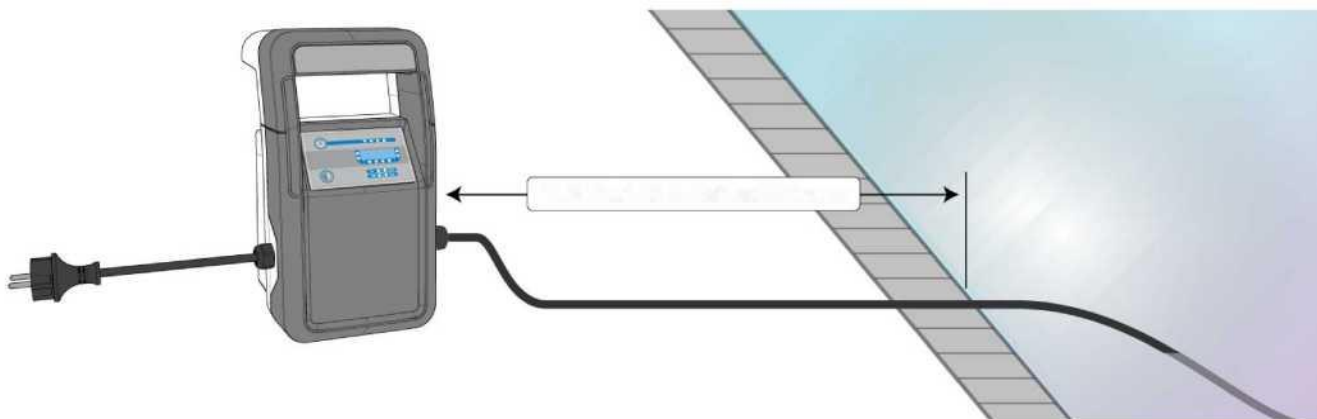
4. Extraiga las tapas de plástico del eje. Apoye el carro en uno de sus lados y deslice una rueda sobre el eje. Con un pequeño martillo, golpee suavemente la tapa del eje sobre el eje. Gire el carro e instale las ruedas y las tapas restantes.



5. Monte el limpiador y la fuente de alimentación.

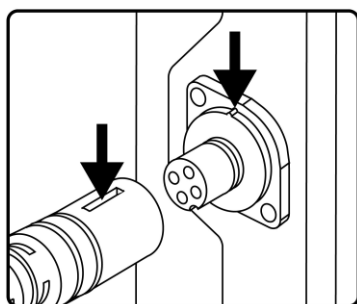


1. Seleccione el tomacorriente de CA de 120 (+/-10 %) V del GFCI más cercano. TODAVÍA NO CONECTE LA FUENTE DE ALIMENTACIÓN EN EL TOMACORRIENTE.
2. Coloque la fuente de alimentación del limpiador a una distancia mínima de 11,5 pies (3,5 metros) del borde de la piscina. La longitud estándar del cable del limpiador es de 60 pies (18,29 metros).



3. Estire el cable flotante a lo largo de la piscina al sol para eliminar el enrollamiento que presenta el cable a causa del almacenamiento y mida la cantidad aproximada de cable del limpiador necesaria para cubrir la piscina.

4. Conecte el cable flotante a la fuente de alimentación. Utilice únicamente el control de la fuente de alimentación fabricado por Hayward.



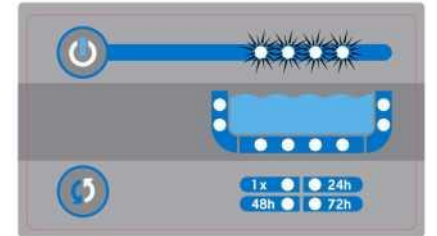
5. Coloque el limpiador en la piscina. Se hundirá lentamente hasta llegar al fondo de la piscina a medida que se libere el aire que está en el interior.

**⚠ Aviso:** Para reducir el riesgo de lesiones y evitar daños en el limpiador, la secuencia de arranque del limpiador está equipada con un sensor para fuera del agua. Si el limpiador detecta que no se encuentra en el agua, se apagará solo. Para restablecer el ciclo, apague la fuente de alimentación durante 10 segundos y reiniciela.

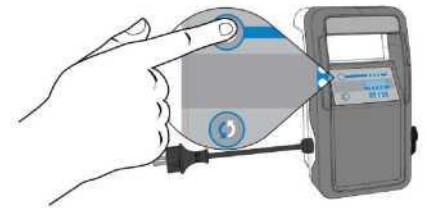
6. Conecte el cable de la fuente de alimentación en el tomacorriente protegido por el GFCI.



7. Los indicadores de encendido deberían parpadear lentamente. Esto significa que la fuente de alimentación se encuentra en el modo de espera.

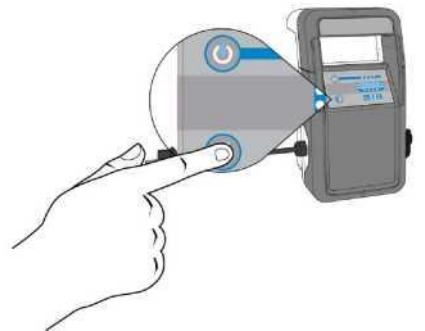


8. Para encender la fuente de alimentación, presione el botón de encendido. Mientras las luces del indicador parpadean rápidamente, seleccione el programa de limpieza deseado.



a. Presione el botón de programa para seleccionar el modo de programa deseado.

- i. 1X = Ciclo de limpieza único. El ciclo de limpieza no se repite.
- ii. 24 h = Limpieza diaria. El limpiador robótico se encenderá una vez cada 24 horas para realizar el ciclo de limpieza seleccionado. En este modo, existe un límite de 7 ciclos de limpieza consecutivos.
- iii. 48 h = Limpieza cada dos días. El limpiador robótico se encenderá una vez cada 48 horas para realizar el ciclo de limpieza seleccionado. En este modo, existe un límite de 4 ciclos de limpieza consecutivos.
- iv. 72 h = Limpieza cada tres días. El limpiador robótico se encenderá una vez cada 72 horas para realizar el ciclo de limpieza seleccionado.



**NOTA: El ciclo de limpieza se debe reprogramar/seleccionar SEMANALMENTE.** Esto es para evitar daños en el limpiador si se lo ~~deja~~atendido.



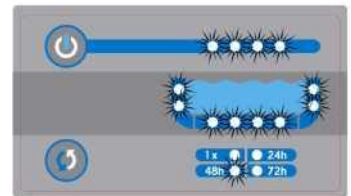
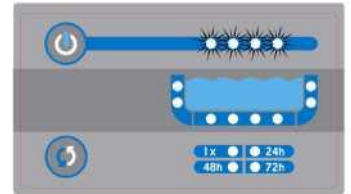
9. El limpiador robótico iniciará automáticamente el ciclo de limpieza seleccionado cuando no se haya presionado ningún botón de la fuente de alimentación durante 10 segundos. Los indicadores de encendido, los indicadores del modo del ciclo de limpieza seleccionado y el indicador del programa de limpieza seleccionado estarán encendidos continuamente durante el ciclo de limpieza.

Nota: Un ciclo y un programa de limpieza pueden interrumpirse al presionar el botón de encendido.

10. Cuando el limpiador robótico haya completado el ciclo de limpieza, la fuente de alimentación realizará una de las siguientes acciones:

a. Ingresar en modo de espera. Esto ocurre si en el programa ya no existen más ciclos de limpieza pendientes.

b. Ingresar en el modo de espera del programa. Esto significa que la fuente de alimentación se encuentra entre ciclos de limpieza del programa indicado. Los indicadores de encendido, el ciclo de limpieza seleccionado y los indicadores del programa de limpieza parpadearán lentamente. El limpiador robótico se encenderá automáticamente e iniciará el ciclo de limpieza seleccionado según el programa seleccionado.



11. Desenchufe la fuente de alimentación antes de quitar el limpiador robótico de la piscina.



### **Función por falla en el suministro eléctrico**

Si el suministro eléctrico falla durante un ciclo de limpieza o entre limpiezas programadas, la fuente de alimentación iniciará automáticamente un nuevo ciclo de limpieza cuando se restablezca el suministro eléctrico.

Nota: No se iniciará un nuevo ciclo de limpieza si queda pendiente menos de un ciclo de limpieza completo en el programa seleccionado.

**⚠ PRECAUCIÓN:** La función por falla en el suministro eléctrico no puede distinguir una falla en el suministro eléctrico de una fuente de alimentación desconectada. Esto puede provocar que el limpiador inicie un ciclo de limpieza automáticamente cuando se conecte la fuente de alimentación.

Si el cable de suministro está dañado, debe ser sustituido por el fabricante, un agente de servicio de mantenimiento o por personas similarmente calificadas a fin de evitar riesgos.

Todas las conexiones eléctricas deben ser realizadas por un electricista calificado según los estándares eléctricos locales (consulte la página 23).



## Sensor para fuera del agua

Para proteger mejor el limpiador de los daños, este detectará cuando se le pida que se encienda y no se encuentre a salvo en el agua o cuando se lo quite del agua durante su funcionamiento.

### Encendido fuera del agua

"Encendido fuera del agua" indica que se ha encendido el limpiador antes de colocarlo en el agua. Si el limpiador detecta que no se encuentra en el agua, la unidad se apagará sola. Para restablecer el ciclo, apague la fuente de alimentación durante 10 segundos y reiniciela.

### Funcionamiento fuera del agua

"Funcionamiento fuera del agua" hace referencia al hecho de que el limpiador salga o sea retirado del agua durante un ciclo de funcionamiento normal. Si el limpiador detecta que ya no se encuentra en el agua, la unidad intentará volver a ingresar al agua invirtiendo la dirección de la corriente. Si no se sumerge el limpiador dentro de los noventa (90) segundos posteriores, la unidad se apagará sola. Para restablecer el ciclo, apague la fuente de alimentación durante 10 segundos y reiniciela.

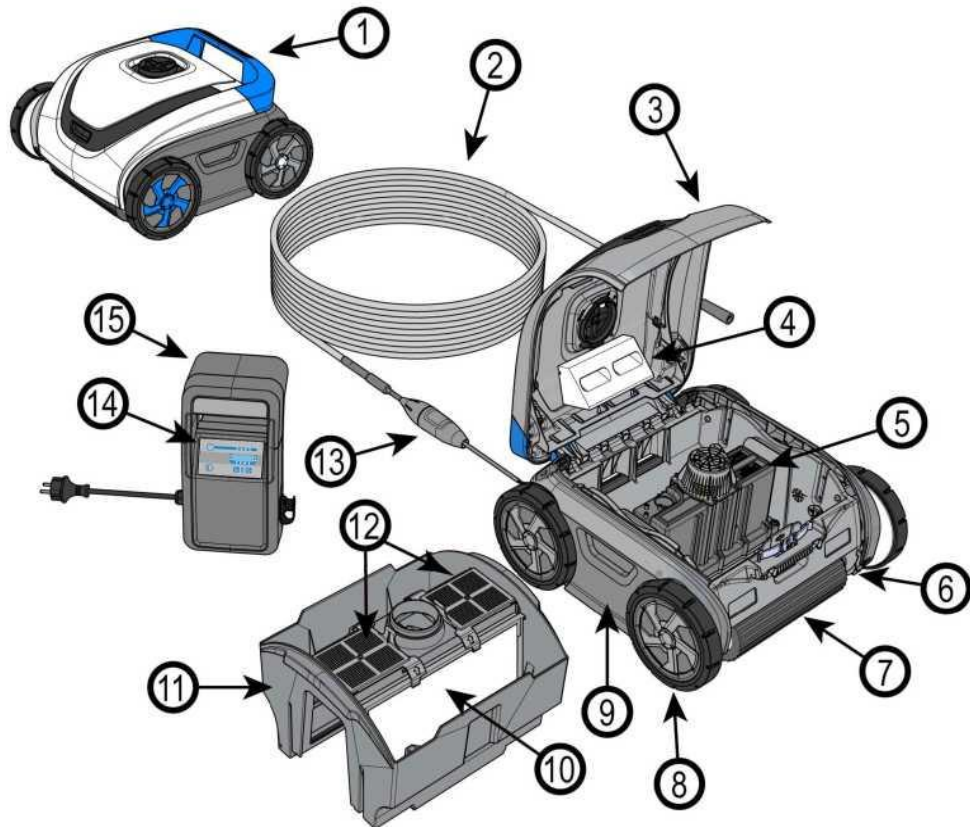
**⚠ PRECAUCIÓN:** Cuando extraiga el limpiador de la piscina, no lo enrolle alrededor de su brazo. El limpiador es pesado y puede hacer que las personas pierdan el equilibrio y caigan en la piscina. Para evitar caer en la piscina, enrolle suavemente el cable con una mano sobre la otra desde el extremo profundo de la piscina tirando suavemente el cable hasta que el limpiador suba a la superficie. Luego, levántelo para quitarlo del agua usando la manija, NO el cable.

**NO INGRESE A LA PISCINA CUANDO EL LIMPIADOR ESTÉ FUNCIONANDO O ESTÉ DENTRO DE LA PISCINA.**

El rango de temperatura del agua óptimo para el funcionamiento del limpiador es de 50 °F a 100 °F (10 °C a 35 °C).

Extraiga el limpiador de la piscina, vacíe el receptáculo del filtro y limpie los filtros después de cada uso. Si se mantiene el limpiador permanentemente en la piscina, esto puede hacer que sea necesario realizar servicios de mantenimiento adicionales (consulte la sección de mantenimiento para obtener instrucciones de limpieza).

**Mantenga el control de la fuente de alimentación fuera de la luz directa del sol. Almacene el limpiador y la fuente de alimentación en un área cubierta.**

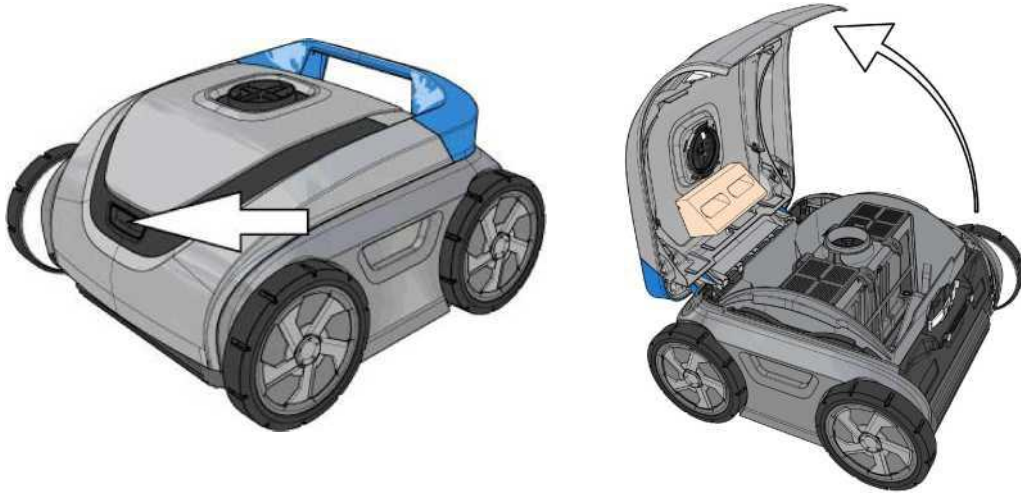


- |   |                            |    |                                  |
|---|----------------------------|----|----------------------------------|
| 1 | Manija                     | 8  | Rueda                            |
| 2 | Cable flotante             | 9  | Panel lateral                    |
| 3 | Ensamble con cúpula        | 10 | Cartucho del filtro              |
| 4 | Flotador                   | 11 | Receptáculo del filtro           |
| 5 | Unidad del motor sellada   | 12 | Puerta del filtro                |
| 6 | Tracción por orugas        | 13 | Muñón del cable                  |
| 7 | Cepillo de la rueda y tubo | 14 | Fuente de alimentación           |
|   |                            | 15 | Interruptor de apagado/encendido |

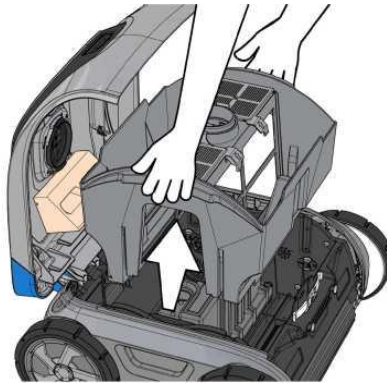
## MANTENIMIENTO

Limpe el cartucho del filtro después de cada uso:

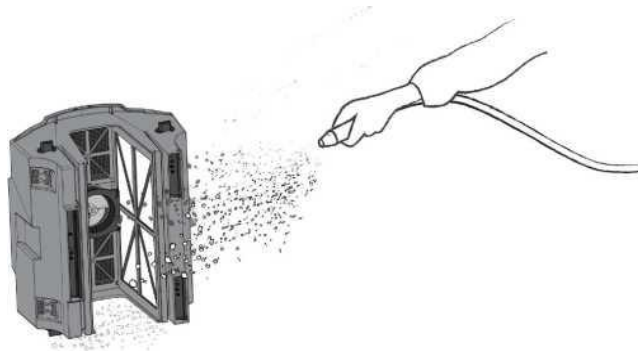
1. Abra el limpiador presionando el botón de la tapa y levantando la cubierta de cúpula.



2. Extraiga el receptáculo del filtro de fácil acceso levantándolo y retirándolo del limpiador con una mano en cada lado.



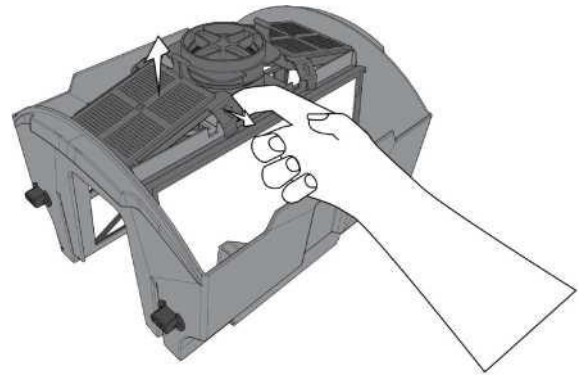
3. Voltee el ensamble del receptáculo para eliminar los escombros y luego enjuáguelo con una manguera de jardín para eliminar las partículas pequeñas.



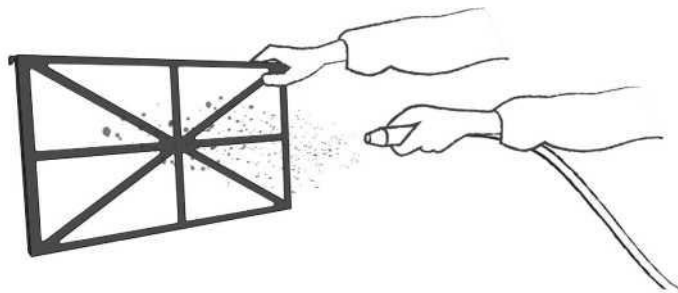
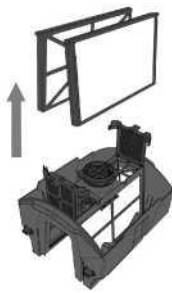
4. Los cartuchos del filtro no deben quitarse para limpiar.

5. Para quitar los cartuchos del filtro:

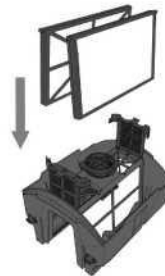
- a. Destrahe y levante ambos pestillos de la puerta del filtro.



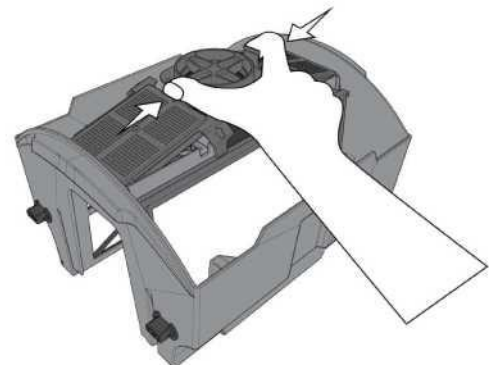
- b. Saque los cartuchos del filtro. Utilizando una manguera de jardín con una boquilla pulverizadora, lave los elementos del filtro para quitar los escombros. Sostenga los elementos del filtro como se muestra para permitir que caigan los escombros. Cuanto más limpio esté el filtro, más efectiva será la limpieza.



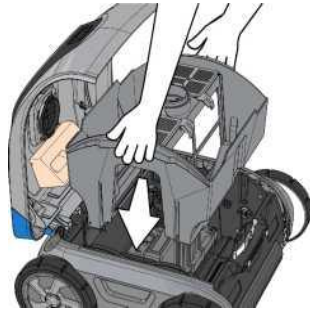
- c. Si los elementos del filtro están obstruidos con aceites, puede comprar el limpiador de cartuchos del filtro a su vendedor minorista de Hayward.
- d. Lave todo el ensamblaje del receptáculo del filtro.
- e. Vuelva a colocar los cartuchos del filtro en el ensamblaje del receptáculo del filtro con los refuerzos centrales del bastidor orientados hacia adentro.



- f. Trabe los pestillos de la puerta del filtro para que queden en su lugar.



6. Vuelva a colocar el ensamblaje del receptáculo del filtro dentro del limpiador con la ayuda del diagrama que se muestra para saber cuál es la parte delantera y cuál la trasera.

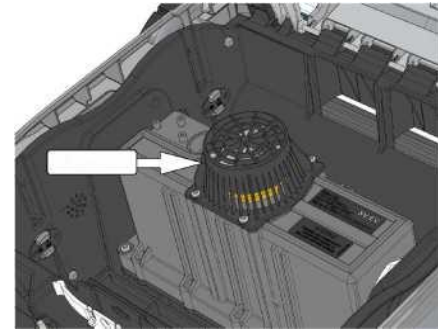


7. Cierre la cúpula y presione el botón de la tapa para trabar la cúpula y que quede en su lugar.

## Limpieza periódica de piezas móviles

**⚠️ ADVERTENCIA:** Desconecte la fuente de alimentación del tomacorriente antes de limpiar las piezas móviles.

- Inspeccione el venturi para asegurarse de que el impulsor no esté obstruido con escombros o cabellos.



- Se puede limpiar el impulsor rociándolo con una manguera de jardín.
- Rocíe agua usando una manguera de jardín alrededor del flotador para quitar la arena o los escombros. Retire cualquier escombros que se haya acumulado entre la tracción y las ruedas.

## Almacenamiento

Cuando la unidad esté fuera del agua, almacene el limpiador en un lugar seco y cubierto a una temperatura de 40 °F a 115 °F (4 °C a 46 °C).

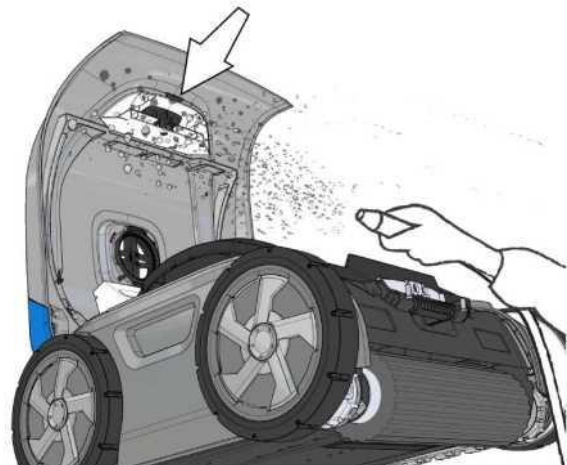
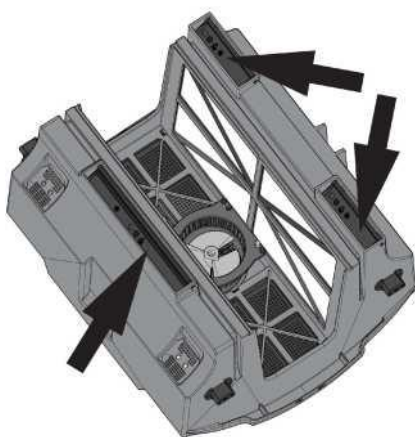
## Cuidado del cable

Si se lo utiliza continuamente, el cable puede enrollarse (como un cable de teléfono). Para corregir esto, estire el cable al sol; el calor del sol reducirá el enrollamiento del cable.

**IMPORTANTE:** El cable debe controlarse periódicamente para verificar que no haya daños externos.

## CONSEJOS IMPORTANTES

- No deje caer ni tire el limpiador en la pileta. Coloque el limpiador lejos de la pared de la piscina pero no lo tire.
- Si limpia los cartuchos del filtro después de cada uso, esto maximiza el rendimiento de la unidad.
- Reemplace los cepillos gastados o los rodillos de goma.
- Para evitar que los elementos del filtro del limpiador se bloqueen, asegúrese de que los polvos químicos estén completamente disueltos antes de hacer funcionar el limpiador.
- Si la piscina tiene un alto contenido de calcio, se recomienda limpiar los cartuchos del filtro con más frecuencia.
- Guarde el paquete original para un almacenamiento extendido o para cumplir con los requisitos de transporte en caso de que sea necesario que un Centro de servicios autorizado de Hayward realice el mantenimiento del limpiador.
- La unidad de motor sellado y la fuente de alimentación no contienen piezas que los usuarios puedan reparar. Abrirlos ANULARÁ automáticamente su garantía.
- Extraiga de la piscina todos los artículos, como termómetros, juguetes y productos similares, antes de utilizar la unidad. Estos objetos pueden atascarse en el limpiador y causar daños en la unidad o su piscina.
- Para una limpieza normal, el receptáculo del filtro puede limpiarse con los filtros instalados. Para una limpieza profunda, el usuario puede retirar cada cartucho del filtro y limpiarlos por separado.
- Durante un ciclo de operación normal del limpiador, el lado de la unidad que tiene la manija se elevará desde el fondo de la piscina para permitir que la unidad elimine los obstáculos, como drenajes principales elevados y peldaños de escaleras.
- En el caso de los limpiadores que se utilizan en áreas con mucha arena, es posible que sea necesario enjuagar con agua todas las áreas de las paletas del limpiador (la paleta del contenedor de escombros del filtro está en el puerto de admisión) y el botón a presión de la cúpula para permitir que haya un funcionamiento sin impedimentos.



## Identificación y resolución de problemas: Fuente de alimentación:

**Advertencia:** No intente reparar la fuente de alimentación. No hay piezas que los usuarios puedan reparar.

Síntoma	Posibles soluciones
No enciende. Los indicadores de la fuente de alimentación no se encienden.	Asegúrese de que la fuente de alimentación esté conectada a un tomacorriente del GFCI que funcione. Reestablezca el GFCI si es necesario. Nota: Repetidas desconexiones del GFCI pueden indicar un GFCI defectuoso o una falla no reparable en la fuente de alimentación. En tales casos, suspenda el uso de la fuente de alimentación. Asegúrese de que el disyuntor de servicio o el fusible no se hayan desconectado.
El limpiador no funciona.	El limpiador puede demorar hasta 1 minuto para comenzar a moverse después del inicio de un ciclo de limpieza. Asegúrese de que el ciclo de limpieza se haya iniciado.
Todos los indicadores de la fuente de alimentación parpadean. El limpiador no funciona.	Se detectó un problema con la fuente de alimentación. El patrón de parpadeo de la luz determina el tipo de problema.  <b>*1 parpadeo cada 3 segundos:</b> Detección de exceso de corriente: Esto puede ocurrir si los escombros se alojan en el tren impulsor del limpiador. Un cable del limpiador dañado también puede provocar esto. Esta falla se puede solucionar al desconectar la fuente de alimentación del suministro eléctrico durante al menos 1 minuto.  <b>*2 parpadeos cada 3 segundos:</b> Detección de exceso de temperatura La falla provocará un restablecimiento automático y comenzará un ciclo de limpieza cuando la fuente de alimentación se enfríe. Coloque la fuente de alimentación en posición vertical con el disipador térmico lejos de la pared o la superficie. Mantenga la fuente de alimentación fuera de la luz directa del sol.  <b>*3 parpadeos cada 3 segundos:</b> Desconecte la fuente de alimentación del suministro eléctrico. Espere al menos 1 minutos para el restablecimiento. Asegúrese de que el cable del limpiador no esté conectado a la fuente de alimentación. Conecte el cable de la fuente de alimentación en el tomacorriente. Establezca la fuente de alimentación para comenzar un ciclo de limpieza. Si esta falla se repite, hay un problema con la fuente de alimentación. En caso contrario, hay un problema con el limpiador o el cable del limpiador.

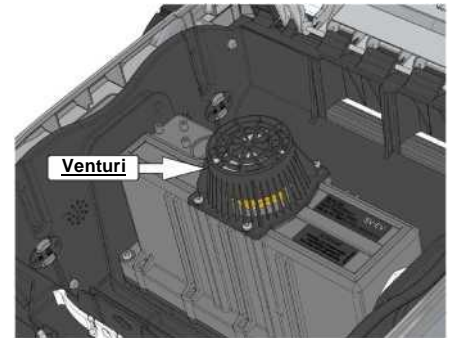


## IDENTIFICACIÓN Y RESOLUCIÓN DE PROBLEMAS: Limpiador

- Si el filtro no recoge escombros finos ni pesados:
  - o Puede estar obstruido. Limpie el filtro. Puede comprar una solución de limpieza para filtros al vendedor minorista de Hayward para eliminar el exceso de suciedad o arena.

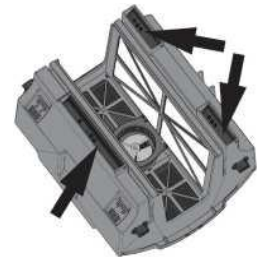
- Si el filtro comienza a funcionar momentáneamente pero luego deja de hacerlo:

- o El impulsor puede estar obstruido o atascado con escombros. Controle y límpielo, si es necesario, según las instrucciones de la sección mantenimiento.



- o El rodillo del cepillo o las tracciones por orugas pueden estar atascados. Controle si hay escombros y limpie si es necesario.
- o El limpiador funciona mediante la sincronización y el sensor de detección de la pared de la piscina, lo que dé la orden primero.

- Hay 3 puertos de admisión ubicados en la parte inferior del receptáculo del filtro y cerca del rodillo del cepillo. Controle que no haya escombros y limpie si es necesario.



- El limpiador puede quedarse trabado si hay *un* drenaje principal alto instalado en la piscina. El limpiador puede permanecer alojado en el drenaje durante poco tiempo pero finalmente se liberará debido al programa integrado del limpiador.
- Rendimiento del limpiador: Puede existir cierta confusión acerca de la percepción del modo en que el limpiador funciona en diferentes ocasiones durante cada ciclo. Es importante juzgar el rendimiento del limpiador al observar si se mejoró la limpieza de la piscina luego de que el limpiador realice un ciclo de limpieza completo.
- Si el limpiador abarca una pequeña parte de la piscina en un ciclo o si solo cubre una pequeña área, verifique el filtro y límpielo si es necesario. Asegúrese de que la unidad no quede atrapada en los drenajes, entre cabezales de limpieza del piso o juguetes. El usuario puede intentar usar el limpiador en diferentes lugares para encontrar el lugar óptimo donde efectuar la limpieza.
- Si caen escombros del limpiador mientras lo retira de la piscina, esto puede estar ocasionado por una sobrecarga del filtro. De ser así, limpie el filtro con más frecuencia. Asegúrese de que no hayan escombros de gran tamaño bloqueando cualquiera de las tres entradas. Los escombros de gran tamaño se deben retirar de la piscina antes de utilizar la máquina. Si las paletas de drenaje están fuera de lugar o se atascan con arena u hojas cuando están en la posición abierta, se pueden volver a colocar las paletas en su lugar después de limpiar el área.
- Si el cable flotante se enreda, lo que puede ocurrir cuando el limpiador queda atascado en grandes objetos, como rocas, juguetes o drenajes principales, es posible enderezarlo si se estira el cable completamente (si es posible) al sol. El calor del sol ayudará a reducir el enrollamiento del cable.
- Si se puede ver una gran cantidad de escombros por las ventanas de la cúpula (si hubiere), extraiga rápidamente el limpiador del agua para reducir las posibilidades de que los escombros salgan del receptáculo del filtro y vuelvan a ingresar a la piscina.

<b>Peso</b> (sin cable)	26,75 lb (12,13 kg)		
<b>Longitud del cable</b>	60 pies (18,29 m)		
<b>Materiales</b>	ABS de alto impacto. Piezas de metal de acero inoxidable no ferroso.		
<b>Rango de temperatura del agua para el funcionamiento</b>	50 a 100 °F 10 a 35 °C		
<b>Sellado a prueba de agua</b>	Juntas tóricas y sellos de ejes radiales redundantes triples		
<b>Alojamiento del motor</b>	Sellado, hermético, polipropileno de alto impacto		
<b>Protección de sobrecarga</b>	Monitoreo electrónico de sobrecarga con apagado automático		
<b>Filtro</b>			
Tipo	Removible, reutilizable, cartucho para elementos plegados		
Medios	Mezcla de celulosa/poliéster plegada		
<b>Control de limpieza de rutina</b>			
Tipo	Microprocesador ASCL® (Adaptive Seek Control Logic)		
Ciclo de limpieza	Ciclo completo		
	3 horas		
<b>Sistema de accionamiento</b>	Accionamiento directo con tracción por orugas de poliuretano y sistema de rodamiento de acetal/acero inoxidable		
<b>Fuente de alimentación</b>			
Voltaje primario de entrada	CA de 120 V, +/- 10 %, 60 Hz		
Voltaje secundario del tomacorriente	CC de 30 V		
Corriente del tomacorriente nominal	3,5 A		
Peso	9,75 lb (4,42 kg)		
<b>Transporte Longitud/ancho/altura</b>			
Dimensiones del paquete (mm) c/Caddy	24 in (620 mm)	17 in (440 mm)	30 in (752 mm)
Dimensiones del paquete, Caddy X	21 in (492 mm)	21 in (492 mm)	26 in (657 mm)
Peso de envío con Caddy	52 lb (23,6 kg)		
Peso de envío, Caddy X	40 lb (18,4 kg)		

PÁGINA CON DIAGRAMA DE PIEZAS DESARROLLADO PARA EL FUTURO



PÁGINA CON DIAGRAMA DE PIEZAS DESARROLLADO PARA EL FUTURO

## Garantía limitada de los productos para piscinas de Hayward®

A los compradores originales de este equipo, Hayward Pool Products, Inc. les garantiza que sus limpiadores carecen de defectos en lo que respecta a los materiales y mano de obra durante un período de UNO (1) año a partir de la fecha de compra, cuando se lo utilice en aplicaciones residenciales de una sola familia. Las piezas desgastadas no están cubiertas por esta garantía.

La garantía limitada excluye los daños que resulten por congelamiento, negligencia, instalación inadecuada, uso o cuidado inadecuados o catástrofes naturales. Las piezas que fallen o se vuelvan defectuosas durante el período de garantía se repararán o reemplazarán, según nuestro criterio, dentro de los 90 días de la recepción del producto defectuoso, salvo retrasos imprevistos, sin costo alguno.

Se requiere una evidencia de compra para proporcionar el servicio de la garantía. En caso de que no haya una evidencia de prueba disponible, la fecha de fabricación del producto será el único factor que determine la fecha de compra.

Para obtener el servicio de la garantía, comuníquese con el lugar de adquisición o el Centro de servicios autorizado de Hayward más cercano. Para recibir asistencia a fin de comunicarse con el Centro de servicios autorizado de Hayward más cercano, visite [www.hayward.com/locator/7hasc](http://www.hayward.com/locator/7hasc)

La garantía de los productos para piscinas de Hayward no se aplica a componentes fabricados por otras compañías. Para dichos productos, se aplicará la garantía establecida por los respectivos fabricantes.

Hayward no será responsable por el transporte, extracción, reparación, trabajos de instalación o cualquier otro tipo de costos en los que se haya incurrido para obtener reemplazos o reparaciones en garantía.

La garantía limitada expresa mencionada anteriormente constituye la garantía total de Hayward Pool Products relativa a sus productos para piscinas y sustituye a cualquier otra garantía expresa o implícita, incluidas las garantías de comerciabilidad o idoneidad para un fin particular. En ningún caso Hayward Pool Products será responsable de daños consecuentes, especiales o incidentales de ninguna naturaleza.

Algunos estados no permiten que se establezca un límite en la duración de una garantía o en la exclusión de daños incidentales o consecuentes, en cuyo caso no se aplica la limitación anterior. Esta garantía le proporciona derechos legales especiales y también puede tener otros derechos, que varían según el estado.

Productos para piscinas de Hayward  
620 Division Street  
Elizabeth, NJ 07207

\* Sustituye a todas las publicaciones anteriores.

## EXCEPCIONES Y EXCLUSIONES DE GARANTÍA

El filtro debe utilizarse de acuerdo con los requisitos eléctricos indicados en la fuente de alimentación. Los daños, los defectos, el mal funcionamiento u otras fallas en el limpiador derivados del uso en fuentes de alimentación que no estén indicadas en el presente están exentos y excluidos de esta garantía.

Los defectos, el mal funcionamiento, las fallas o los daños en el limpiador ocasionados por el uso inadecuado, irracional o negligente o el abuso del usuario están excluidos de esta garantía.

Si se realizan reparaciones en el limpiador por parte de cualquier persona que no sea personal autorizado (designado para realizar tal trabajo) sin haber obtenido antes instrucciones de fábrica, HAYWARD, a su único criterio, puede determinar que esta garantía no se aplicará y que no se realizará el reembolso de dicha reparación porque no se ha cumplido con las instrucciones especificadas de fábrica.

Los cartuchos del filtro no están cubiertos por esta garantía y se sustituirán solamente previa aprobación de los costos por parte suya.

## NORMA ELÉCTRICA/PAÍS

F	NF EN C 15-100	GB	BS7671:1992
D	DIN VDE 0100-702	EW	EVHS-HD 384-7-702
A	ÖVE 8001 -4-702	H	MSZ 2364-702:1994 / MSZ 10-533 1/1990
E	UNE 20460-7-702 1993, REBT ITC-BT-31 2002	M	MSA HD 384-7-702.S2
IRL	Normas de cableado + IS HD 384-7-702	PL	PN-IEC 60364-7-702:1999
I	CEI 64-8/7	CZ	CSN 33 2000 7-702
LUX	384-7.702 S2	SK	STN 33 2000-7-702
NL	NEN 1010-7-702	SLO	SIST HD 384-7-702.S2
P	RSIUEE	TR	TS IEC 60364-7-702



REGISTRO DE PRODUCTOS (conservar para su registro)

FECHA DE INSTALACIÓN: \_\_\_\_/\_\_\_\_/\_\_\_\_

Conserve este Certificado de garantía (parte superior) en una ubicación conveniente y segura para sus registros.



DESPRENDER AQUÍ: Complete la parte inferior totalmente y envíela por correo dentro de los 10 días de su compra/instalación o regístrese en línea.

EXTRACTOR DE SUPERFICIE AUTOMÁTICO

Registro de Tarjeta de garantía

Registro en línea en [www.hayward.com](http://www.hayward.com)

Escribir con letra clara:

Nombre: \_\_\_\_\_ Apellido: \_\_\_\_\_

Dirección: \_\_\_\_\_

Ciudad: \_\_\_\_\_ Estado: \_\_\_\_\_ CP: \_\_\_\_\_

Número de teléfono: \_\_\_\_\_ Fecha de compra: \_\_\_\_\_

Dirección de correo electrónico: \_\_\_\_\_

Número de serie:

Grid for serial number: 15 empty boxes

Número de modelo: \_\_\_\_\_

Capacidad de la piscina: \_\_\_\_\_ (galones norteamericanos)

Incluirme en todos los mensajes de correo electrónico relativos a los equipos o promociones de Hayward®.

Escribir a: Hayward Pool Products, 620 Division Street, Elizabeth, NJ 07207. A la atención de: Warranty Dept.

O REGISTRE SU GARANTÍA EN LÍNEA EN [WWW.HAYWARD.COM](http://WWW.HAYWARD.COM)

Años durante los que la piscina ha estado en funcionamiento:  < 1 año  1-3  4-5  6-10  11-15  >15

Se la compró a:

- Fabricante  Minorista
- Servicio de piscinas  Internet/catálogo

Nombre de la empresa

Dirección

Ciudad \_\_\_\_\_ Estado \_\_\_\_\_ CP \_\_\_\_\_

Teléfono \_\_\_\_\_

Tipo de piscina:

- Cemento/gunita  Vinilo  Fibra de vidrio
- Otros \_\_\_\_\_

- Nueva instalación  Reemplazo
- En Tierra  Sobre tierra  Spa

Instalación para: