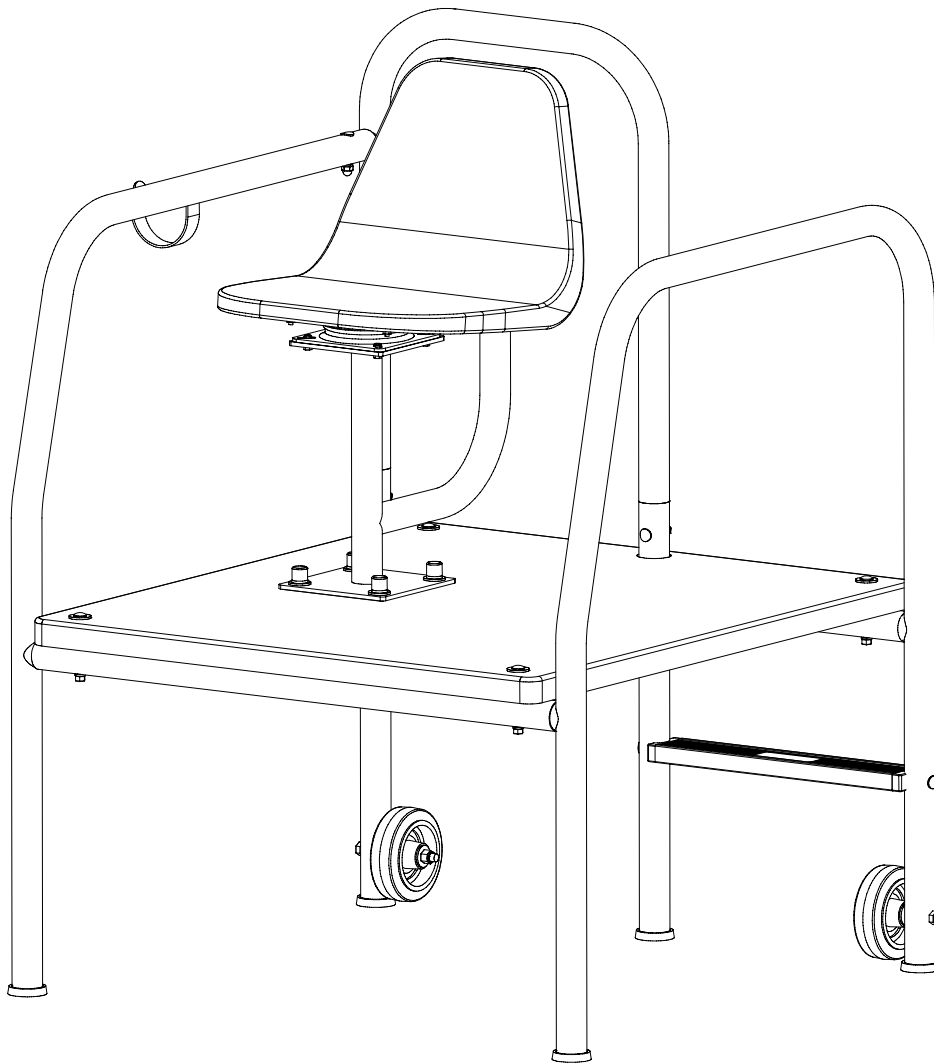




## LOW PROFILE LIFEGUARD STANDS

### ASSEMBLY INSTRUCTIONS



**CORPORATE HEADQUARTERS  
WESTERN SALES AND MANUFACTURING PLANT  
P.O. Box 400 • 1017 SW Berg Parkway  
Canby, Oregon 97013  
(503) 266-2231 • Fax (503) 266-4334  
[www.srsmith.com](http://www.srsmith.com)**

# INTRODUCTION

The Low Profile Lifeguard Stand is designed for use on competitive or municipal pools. Proper placement, use, and maintenance are essential for proper operation and to reduce the risk of accident or injury.

## **\*\*IMPORTANT\*\***

Check entire box and inside all packing materials for parts. Before beginning assembly, read the instructions and identify parts using the figures and parts listed in this document. It is critical that all parts be carefully inspected by the installer prior to installation to ensure that no damage occurred in transit and that a damaged part is not used. Proper installation cannot be overstressed, as an improper installation voids S.R. Smith's warranty and may affect the safety of the user.

LPLS-330

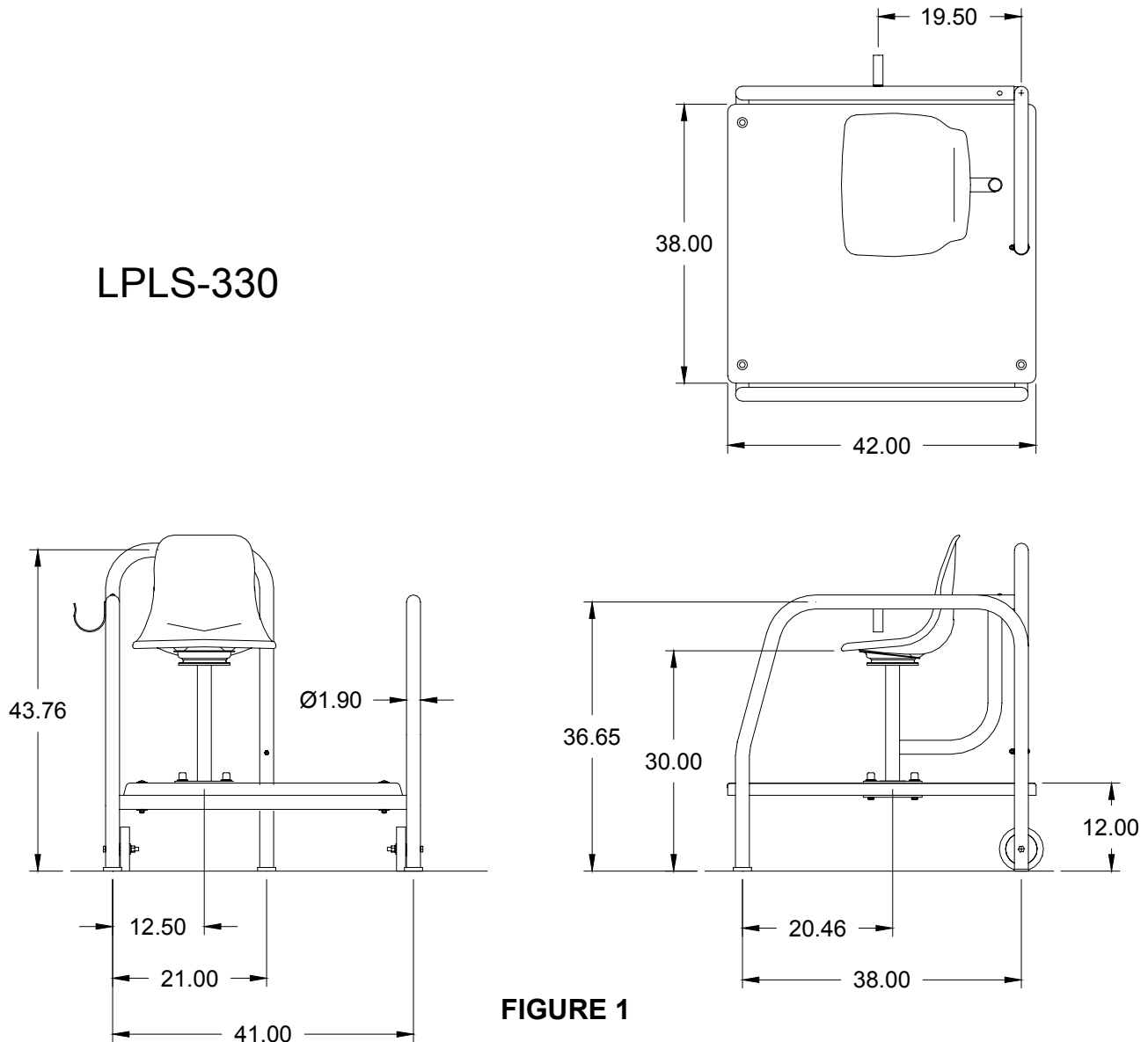


FIGURE 1

LPLS-342

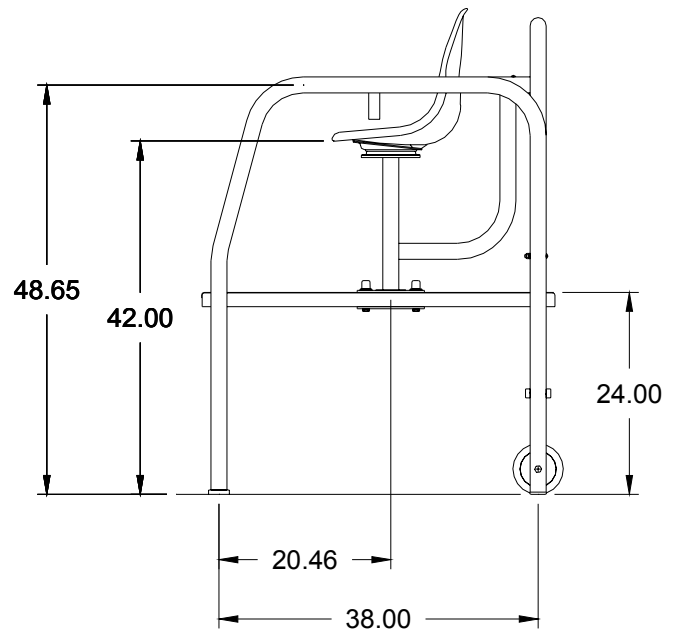
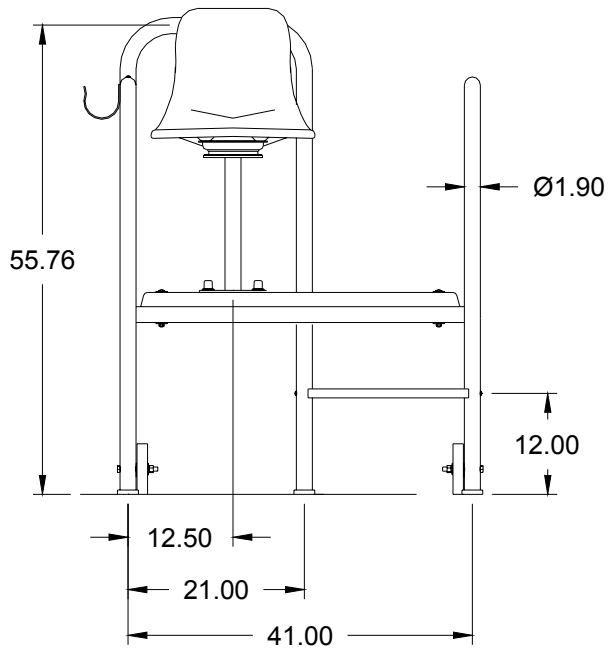
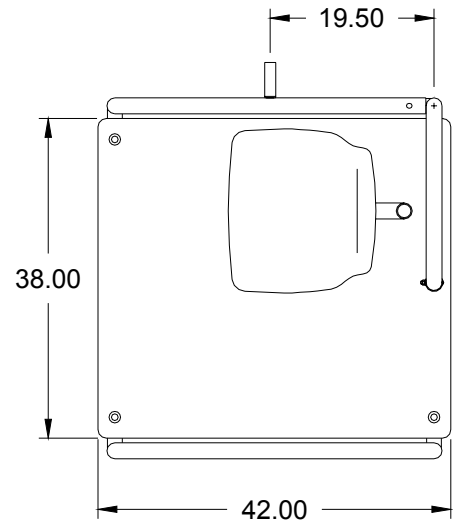


FIGURE 2

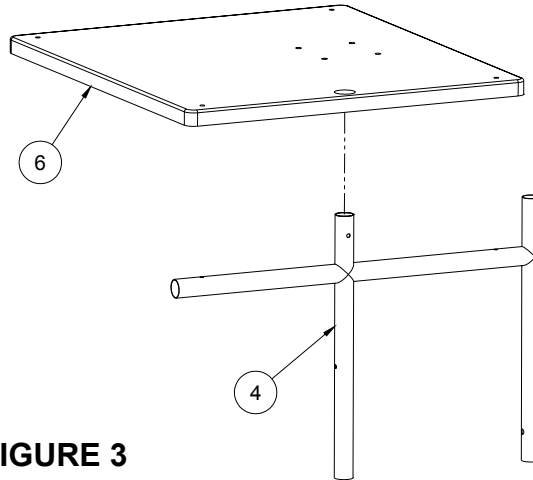
## LOW PROFILE LIFEGUARD STAND PARTS LIST

ITEM NO.	QTY.	PART NO.	DESCRIPTION
1	1	20-303A	LPLS-330 FRAME, LEFT
1	1	20-304A	LPLS-342 FRAME, LEFT
2	1	20-303B	LPLS-330 FRAME, RIGHT
2	1	20-304B	LPLS-342 FRAME, RIGHT
3	1	20-301	LPLS-330/342 FRAME, REAR
4	1	20-303C	LPLS-330 FOOTBOARD SUPPORT, REAR
4	1	20-304C	LPLS-342 FOOTBOARD SUPPORT, REAR
5	1	20-302	LPLS-330/342 FOOTBOARD SUPPORT, FRONT
6	1	8-710	LPLS-330/342 FOOTBOARD
7	2	8-510	GASKET, 7-1/2" X 7-1/2"
8	1	13-109	SWIVEL STAND W/ UMBRELLA HOLDER
9	1	20-202	SWIVEL STAND MOUNTING PLATE
10	5	BRB-100EX	BLUE BUMPER
11	1	2407030	SWIVEL, LIFEGUARD CHAIR
12	3	5-195	3/8-16 X 2-1/4" GUSSET HEAD BOLT, SS
13	7	5-151	LOCK WASHER, 3/8", SPLIT, SS
14	3	5-156	3/8-16 ACORN NUT, 316 SS
15	4	2300300	CARRIAGE BOLT, 3/8" UNC X 4" LONG, SS
16	16	05-14-114	FLAT WASHER, 1/2", SS
17	6	5-139	3/8" UNC, HEX NUT, SS
18	4	5-124	BOLT, 1/2" UNC X 3.0 LG
19	4	05-14-115	LOCK WASHER, 1/2", SS
20	4	05-14-116	1/2" HEX NUT S/S
21	4	05-618	NUT CAP, 1/2", WHITE PLASTIC
22	4	2024189	SCREW, 1/4" X 3/4" LG, PAN HD, SLOTTED, SS
23	8	5-149	LOCK WASHER, 1/4", SPLIT, SS
24	8	5-137	HEX NUT, 1/4" UNC, SS
25	1	8-609	LIFEGUARD SEAT
26	2	5-117	1/2" X 5-1/2" BOLT, S/S
27	2	8-862	PLS 6" WHEEL
28	2	05-14-116	1/2"-13 HEX NUT, S/S
29	1	LTDF-103	20" ELITE TREAD, SS, NO HARDWARE
30	2	5-170	3/8"-16 X 2-1/2" CRADLE HEAD BOLT

## ASSEMBLY INSTRUCTIONS

Unless specified otherwise, assembly instructions apply to both **LPLS-330** and **LPLS-342** models.

1. Begin by placing the **LPLS-330/342 Footboard, (item 6)** onto the **LPLS-330/342 Rear Frame (item 4)** being careful to orient as shown in **FIGURE 3**.

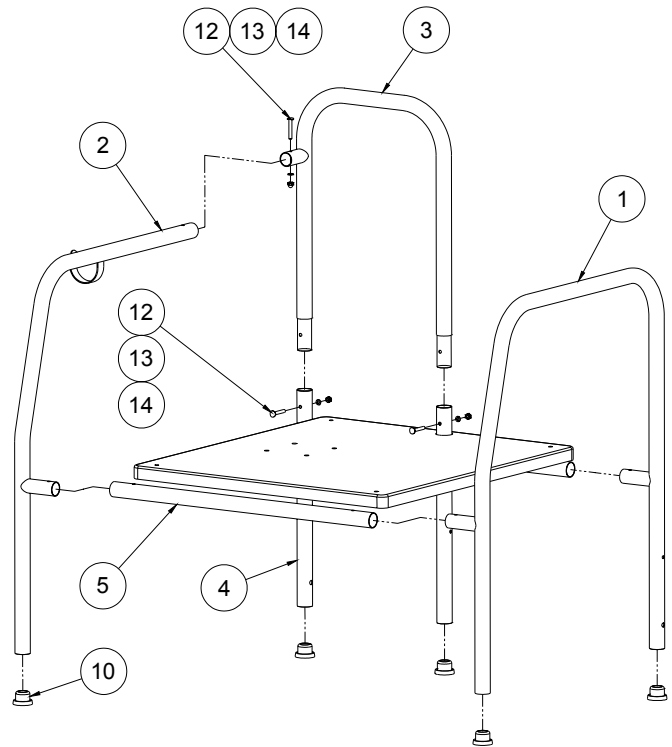


**FIGURE 3**

2. Place Blue Bumpers (item 10) five (5) places in the frame tube ends as shown in **FIGURE 4**. Join **LPLS-330/342 Right Frame (item 2)** with **LPLS-330/342 Front Footboard Support (item 5)** and the **LPLS-330/342 Rear Frame (item 3)**.

Place the joined LPLS-330/342 Right Frame, LPLS-330/342 Front Footboard Support and the LPLS-330/342 Rear Frame into the **LPLS-330/342 Rear Footboard Support (item 4)**. Place **LPLS-330/342 Left Frame (item 1)** over the ends of the Front and Rear Footboard Support frames.

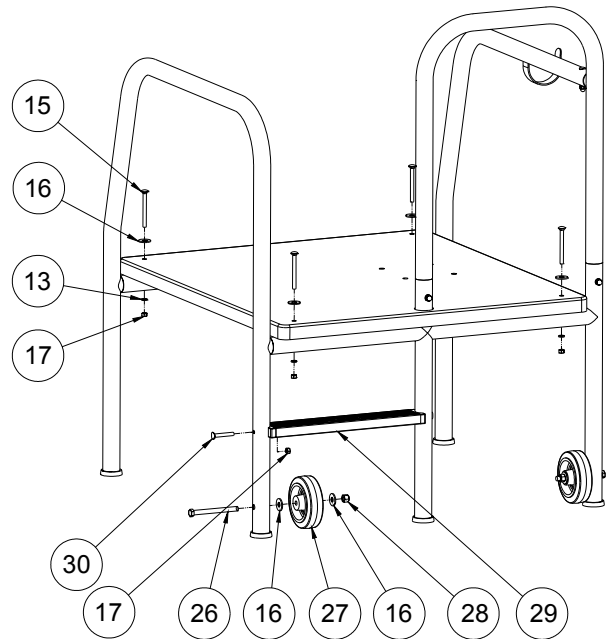
Place **3/8" Cradle Head Bolts (item 12)** through **LPLS-330/342 Rear Frame** and **LPLS-330/342 Rear Footboard Support** two (2) places. Place **3/8" Cradle Head Bolt (item 12)** through **LPLS-330/342 Right Frame (item 2)** and **LPLS-330/342 Rear Frame (item 3)** one (1) place. Place **3/8" Lock Washer (item 13)** and **3/8" Acorn Nut (item 14)** over Cradle Head Bolts three (3) places as shown in **FIGURE 4**.



**FIGURE 4**

- Place  $\frac{1}{2}$ " **Flat Washer (item 16)** over  $\frac{3}{8}$ " **Carriage Bolt (item 15)** four (4) places. Place Carriage Bolt and Flat Washer through Footboard and Frame members four (4) places. Place  $\frac{3}{8}$ " **Lock Washer (item 13)** and  $\frac{3}{8}$ " **Hex Nut (item 17)** onto Carriage Bolts four (4) places. Do not tighten at this time.

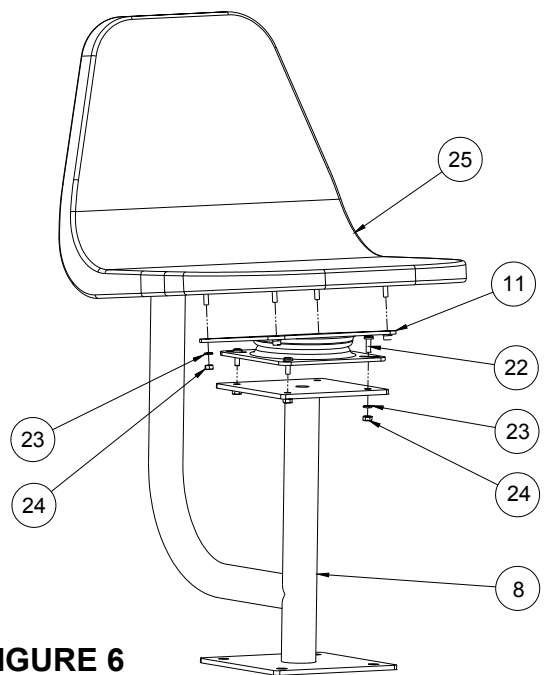
**(LPLS-342 ONLY)** Place **20" Elite Tread (item 29)** between Rear Footboard Support and Left LPLS-330/342 Frame and align holes of Elite Tread with holes in frames. Place  $\frac{3}{8}$ " **Cradle Head Bolts (item 30)** through LPLS-330/342 Left Frame and LPLS-330/342 Rear Footboard Support two (2) places as shown in **FIGURE 5**. Place  $\frac{3}{8}$ " **Hex Nut (item 17)** over Cradle Head Bolts.



**FIGURE 5**

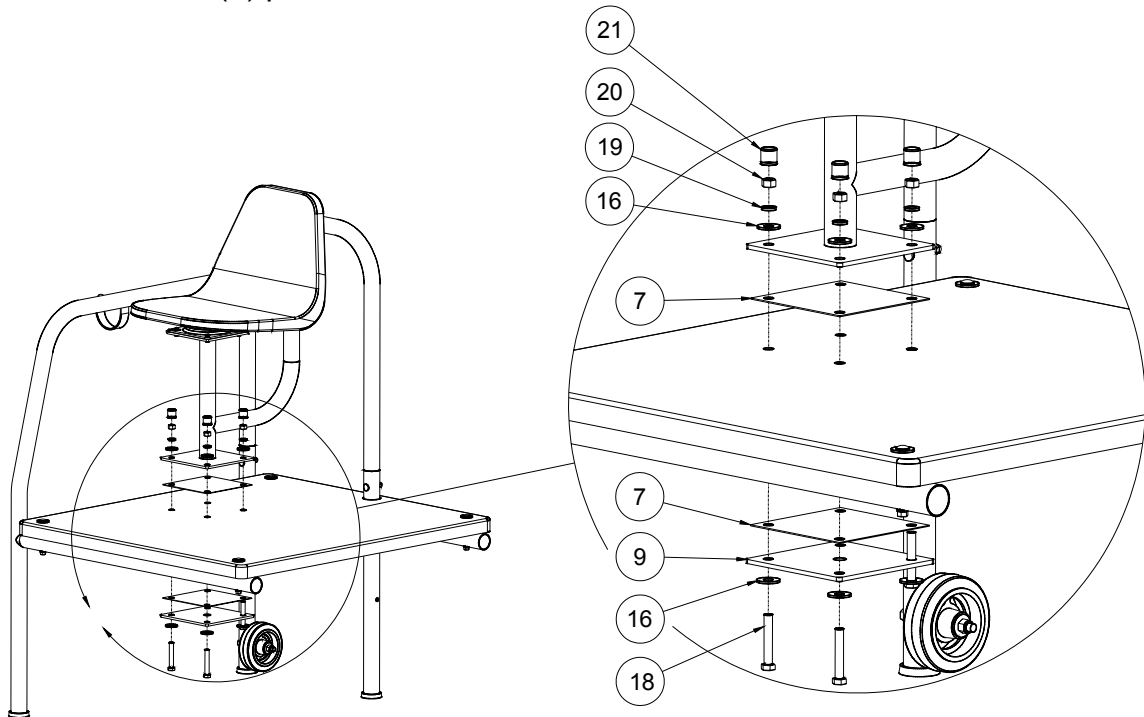
- Place  $\frac{1}{2}$ " X  $5\text{-}1/2$ " **Bolt (item 26)** through LPLS-330/342 Left Frame (item 1) and LPLS-330/342 Right Frame (item 2) two (2) places. Place  $\frac{1}{2}$ " **Flat Washer (item 16)**, **6" Wheel (item 27)**,  $\frac{1}{2}$ " **Flat Washer (item 16)**, and  $\frac{1}{2}$ "-13 **Hex Nut (item 28)** over bolts and tighten as shown in **FIGURE 5**.
- Place **Swivel (item 11)** onto **Swivel Stand W/ Umbrella Holder (item 8)** orienting as shown in **FIGURE 6**. Place **Screw (item 22)** through Swivel and Swivel Stand (4 places). Place  $\frac{1}{4}$ " **Lock Washer (item 23)** and  $\frac{1}{4}$ " **Hex Nut (item 24)** onto **Screw** and tighten (4 places).

- Place **Lifeguard Chair (item 25)** onto **Swivel**. Attach  $\frac{1}{4}$ " **Lock Washer (item 23)** and  $\frac{1}{4}$ " **Hex Nut (item 24)** onto **Lifeguard Chair** studs and tighten (4 places) as shown in **FIGURE 6**.



**FIGURE 6**

7. Place  $\frac{1}{2}$ " Flat Washer (item 16), Swivel Stand Mounting Plate (item 9) and Gasket (item 7) over  $\frac{1}{2}$ " X 3" Long Bolt (item 18) four (4) places. Place Bolts, Washers, Swivel Stand Mounting Plate and Gasket through holes in underside of Footboard and hold parts in place. Place Gasket (item 7) and Swivel Stand/Lifeguard Chair Assembly onto exposed bolts on top of footboard. Place  $\frac{1}{2}$ " Flat Washer (item 16),  $\frac{1}{2}$ " Lock Washer (item 19) and  $\frac{1}{2}$ " Hex Nut (item 20) over  $\frac{1}{2}$ " X 3" Long Bolt and tighten Hex Nuts. Place  $\frac{1}{2}$ " Plastic Nut Cap (item 21) over Hex Nuts four (4) places. See **FIGURE 7**.



**FIGURE 7**

FRAMES REMOVED FOR CLARITY

8. Tighten all fasteners being careful to compress all lock washers and no further. Excessive tightening of fasteners can result in damage to tubing and related parts voiding warranty and creating an unsafe structure.

### **SAFETY & MAINTENANCE INSTRUCTIONS**

- Periodically inspect the Portable Lifeguard Stand to assure there are no worn parts and that all hardware is properly tightened.
- All stainless steel parts require periodic maintenance. Polishing with a cotton cloth and a Windex-type product maintains the finish and restores luster.
- Use non-abrasive soap and water. Avoid harsh chemicals and disinfectants. Always read the label instructions on any cleaner carefully before applying it to a surface.