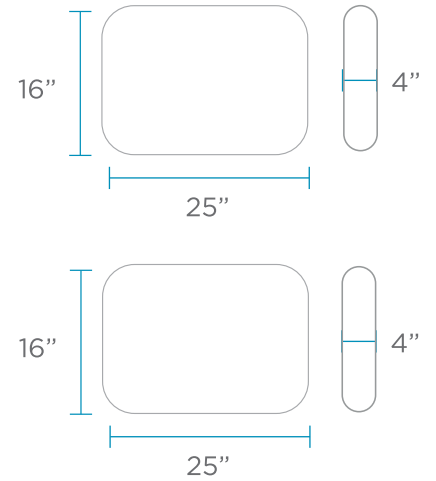
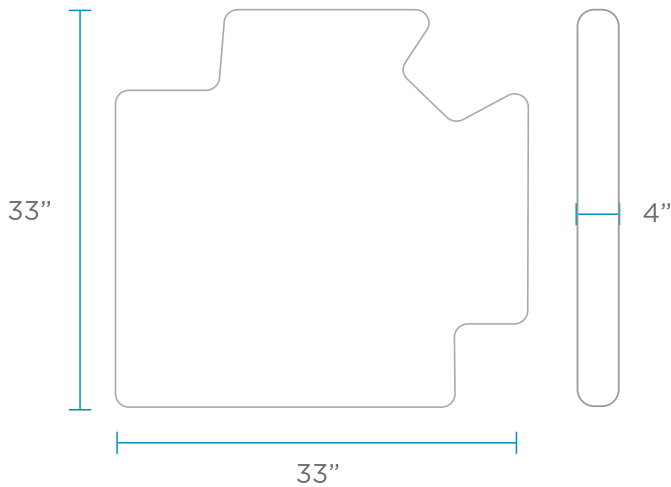
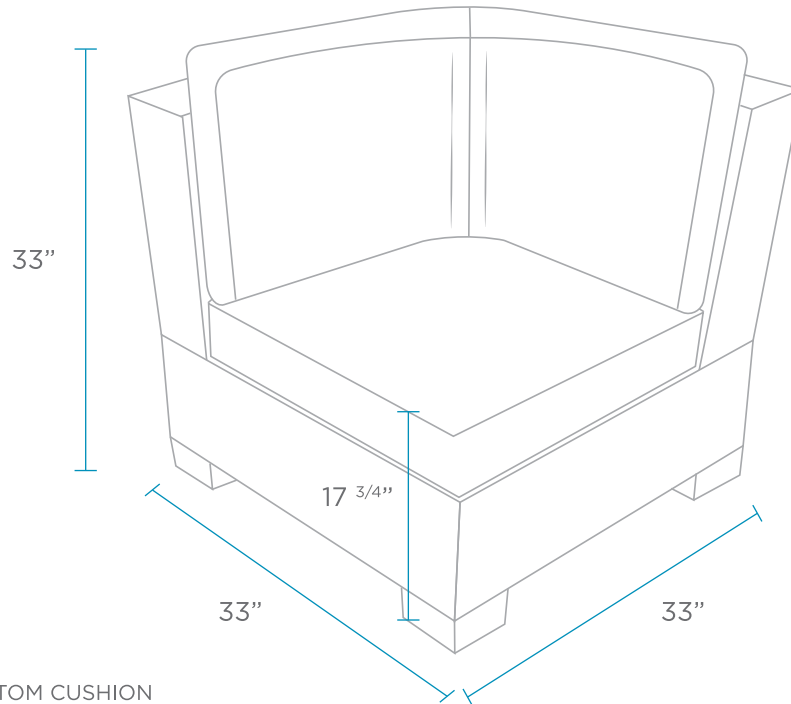


SECTIONAL SPECIFICATIONS - CORNER

WEIGHT EMPTY: 95 LBS | WEIGHT FULL: 395 LBS

Designed for up to 10" of water or on deck



FEATURES

- Perfect for residential or commercial use
- Built to withstand sun, weather, and chemicals of any aquatic environment
- Three-piece base crafted of an ultra-strong, UV8 rated resin
- Cushions made of high quality, outdoor Sunbrella fabrics and EZ Dri foam core
- Optional threaded plug system for in water or anchored applications
- Connect additional Sectional pieces to the left or right of the Corner
- Endless reconfiguration possibilities using snap in place interlocking system

AVAILABLE RESIN COLORS



Over 400 fabric options available. See website for details.