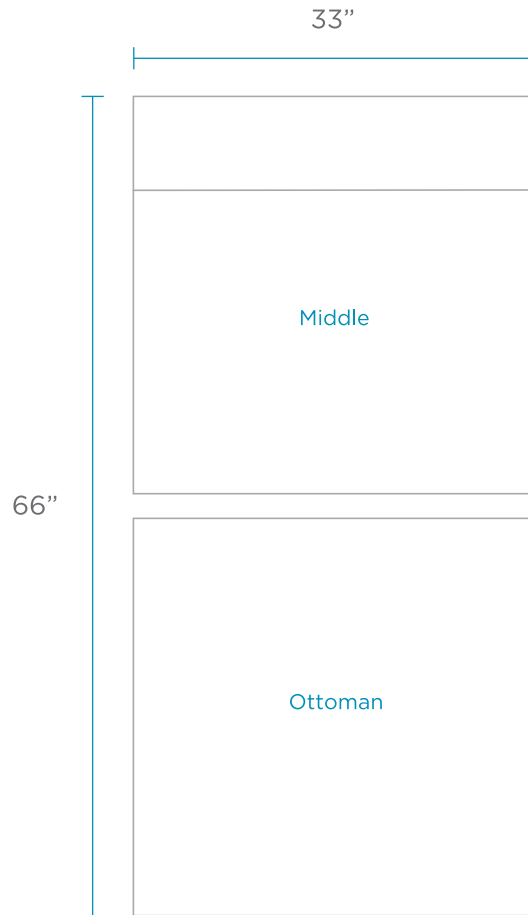


SECTIONAL SPECIFICATIONS - 2 PIECE SUN CHAIR

Designed for up to 10" of water or on deck



FEATURES

The 2 Piece Sun Chair arrangement consists of the following:

- 1 Middle
- 1 Ottoman

See individual specifications by piece for further details.

AVAILABLE RESIN COLORS

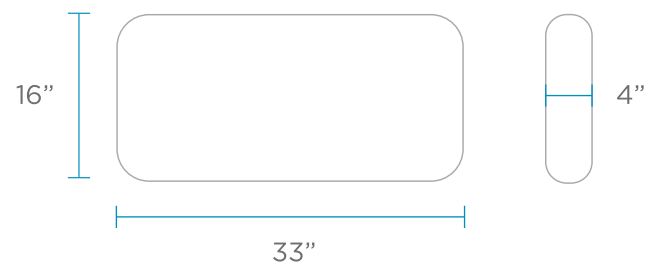
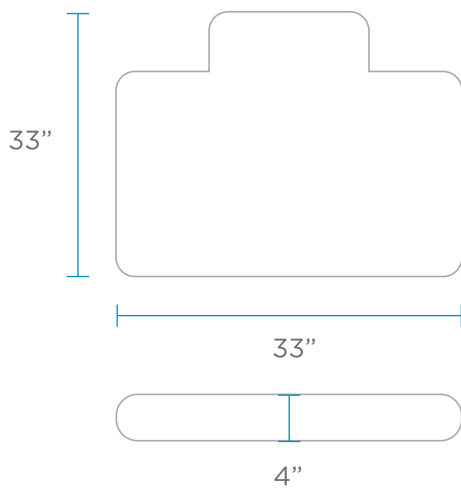
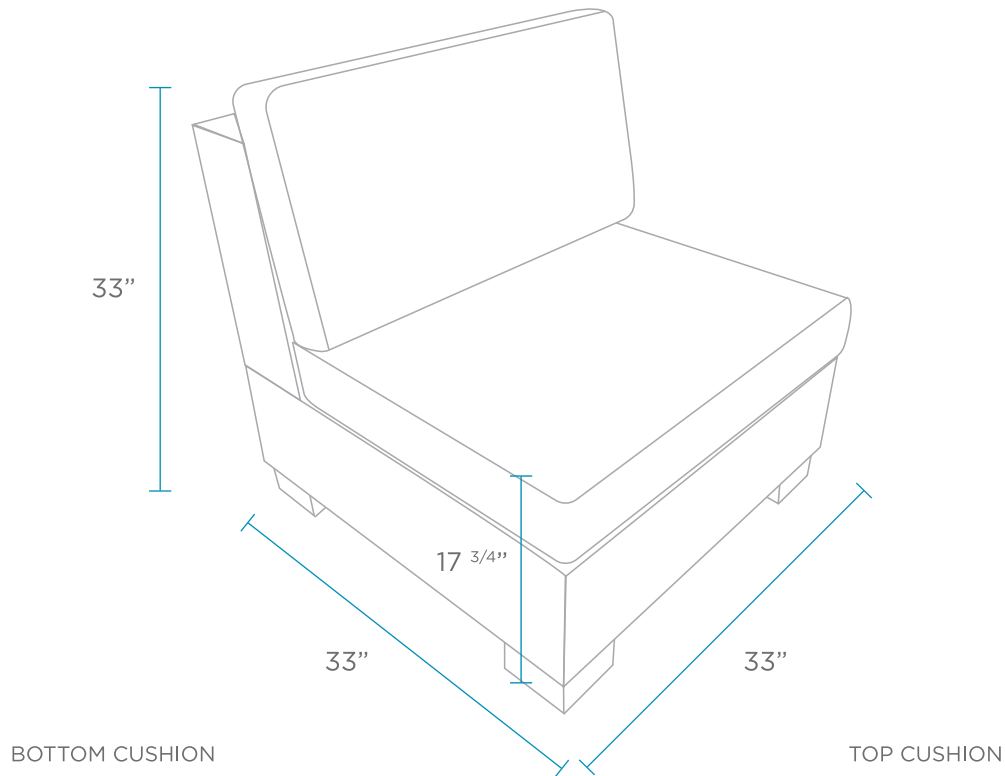


Over 400 fabric options available. See website for details.

SECTIONAL SPECIFICATIONS - MIDDLE

WEIGHT EMPTY: 57 LBS | WEIGHT FULL: 352 LBS

Designed for up to 10" of water or on deck



FEATURES

- Perfect for residential or commercial use
- Built to withstand sun, weather, and chemicals of any aquatic environment
- Two-piece base crafted of an ultra-strong, UV8 rated resin
- Cushions made of high quality, outdoor Sunbrella fabrics and EZ Dri foam core
- Optional threaded plug system for in water or anchored applications
- Connect additional Sectional pieces to the left, right, or front side of the Middle
- Endless reconfiguration possibilities using snap-in-place interlocking system

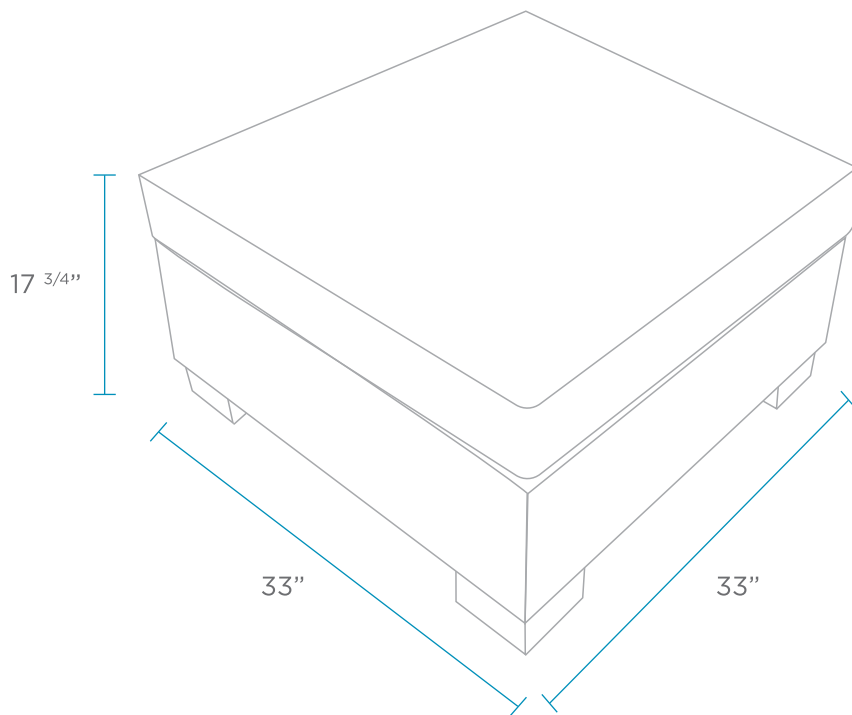
AVAILABLE RESIN COLORS



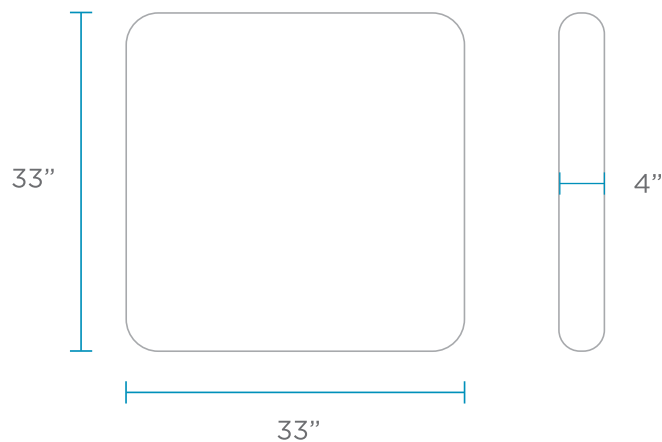
Over 400 fabric options available. See website for details.

SECTIONAL SPECIFICATIONS - OTTOMAN

WEIGHT EMPTY: 38 LBS | WEIGHT FULL: 336 LBS
Designed for up to 10" of water or on deck



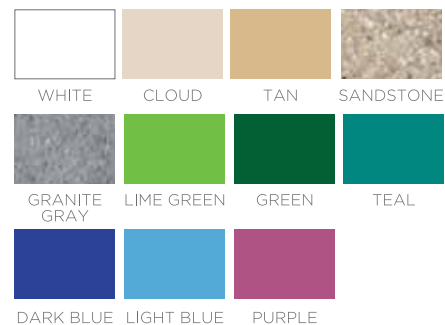
CUSHION



FEATURES

- Perfect for residential or commercial use
- Built to withstand sun, weather, and chemicals of any aquatic environment
- One-piece base crafted of an ultra-strong, UV8 rated resin
- Cushion made of high quality, outdoor Sunbrella fabrics and EZ Dri foam core
- Optional threaded plug system for in water or anchored applications
- Connect additional Sectional pieces to any side of the Ottoman
- Endless reconfiguration possibilities using snap in place interlocking system

AVAILABLE RESIN COLORS



Over 400 fabric options available. See website for details.