



Sanitation made easy



**FEATURES**

For permanent installation in return line on pressure side of pump, downstream of all equipment, in new or existing pools or spas

Clear pipe shows amount of chlorine/ bromine in the unit without removing the lid

Transparent molded UV- and chemical-resistant body

Standard with 2-inch slip PVC fittings and adapters for 1½ inch

Completely enclosed system – no escaping gases, so no special venting is required

50 PSI maximum operating pressure

External fine control valve adjusts the feed rate to meet specific pool or spa needs

Top-load large or small Trichlor or Bromine slow-dissolving tablets for an effective, trouble-free way to sanitize pool or spa

Replacement parts and kits available from ProStar<sup>®</sup> Replacement Parts

1 per case

U.S. patents pending

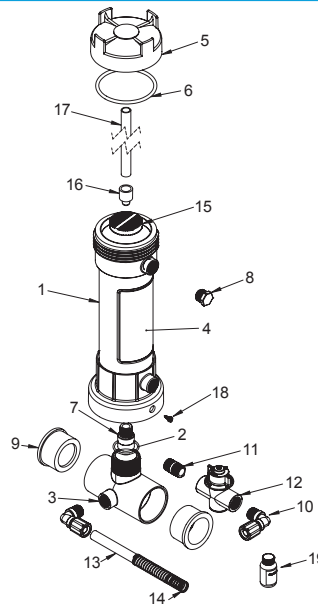
**ChemStar**



Part # CH100CLR

**STANDARD COLORS**

CLEAR



1. body
2. O-ring, #128, viton
3. Diverter tee
4. Label
5. 3" threaded cap
6. O-ring, #343, viton
7. Check valve
8. 1/2" MPT PVC plug
9. 2" x 1-1/2" S x S bushing, qty 2
10. 1/2" NPT x tube fitting with nut, qty 2
11. 1/2" x short MPT nipple
12. 1/2" chlorine control valve
13. 5/8" OD chlorinator tube
14. Tube support spring
15. Screen
16. Standpipe adapter
17. 5/8" OD 18" tube (optional top feed)
18. #8 x 1/2" lg slotted hex head screw
19. O-ring silicone lube