



Built in conformance with NSF 50 and SPS 3 standards



## FEATURES

- Adjustable collar
- New weir clip lock secures the clips in the weir door
- Weir plate with easy snap in and out locks
- Self-contained gunite grip, water stop on face plate to prevent water leaks
- Large self-contained basket with lock-in feature (will not float)
- Pre-installed O-ring for float assembly
- Underwater dampers on face plate for noise reduction on weir plate – especially on windy days
- Super strong engineered polymer upper housing
- Extra heavy duty PVC lower unit (no transitional glue required)
- 2½" outside slip and 2" inside slip (outside skimmer)
- 2" threads for pressure testing (inside skimmer)
- Built-in overflow or fill line knock out
- Upper housing has pre-cut rebar cut outs with pre-drilled holes for tie wire
- Additional box inside skimmer box for basket, float assembly and weir plate (so assembly does not get lost on job site)
- Skimmer Lid and Collar G154 UV tested
- NSF 50 approved for commercial use, 25 GPM min, 55 GPM max – approved for residential use up to 100 GPM
- Optional custom name/logo engraved on lid (requires minimum 100 piece lid order)
- 1 per case

Available with three lid options:  
round, square or snap-in round/square



Part # SKR1xx-OZ

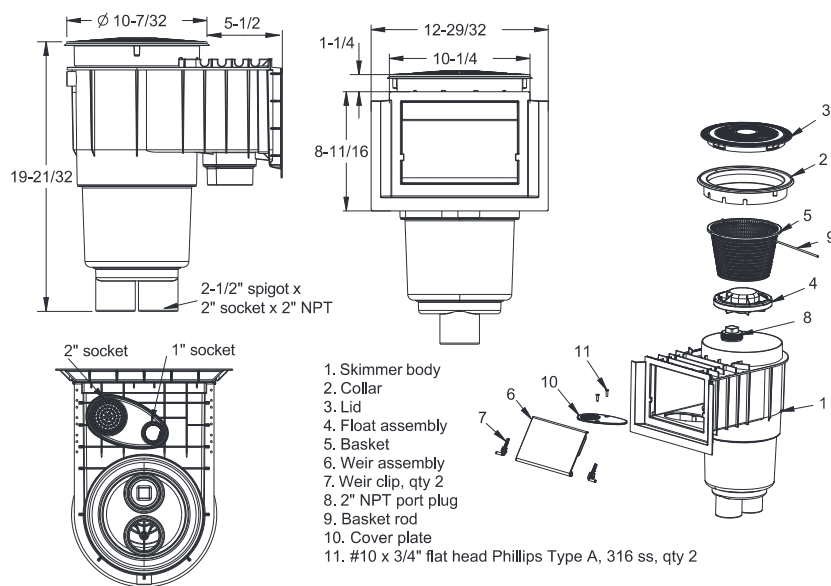
## STANDARD COLORS

- SKR101-OZ – White
- SKR102-OZ – Black
- SKR103-OZ – Light Gray
- SKR104-OZ – Blue
- SKR105-OZ – Dark Gray
- SKR108-OZ – Tan

Snap-in Round/Square Lid and Collar  
(sold separately) p/n SK65xxx

Square Lid and Collar (sold separately)  
p/n SK64xxx

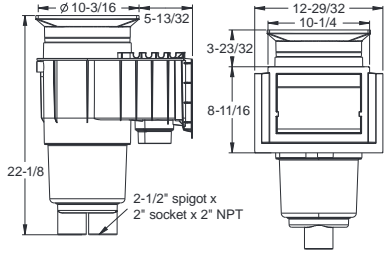
**SPS 3 & NSF 50 Compliant**



# SKIMMER OPTIONS

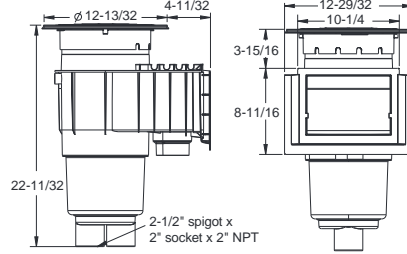
STANDARD COLORS  101  102  103  105  108

## Standard Waterstop Face Round/Square Snap-in Lid



SK65xxx Snap-in Round/Square Lid and Collar (sold separately)  
 SKR1xx-OZ with Float Assembly and new Ozone Port Dual Bottom Port 2 1/2" Spigot x 2" Socket

## Standard Flush Face Round/Square Snap-in Lid



SK65xxx Snap-in Round/Square Lid and Collar (sold separately)  
 SKR2xx-OZ with Float Assembly and new Ozone Port Dual Bottom Port 2 1/2" Spigot x 2" Socket

# SKIMMER INSTALLATION

