



# THE CITY 2 SLIDE™

## Assembly & Installation Instructions



**IMPORTANT**  
These instructions must remain with the slide owner!

Visit [inter-fab.com](http://inter-fab.com) to view our installation help video.  
(Video does NOT replace installation instructions.)

**⚠ WARNING** **IMPORTANT INSTALLATION INFORMATION**

The installation of this product should be done only by a licensed and professional installer. Installation should be done strictly in conformance with all local building codes, electrical codes and other building and safety laws and regulations. Among other things, that your installer should carefully analyze the need to bond the product to prevent an electrical hazard. Failure to properly install this product could result in a dangerous condition, including but not limited to electrical or structural hazards. Inter-Fab, Inc. disclaims all liability arising from the installation and the user assumes all risk associated with the installation.

**INTER-FAB, INC. 3050 S. ALVERNON WAY • TUCSON, AZ 85713**  
**520.790.7040 • 800.737.5386 • FAX 520.790.7127 • [inter-fab.com](http://inter-fab.com)**

**TABLE OF CONTENTS:**

Intended Use Instructions .....2

Water Safety Envelope.....3

Slide Footprint Diagrams.....4

Slide Position Diagrams .....5

Step 1 .....6

Step 2 .....7

Step 3 .....7

Step 4 (A).....8

Step 4 (B) .....8

Step 5 .....9

Inspection Check List.....10

Slide Care & Maintenance.....10

Paver Kit Information.....11-12

Exploded View of City 2 Slide .....13

Parts List (corresponds with exploded view).....14

Hardware Parts List.....15

Pages for Notes .....16-17

Inter-Fab Limited Warranty.....18

**WARNING** INTENDED USE INSTRUCTIONS

1. Everyone who uses this slide must know, understand and follow these instructions.
2. The ANSI/NSPI-4 2007 standard for above ground pools prohibits the use of slides or diving boards on above ground pools.
3. **This slide is designed for residential inground pool use ONLY. This slide may not be used on any above ground pool. Such use of this slide may result in serious injury or death.**
4. This slide should never be installed on above ground pools, ponds, floating docks or platforms, boat docks or houseboats or any natural body of water.
5. This slide should never be installed on any commercial, public or semi-public pool.
6. Be familiar with the shape and depth of the pool before you slide. This slide should only be used with the proper water safety envelope, as described in Diagrams A, B, and C on page 3 and in accordance with the slide positioning instructions, as described in Diagrams D and E on page 4.
7. Because the slide may only be used in water 4' deep or greater, all slide users must be able to swim in deep water.
8. Weight limit for this slide is 225 pounds, no slider weighing more than 225 pounds may use this slide.
9. The surface of the slide is very slippery when wet; **USE CAUTION** when entering the slide and when transitioning from standing to sitting.
10. Slide in a feet first sitting position **ONLY**.
11. **IMPORTANT: sliding headfirst is prohibited:** serious spinal injury resulting in paralysis or death can result.
12. Maintain adult supervision at all times.
13. Only one person at a time is allowed on the slide; this includes the ladder.
14. Be sure the water delivery system is on and lubricating the slide prior to use.
15. Collision with another swimmer or a diver can result in serious injury or death for one or both persons: Before sliding, always make sure that the path in front of the slide is free from any (including submerged) obstructions, including other people or objects in the pool such as rafts, inner tubes etc. When a diving board is also present, make sure you do not use the slide while someone is on or using a diving board. Take turns.
16. No roughhousing or horseplay should be allowed on the slide at any time.
17. Do not stand, jump or dive from any part of the slide.
18. Do not slide on objects such as rafts or inner tubes. doing so greatly increases your risk of injury.
19. Do not slide through or at objects such as rafts or inner tubes, doing so greatly increases your risk of injury.
20. Do not use this slide if physically impaired or handicapped without your doctor's permission.
21. Do not use this slide with a history of heart conditions, seizures, back problems, fainting or fear of heights.
22. Do NOT use this slide if you are pregnant.
23. Do not drink alcohol and use this slide.
24. Don't take chances, inspect the slide at least once a year (see the slide inspection list on page 11). Do not use the slide if any part becomes loose, damaged, weakened or broken. If necessary, before using the slide again, have it inspected and repaired by a competent professional familiar with pool slides.

**WARNING: SERIOUS INJURY OR DEATH CAN RESULT FROM THE IMPROPER INSTALLATION OR USE OF THIS SLIDE.**

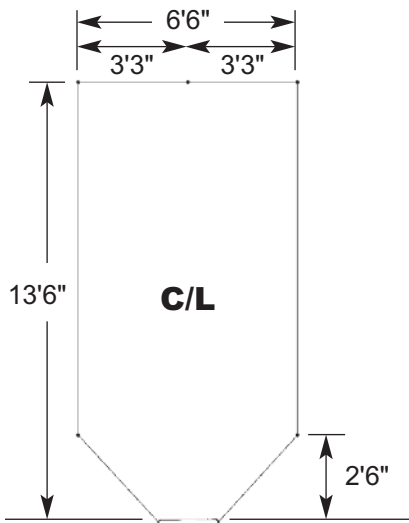
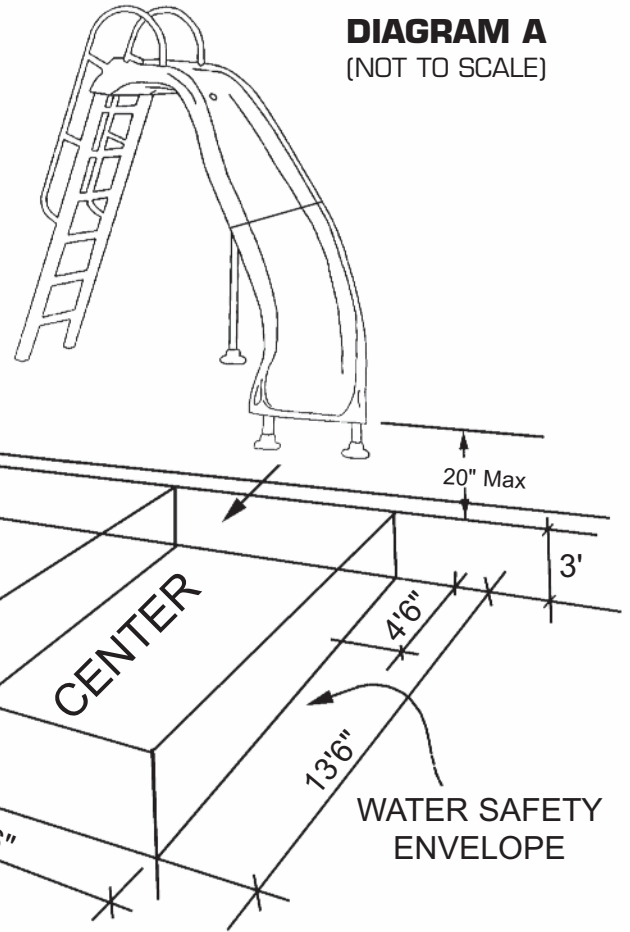


**When installed according to these instructions, this slide conforms to Consumer Product Safety Standard Guidelines.**

**WATER SAFETY ENVELOPE:**

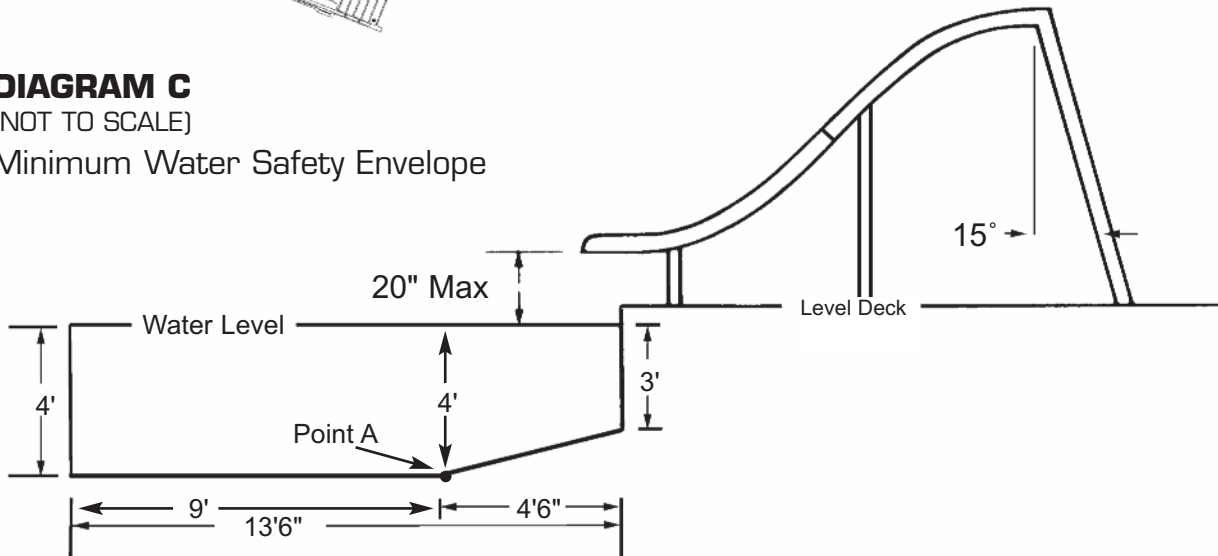
A minimum water depth of three feet (3') under the exit of the slide which increases to a depth of four feet (4') at point A which is located four feet six inches (4'6") from the back wall of the pool. A minimum depth of four feet (4') must be maintained at a distance of nine feet (9') along the centerline of the slide from point A. The above described water depth profile shall extend a minimum of three feet three inches (3'3") on either side of the centerline of the slide. (See Diagrams A, B & C)

**DIAGRAM A**  
(NOT TO SCALE)



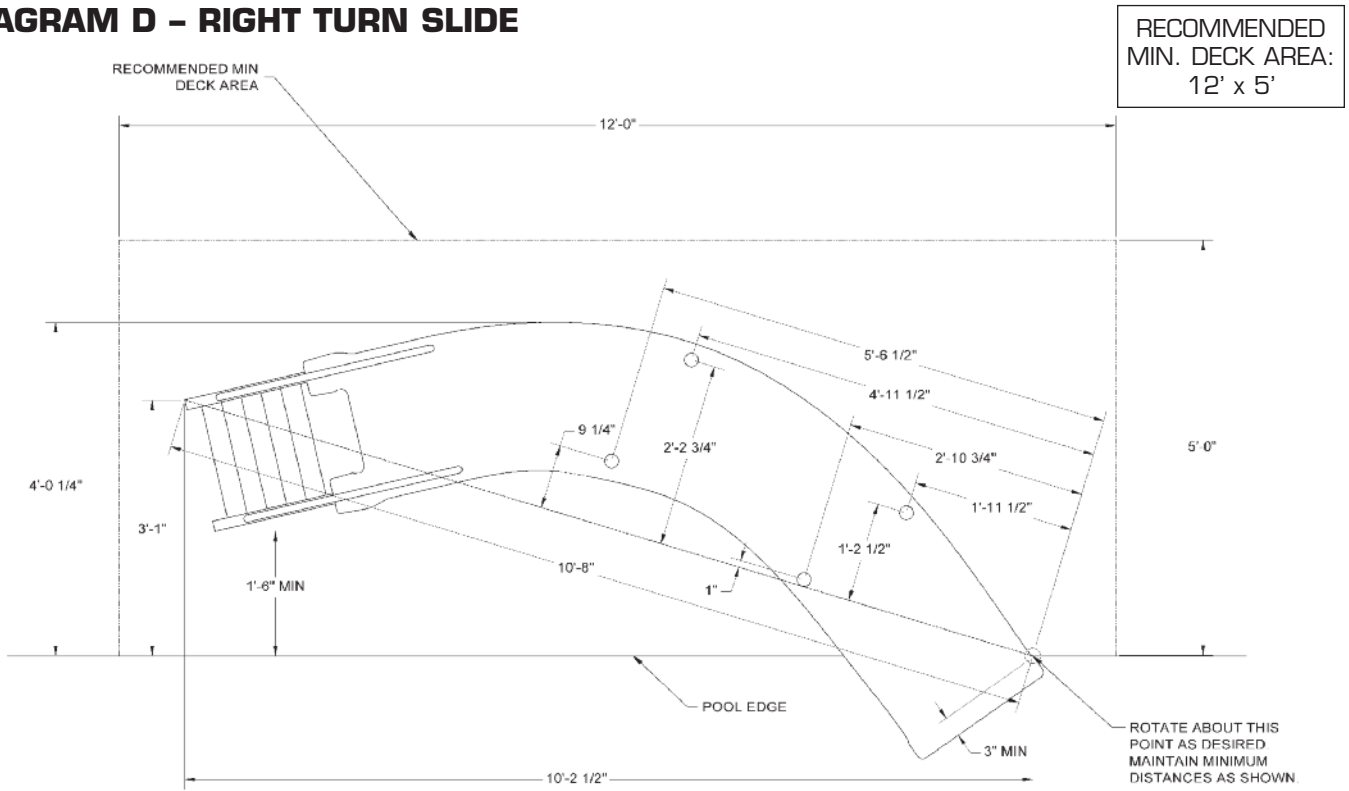
**DIAGRAM B**  
(NOT TO SCALE)  
Minimum Slide  
Clearance Area

**DIAGRAM C**  
(NOT TO SCALE)  
Minimum Water Safety Envelope

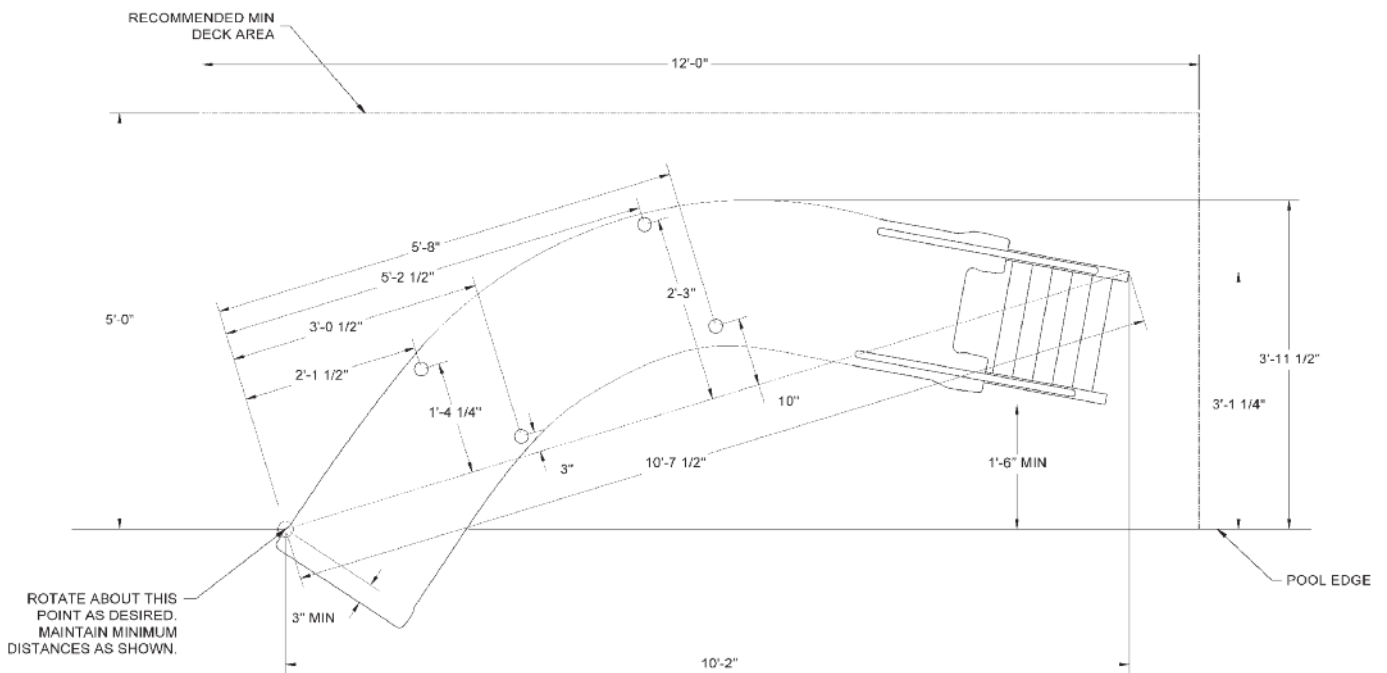


# SLIDE FOOTPRINT DIAGRAMS

**DIAGRAM D – RIGHT TURN SLIDE**



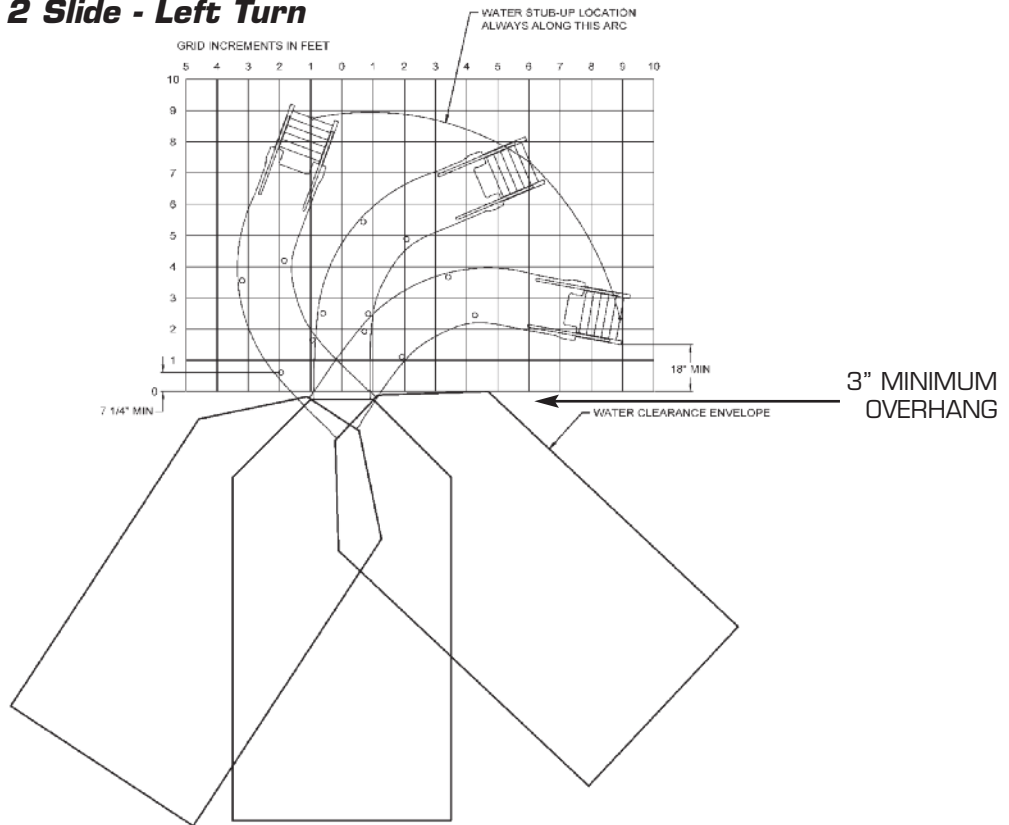
**DIAGRAM E – LEFT TURN SLIDE**



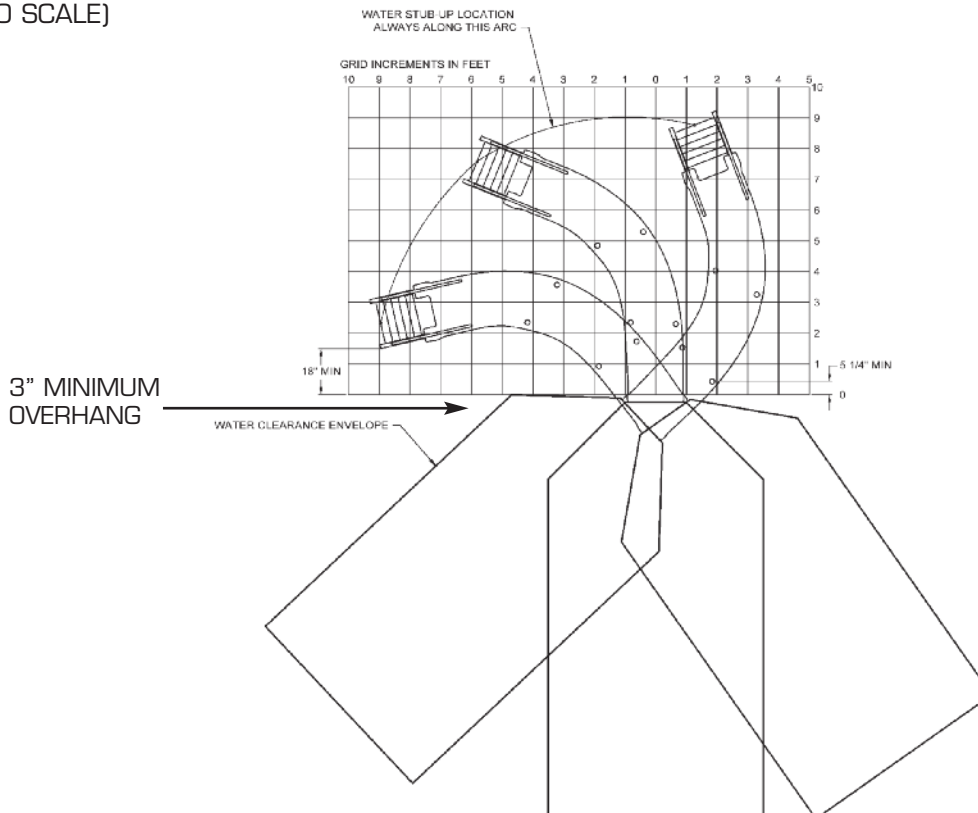
**NOTE:** FINAL POSITION MUST ENSURE THAT ALL WATER FALLING OFF SLIDE LANDS IN POOL. DIMENSIONS MAY VARY FROM SLIDE TO SLIDE. IT IS RECOMMENDED THAT THE FULLY ASSEMBLED SLIDE BE USED AS A TEMPLATE FOR INSTALLATION.

# SLIDE & WATER STUB-UP PLACEMENT DIAGRAMS

**DIAGRAM F - City 2 Slide - Left Turn**  
(NOT TO SCALE)



**DIAGRAM G - City 2 Slide - Right Turn**  
(NOT TO SCALE)



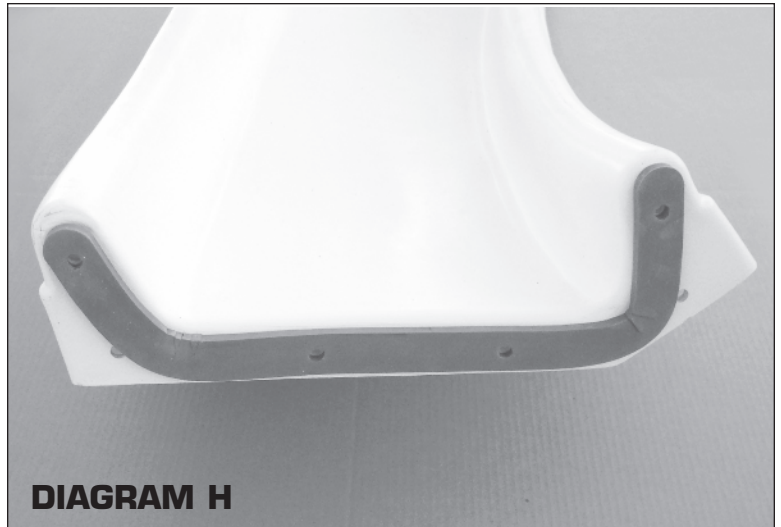
**STEP ONE:**

**FLUME ASSEMBLY**

Open box and remove slide components and parts pack.

Flatten box and use it as a protective surface to avoid scratching the acrylic parts.

Turn flume sections upside down, check flume gasket integrity. (Diagram H)



**DIAGRAM H**

Align bolt holes on the flanges.

Use vice grips to hold halves together. (Diagram I)



**DIAGRAM I**

**Use a small dab of anti seize lubricant (included) on the bolt threads.**

Insert bolts – hardware kit CS-102-SS, flume to flume. (Diagram J)

NOTE: (Hardware Order: bolts/washers, slide flange/slide flange, washers/nuts.) Check flume at inside seam for even fit.

**HAND TIGHTEN ONLY.**



**DIAGRAM J**

**STEP 1**

Pre-assemble wedge, round-to-flat connector and carriage bolt as shown.



**STEP 2**

Insert assembly into handrails as shown, until shoulder portion of connector seats against end of tubing, tap connector into place if needed.



**STEP 3**

Hold connector tight inside handrail, then pull bolt away from handrail to lock wedge into anchor.

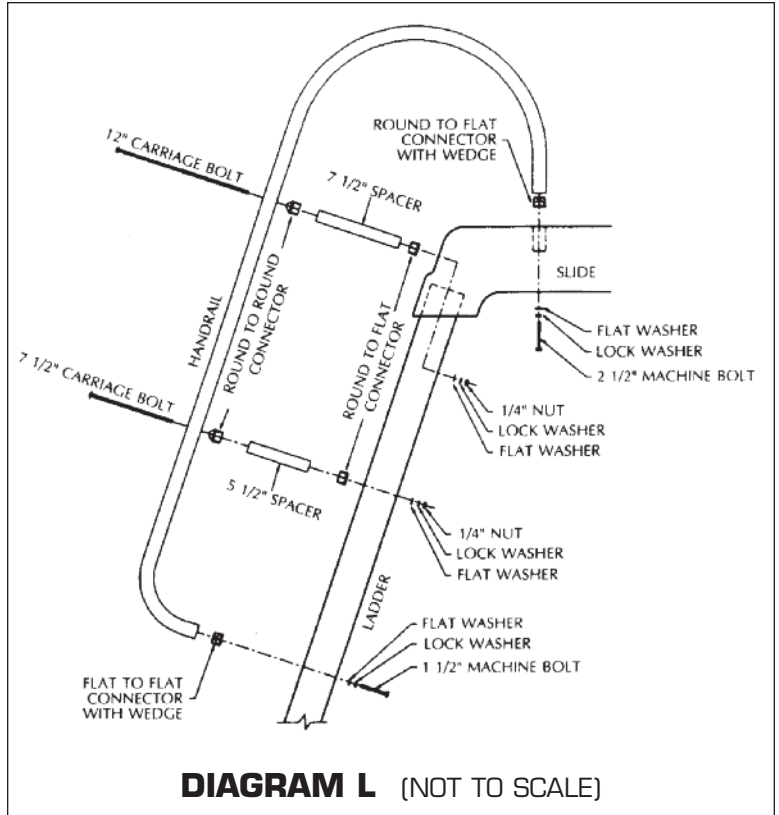


**STEP 4**

Remove carriage bolt and repeat steps 1-3 for each end of both handrails.



**DIAGRAM K** (NOT TO SCALE)



**DIAGRAM L** (NOT TO SCALE)

## INSTALLATION MUST MEET ALL NATIONAL & LOCAL BUILDING CODES

### STEP TWO:

#### Handrail Pre-Assembly Procedure

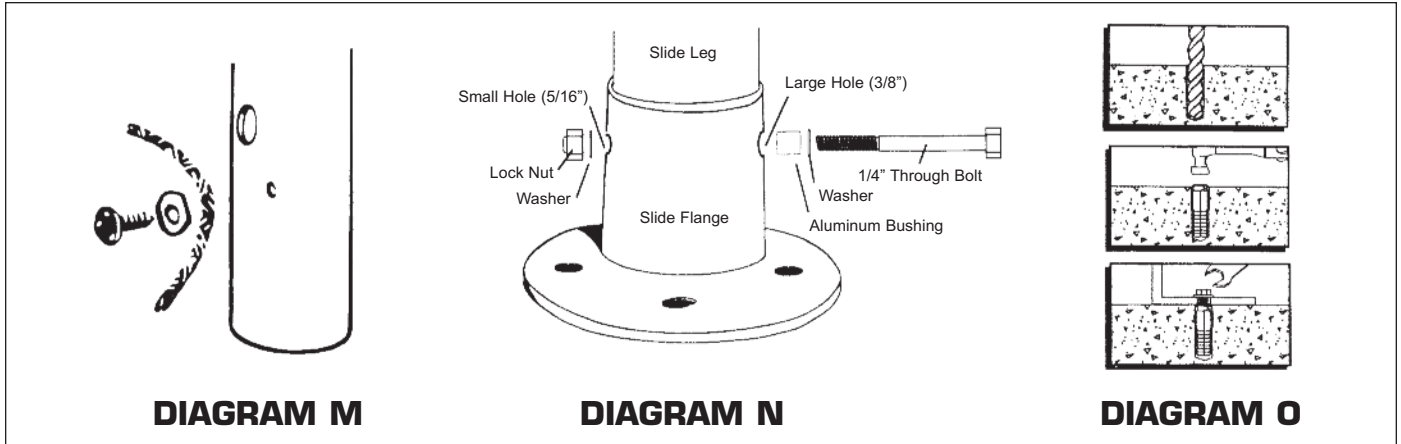
1. Pre-assembled wedge, round to flat connector and carriage bolt as shown in Diagram K above.
2. Insert the assembly from step 1 above into the handrail as shown in the Diagram above by sliding a round to flat connector into the handrail opening until the Shoulder portion of the connector seats against the end of the tubing. The Connector may have to be tapped into place.
3. With one hand hold the connector tight inside the handrail while pulling the carriage bolt away from the handrail locking the wedge into the connector.
4. Remove the carriage bolt.
5. Repeat steps 1 through 4 on each end of both handrails.

### STEP THREE:

#### Slide Assembly Procedure

1. Slip the two short legs over the 2 aluminum projections on the underside of the Lower Flume. NOTE: The shorter of the two legs will go on the projection on the inside of the flume curve.
2. Using two people and while holding the two legs in place, turn the slide over.
3. One person must now hold the slide at its normal height while the second person installs the two long legs and inserts the ladder (squared end) snugly into the mating slots on the underside of the Upper Flume. See Diagram L above.
4. Insert a handrail into the 1-1/16" (2.56 cm) diameter hole on the top of the slide runway, at the same time ensure the predrilled holes in both the handrail and ladder are aligned. See Diagram L above. Install one 7-1/2" (19 cm) aluminum spacer between the top set of predrilled holes and secure with a 1/4" x 12" (.64 x 30.5 cm) bolt, flat washer, lock washer, and 1/4" (.64 cm) nut. Repeat this process for the second set of holes from the top utilizing the 5-1/2" spacer and secure with 1/4" x 7-1/2" (.64 x 19 cm) bolt. Secure the bottom of the handrail with a 1/4" x 1-1/2" (.64 x 3.8 cm) hex head bolt.
5. Repeat 1 through 3 for the other handrail.
6. Align flume sections and tighten flume bolts that were "hand tightened" only in step one. Place protective caps on bolt heads and nuts.





**DIAGRAM M**

**DIAGRAM N**

**DIAGRAM O**

**ELECTRICAL BONDING:** Electrical bonding is required and slide must be installed in accordance with your local code. Bond each tubular leg by placing a bonding wire between the leg and the bonding washer and secure with a self tapping screw. See Diagram M above. Bond the handrails by placing the bonding wire under the lowest washer & nut on each side of the ladder and run the bonding wires down the inside of each ladder leg.

**STEP FOUR (A):**

**INSTALLING SLIDE PRIOR TO POURING DECK**

Position the slide relative to the pool wall per the slide placement instructions shown in Diagrams D and E, ensuring that the minimum water safety envelope is maintained as shown in Diagrams A, B & C. Position slide so that the legs and ladder bottoms will be 4" (10 cm) below the finished grade.

Utilizing a 1/2" diameter drill enlarge the holes at the bottom of each slide leg and insert a 6" length of 3/8" diameter rebar through each hole.

Once the correct slide location has been determined install a 1/2" (stub-up) from the pool return. The stub-up should be located near the inside right side ladder leg, at least 2" in front of ladder towards pool. Installing a 3 way valve between the stub-up and the slide plumbing is suggested.

Level top surface of the slide exit runway. Level the top of the slide in both directions. Level the ladder using a level on any step. Ensure that the ladder is sloped 15 degrees from vertical (see Diagram C) then, should no vertical adjustment of the slide legs be required, drill a small pilot hole, then screw one 14 X 1 self tapping screw through each leg (approx. 1" below the top of the leg) into the leg spud; otherwise, move the legs in relation to the spuds until proper leveling is obtained before inserting the screws.

Secure the slide so it will not move while the deck is being poured. TIP: to allow for easy removal of concrete from the ladder and legs apply a heavy coat of wax or wax paper approximately 1 foot above the deck surface. Allow concrete to cure for 24 hours prior to using the slide.

**NOTE: YOU WILL CHOOSE TO EITHER FOLLOW STEP FOUR A OR B DEPENDING ON WHETHER THE SLIDE WILL BE AN IN-DECK OR ON-DECK INSTALLATION. INTER-FAB CANNOT/DOES NOT GUARANTEE THE**

**STEP FOUR (B):**

**INSTALLING SLIDE USING DECK FLANGES (SOLD SEPARATELY)**

Position the slide relative to the pool wall per the slide placement instructions shown in Diagrams D and E, ensuring that the minimum water safety envelope is maintained as shown in Diagrams A, B & C.

Once the slide is properly positioned, place a deck anchor over each slide leg and using the 4 holes on each flange as a template drill four 1/2" diameter holes into the deck to a depth of 2 1/2". Insert the anchor into the hole until it is flush with the surface. Position the flange, insert the lag bolt and tighten. (see Diagram N & O above)

Ensure that the ladder is sloped 15 degrees from vertical (see Diagram C) then, using the 2 holes on each ladder foot as a template drill 1/4" holes 2" (5 cm) deep. Drive 2 anchor stud bolts into the ladder leg positions so that 1/2" (1.3 cm) of the studs project above the deck and unscrew the nuts from the anchors. Place the slide so the legs drop into the deck anchors and the ladder legs locate over the stud anchors, secure the ladder leg nuts onto the anchors.

Once the slide legs are within the deck flanges (ignoring the existing holes in the slide legs) drill a 1/4" hole into the slide leg through the center of the large 3/8" hole in the deck flange. Insert the aluminum bushing into the hole in the flange until it hits the slide leg, now insert the bolt thru the bushing about 1" into the slide leg. With the bolt in position, drill a 1/4" hole into the slide leg thru the hole in the opposite side of the flange. Push the bolt completely thru the slide leg, add washer and tighten nut.

Level top surface of the slide exit runway. Level the top of the slide in both directions. Level the ladder using a level on any step. Should no vertical adjustment of the slide legs be required, drill a small pilot hole, then screw one 14 x 1 self tapping screw through each leg (approx. 1" below the top of the leg) into the leg spud; otherwise, move the legs in relation to the spuds until proper leveling is obtained before inserting the screws.

**STEP FIVE:**  
**CONNECTING THE WATER SUPPLY**

Feed the 1/2" diameter flex hose (provided) through the slots on the right side of the slide ladder. (Diagram P)



**DIAGRAM P**

Use PVC primer and glue to attach the feed hose to the slide fitting. (Diagram Q)



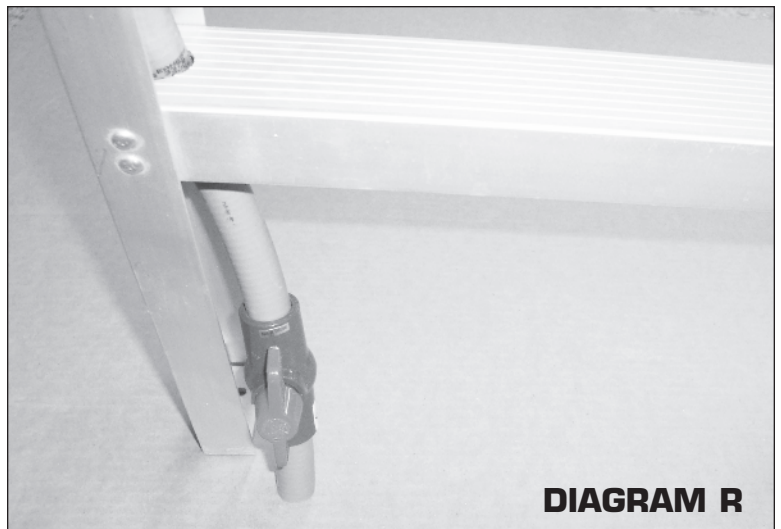
**DIAGRAM Q**

Attach ball valve shut off near deck "stub up". (Diagram R)

Attach hose to deck "stub up" last.

**NOTE: Make sure that the water stub up is at least 2" in front of the ladder (toward pool).**

**Water Supply Includes:** 10' of 1/2" flex PVC pipe, 1/2" on/off ball valve. For best results, use clear glue and primer for plumbing installation.



**DIAGRAM R**

**FINAL INSPECTION CHECK LIST:**

1. INSPECT THE SLIDE FLUMES FOR ANY VISIBLE DAMAGE, CRACKS, OR TEARS.
2. INSPECT THE SLIDE FOR SHARP EDGES, CRACKS, TEARS OR PROTRUSIONS ON THE LADDER, DECK FLANGES, HANDRAILS AND SLIDE FLUMES.
3. INSPECT THE SLIDE FOR ANY LOOSE OR CORRODED HARDWARE.
4. INSPECT ALL SLIDE LADDER TREADS AND STEP ATTACHMENT POINTS FOR ANY SIGN OF BENDING, FATIGUE, SHEARING OR YIELD. A SURFACE OR LADDER TREAD SHOWING SIGNS OF YIELD IS INDICATED BY FINE CRACKING OR CRYSTALLIZATION.
5. INSPECT THE CONNECTION OF THE SLIDE HANDRAILS FOR SECURED FASTENING AND RIGIDITY. PROPERLY ATTACHED HANDRAILS CANNOT BE PULLED AWAY FROM THEIR SOCKETS OR CONNECTION POINTS.
6. MEASURE THE DEPTH OF THE WATER IN FRONT OF THE SLIDE EXIT AND CONFIRM COMPLIANCE WITH DIAGRAMS A, B & C.
7. CERTIFY THE PROPER POSITION OF THE SLIDE EXIT AS SHOWN IN DIAGRAMS D & E.
8. VERIFY THE SLIDE WARNING LABEL IS SECURELY ADHERED TO THE SLIDE.
9. GIVE THESE INSTALLATION INSTRUCTIONS TO THE CUSTOMER AND GO OVER THE **INTENDED USE INSTRUCTIONS** WITH THEM.

**CITY 2 SLIDE™ CARE & MAINTENANCE:**

Your slide requires periodic maintenance to keep it looking like new.

- Wash monthly or more frequently, if needed. Be careful to keep cleaning material from entering the pool.
- Wash with mild soap, such as hand dishwashing soap, and avoid using strong cleaners or abrasives. Avoid strong alkaline (such as tri-sodium phosphate) or highly acidic cleaners. Avoid bleach and ammonia.

**\* These suggestions and data based on information believed to be reliable, from our raw materials manufacturers. They are offered in good faith, but without guarantee, as conditions and methods of use and procedures are beyond our control.**

**PAVER KIT INFO - CITY 2 SLIDE**

When installing an Inter-Fab City 2™ slide using a paver kit, you must ensure that all standard installation requirements are met. The slide must be compatible with the type of pool on the intended installation and all ANSI/APSP/ICC-5 2011 requirements must be met. Refer to installation manual.

Figure 1 illustrates an example of the minimum concrete pads recommended for the City 2™ slide. Specific slide position and concrete pad orientations may vary. Make sure to allow for water stub up location near the ladder section of the City 2™ slide when pouring the concrete pad for the ladder section. *In order to ensure proper placement, you will need to set the slide up first to determine where the concrete pillars will be located.*

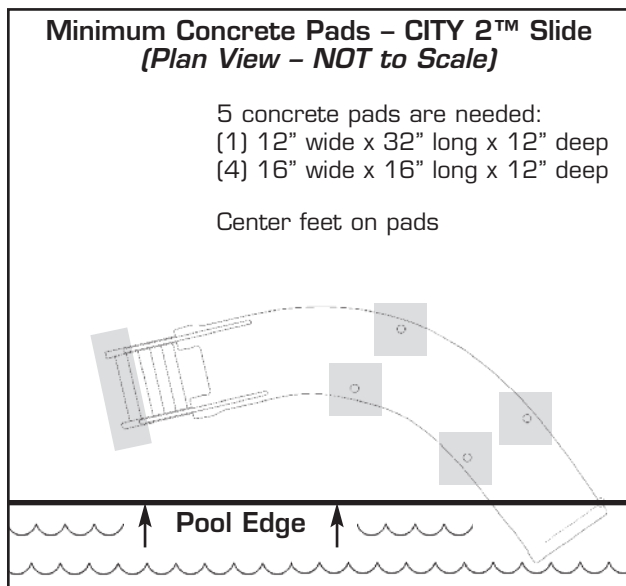
Figure 2 shows a side view illustration of the City 2™ slide foot deck anchor and wedge anchors used in a paver installation. **NOTE: 4 ea. CITY-DECK ANCHOR are also required (not included with slide or paver kit) to complete the City 2™ paver installation.** Pavers can be a maximum of 3" thick. Pavers must be mechanically attached to the concrete pad using a setting material (such as mortar or thinset for example) that is no thicker than 3/8".

1" of each 3/8" x 7" wedge anchor (18 ea.) needs to be exposed above the final deck surface. The 3/8" wedge anchors must be drilled to a depth of 6" with 1" of the bolt left remaining above the final deck surface. The 3/8" x 7" wedge anchors (16 ea.) replace the 5/16" lag bolts and lag shields (16 ea.) included with the required CITY-DECK ANCHOR parts (4 ea.), one set per leg. *See Figure 3.* The remaining 3/8" x 7" wedge anchors (2 ea.) are used (1 per side) to attach the ladder bottom to the concrete pad and replace the 1/4" x 2-1/4" wedge anchors (4 ea.) from hardware kit CS-101-SS.

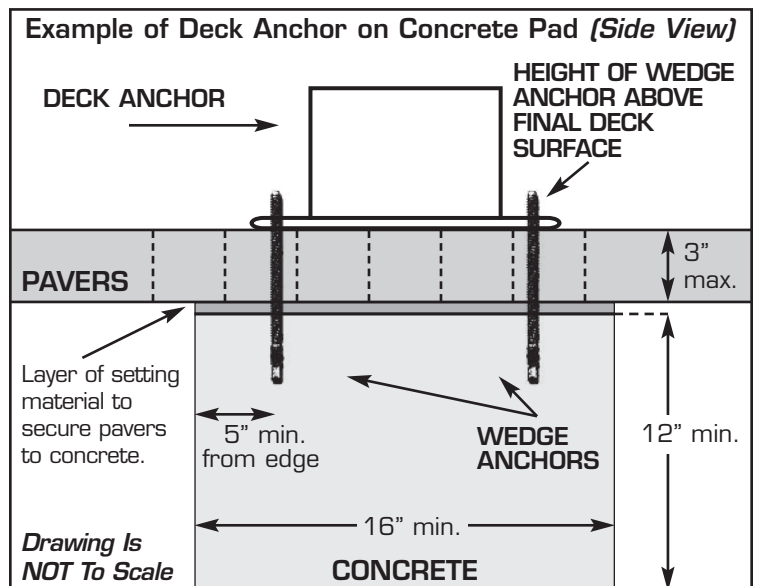
The ladder bottom must have the forward 1/4" hole on each side (toward slide) drilled to 1/2" to accommodate the 3/8" x 7" wedge anchor. The rear 1/4" holes on the ladder bottom are not used with the paver installation. *See Figure 4.* You will need to factor in the thickness of your paver (3" MAX.) and the thickness of your setting material (3/8" MAX.) for your individual installation.

You will need a 3/8" masonry bit and a 1/2" regular bit for the City 2™ slide.

**Inter-Fab Inc. will not be responsible for damage to pavers caused by drilling or mechanically attaching to concrete pad. Refer to paver manufacturer's specific installation instructions before beginning.**



**Fig. 1**

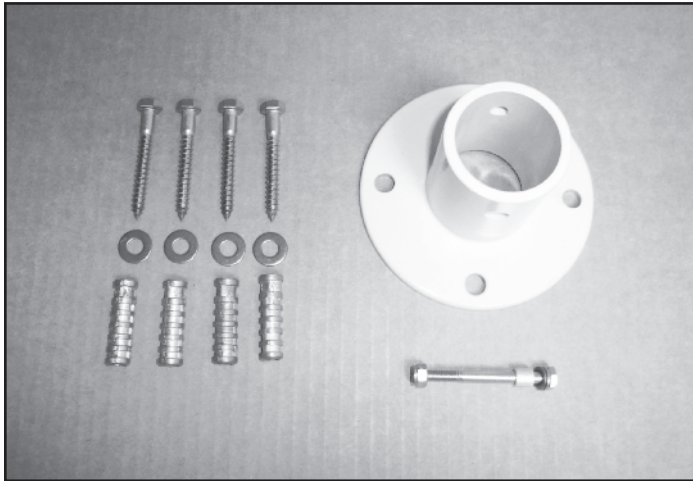


**Fig. 2**

**PAVER KIT INFO - CITY 2 SLIDE - CONTINUED**

You will need a 3/8" masonry bit and a 1/2" regular bit for the City 2™ slide.

*Inter-Fab Inc. will not be responsible for damage to pavers caused by drilling or mechanically attaching to concrete pad. Refer to paver manufacturer's specific installation instructions before beginning.*

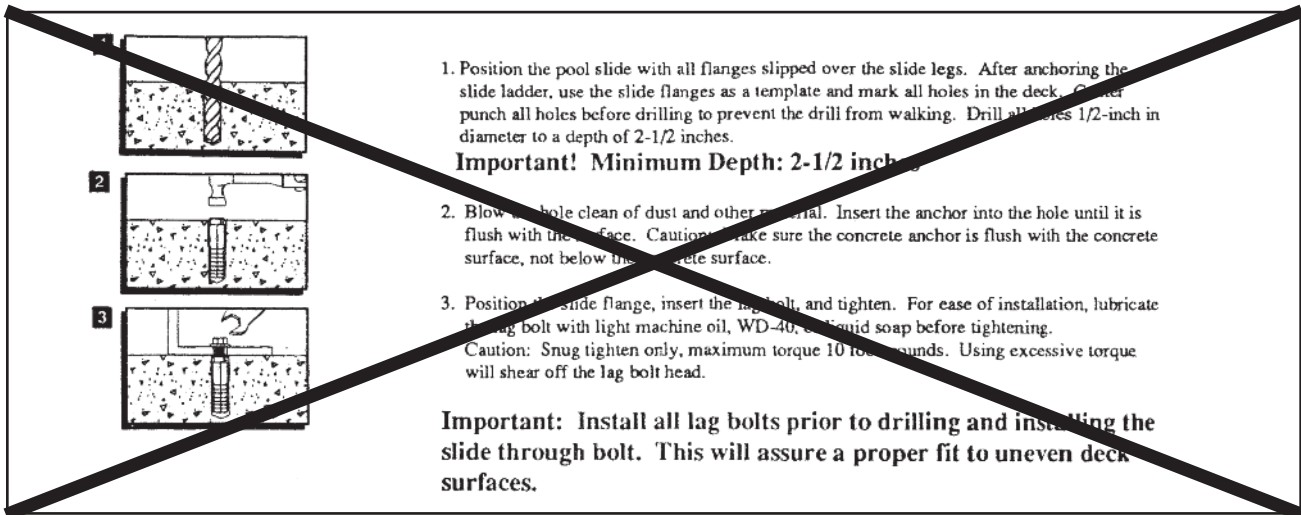


**Fig. 3**



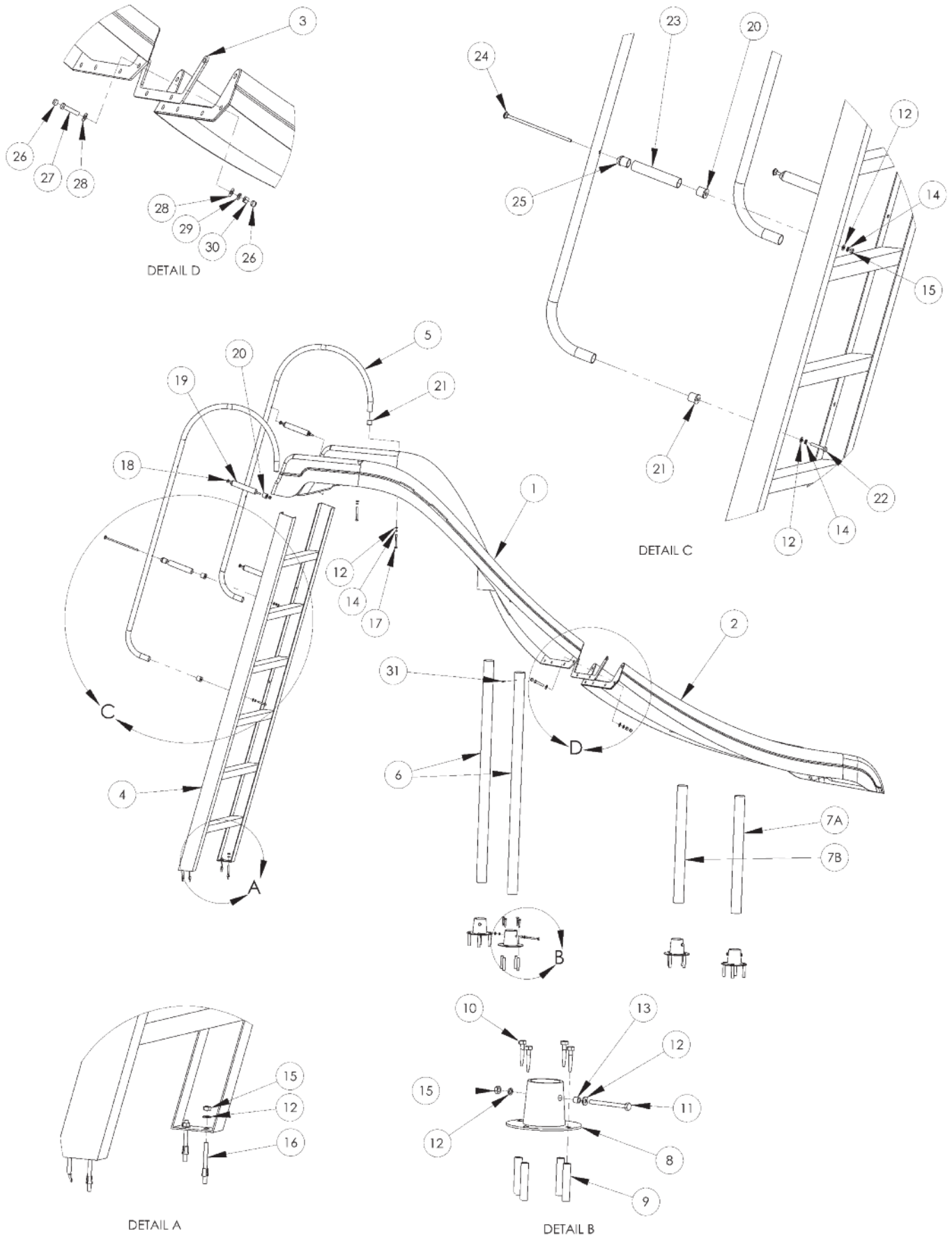
**Fig. 4**

When installing a City 2™ slide using a paver kit, disregard the lag shield instructions that are included with the CITY-DECK ANCHOR. See Figure 5.



**Fig. 5**

## CITY 2™ SLIDE (CITY2-CLW):



## CITY 2™ SLIDE (CITY2-CLW):

**ALL CHART INFORMATION BELOW CORRESPONDS WITH THE DRAWING ON THE PREVIOUS PAGE.**



<b>DRAWING REPRESENTS THE FOLLOWING PART NUMBERS:</b>
CITY2-CL (shown)
CITY2-CR

\* City Slide Deck Anchors are Sold Separately (4 required for a complete City Slide install)

CS-101-SS: Handrails; Ladder to Deck; Leg to Flume  
 CS-102-SS: Flume to Flume

ITEM #	COMPONENT	DESCRIPTION	KITS – QTY. COUNTS				
			CS-101-SS	CS-102-SS	CITY2-PRTS PACK	CITY-DECK ANCH (4)	CITY 2
1	CITY2-URUN	City 2 Upper Runway					1
2	CITY2-LRUN	City 2 Lower Runway					1
3	H-C2 L GASKET or H-C2 R GASKET	Gasket (either right turn or left turn gasket)					1
4	CITY-LADDER	Aluminum Ladder Assembly			1		
5	CITY HANDRAIL	Aluminum Slide Handrails			2		
6	H-45.500 LEG	45.50" Aluminum Slide Leg			2		
7A	H-23.250 LEG	23.25" Aluminum Slide Leg			1		
7B	H-20.500 LEG	20.50" Aluminum Slide Leg			1		
8	CITY-DECK ANCH	Deck Anchor (optional item; ordered separately)					1*
9		5/16" Concrete Insert Lag Shield					4*
10		5/16" x 2-1/2" Hex Lag Screw S.S.					4*
11		1/4" x 3" Hex Bolt S.S.					1*
12		1/4" Flat Washer S.S.	8				4*
13		1/4" x 3/8" Aluminum Bushing					1*
14		1/4" Lock Washer S.S.	8				
15		1/4" Finish Nut S.S.	8				1*
16		1/4" x 2-1/4" Wedge Anchor S.S. w/Washer	4				
17		1/4" x 2-1/4" Tap Bolt S.S.	2				
18		1/4" x 12" Carriage Bolt	2				
19		7-1/2" Aluminum Spacer	2				
20		Round to Flat Nylon Connector	4				
21		Round to Flat Nylon Connector w/Wedge	4				
22		1/4" x 1-1/4" Machine Bolt S.S.	2				
23		5-1/2" Aluminum Spacer	2				
24		1/4" x 7-1/2" Carriage Bolt S.S.	2				
25		Round to Round Nylon Connector	4				
26	H-.562 X .390 CAP	Gray Protective Cap		12			
27	H-SS 3/8 X 1-3/4	3/8" x 1-3/4" Hex Head Bolt S.S.		6			
28	H-SS 3/8 FLT WASHER	3/8" x 1" Flat Washer S.S.		12			
29	H-SS 3/8 LOC WASHER	3/8" Lock Washer S.S.		6			
30	H-SS 3/8 F NUT	3/8" Finish Nut S.S.		6			
31		#14 x 3/4" S.S. Pan Head Screw	8				
32	H-1/2 SPA HOSE	1/2" Spa Hose - 10 ft				1**	
33	H-1/2 BALL VALVE	1/2" On/Off Ball Valve				1**	

\* OPTIONAL - Deck Anchors are Sold Separately. Must order 1 for each slide leg for a total of 4.

\*\* not pictured

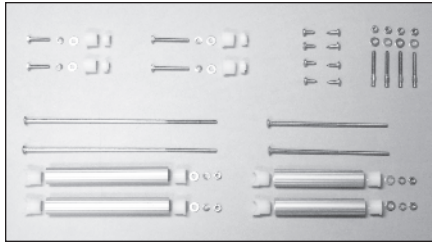
### NOTES:

City 2 Slides available in white, blue, tan and gray.

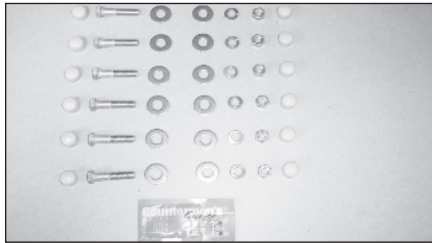
City 2 Slides available in both right and left turns.

Check your local electrical code requirements for bonding requirements.

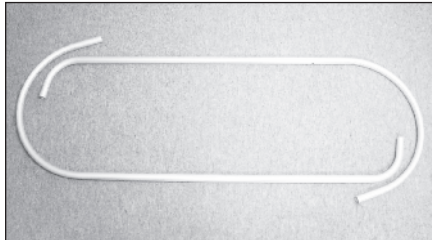
**PARTS LIST:**



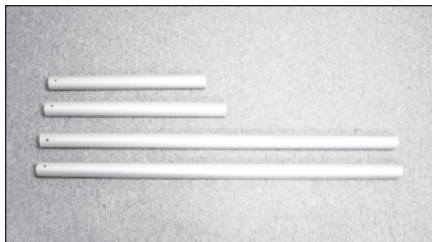
<b>CS-101-SS – LEG AND HANDRAIL HARDWARE</b>	
QTY	COMPONENT DESCRIPTION
2	1/4" x 12" carriage bolt s.s.
2	1/4" x 7-1/2" carriage bolt s.s.
8	1/4" finish nut s.s.
8	1/4" lock washer s.s.
8	1/4" flat washer s.s.
8	#14 x 3/4" s.s. pan head screw
2	1/4" x 1-1/4" tap bolt s.s.
2	1/4" x 2-1/4" tap bolt s.s.
4	1/4" x 2-1/4" wedge anchor s.s.
8	round to flat nylon connector
4	round to round nylon connector
4	nylon wedge connector
2	5-1/2" aluminum spacers
2	7-1/2" aluminum spacers



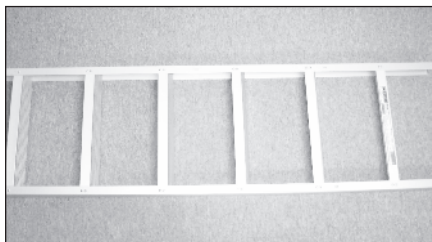
<b>CS-102-SS – FLUME HARDWARE</b>		
QTY	PART NUMBER	COMPONENT DESCRIPTION
6	H-SS 3/8 X 1-3/4	3/8" x 1-3/4" all-thread bolt s.s.
12	H-SS 3/8 FLT WASHER	3/8" x 1" flat washer s.s.
6	H-SS 3/8 LOC WASHER	3/8" lock washer s.s.
6	H-SS 3/8 F NUT	3/8" finish nut s.s.
12	H-.562 X .390 CAP	gray protective cap
1	H-ANTI-SEIZE	one packet of anti-seize bolt lubricant



<b>CITY 2 HANDRAILS</b>		
QTY	PART NUMBER	COMPONENT DESCRIPTION
2	CITY-HANDRAIL	aluminum slide handrails



<b>CITY 2 SLIDE LEGS</b>		
QTY	PART NUMBER	COMPONENT DESCRIPTION
2	H-45.500 LEG	45.50" aluminum slide leg
1	H-23.250 LEG	23.25" aluminum slide leg
1	H-20.500 LEG	20.50" aluminum slide leg



<b>CITY 2 LADDER</b>		
QTY	PART NUMBER	COMPONENT DESCRIPTION
1	CITY-LADDER	aluminum ladder assembly



<b>CITY 2 HOSE AND BALL VALVE</b>		
QTY	PART NUMBER	COMPONENT DESCRIPTION
1	H-1/2 SPA HOSE	1/2" spa hose - 10 ft.
1	H-1/2 BALL VALVE	1/2" on/off ball valve

<b>CITY 2 ON DECK ANCHORS</b>		
QTY	PART NUMBER	COMPONENT DESCRIPTION
1	CITY-DECK ANCH	slide flange with concrete anchors for City 2







## LIMITED WARRANTY

**Inter-Fab, Inc.** will repair or replace, at its option, any product manufactured by Inter-Fab, Inc. that fails during the applicable warranty period because of a manufacturing or material defect; provided that the defect is not the result of improper installation, improper use or care, negligence, alterations or modifications to the product, or natural accidents (acts of God). The applicable warranty period for products manufactured by Inter-Fab, Inc. is three (3) years from the date of retail purchase, except as specified below:

**Echoes of Nature™** products are individually handcrafted and painted by skilled artisans and as a result, dimensional differences and color variations are normal and are not a basis for warranty coverage. The warranty period for pumps sold with the Echoes of Nature™ products is three (3) years from the date of retail purchase.

**Pool Games** equipment warranty periods are as follows: Volleyball Poles, Basketball Poles, Basketball Rim, and Basketball Backboard are one (1) year from date of retail purchase. Volleyball, Volleyball Net, Basketball, Basketball Net, and pumps are warranted for ninety (90) days from date of retail purchase.

The **Board Fall**, **Board Fall-L** (LED), and **Board Fall-F** (fiber optic) water features, used for the **Jump & Splash™**, **T7™** and **aquaBoard™** products, have a warranty period of one (1) year from the date of retail purchase.

**Zoomerang™** slide products warranty period is one (1) year from the date of retail purchase.

**Build Your Own Slide™** (BYOS™), **Build Your Own Slide 2™** (BYOS 2™), **Garden Ride Series™**, **Pool/Spa Table™**, **Pool Seat™**, **Tanning Ledge Table™** and **Pool Lifestyle™** products warranty periods are one (1) year from the date of retail purchase.

**City 2™ Slide** and **City Base™** products warranty period are one (1) year from the date of retail purchase.

Unless expressly stated otherwise all products manufactured by Inter-Fab are for **residential installation (single family residence)** inground pool use only. Inter-Fab, Inc. expressly disclaims any and all warranties and liability arising from the installation or use of its residential products for any non-residential use such as semi-public, public, or commercial applications. Products expressly manufactured for commercial installation and use will be subject to this limited warranty.

This limited warranty is in lieu of all other warranties, whether express or implied. Inter-Fab, Inc. disclaims any warranty of merchantability or fitness for a particular use, and noninfringement in relation to any of its products and Inter-Fab, Inc. is not liable for consequential, incidental or specific damages. This warranty is limited to the repair or replacement of the manufacturing or material defect, or refund of the original purchase price, whichever is less, at the sole option of Inter-Fab, Inc., and expressly does not cover any labor or reinstallation expenses related to the replacement of any and all Inter-Fab products. This limited warranty shall be the sole and exclusive remedy of irrespective of whether the claims are made in contract, tort, warranty, law, equity or by statute.

This warranty is to the original purchaser of the product only. Inter-Fab's limited warranty is neither transferable nor portable from consumer to consumer. The effective coverage date begins at the date of retail purchase. Product owner or representative must notify Inter-Fab, Inc. (or its wholesale agent) in writing, giving a full description of the nature of the product defect or failure along with proof of purchase, serial number(s) of the product and photos within thirty (30) days of the expiration of the applicable warranty period. Inter-Fab, Inc. reserves the right to physically inspect damaged or defective products or components to determine the cause of the damage or defect, prior to authorizing repair or replacement of its products.



**3050 S. ALVERNON WAY • TUCSON, AZ 85713**  
**520.790.7040 • 800.737.5386 • FAX 520.790.7127 • INTER-FAB.COM**