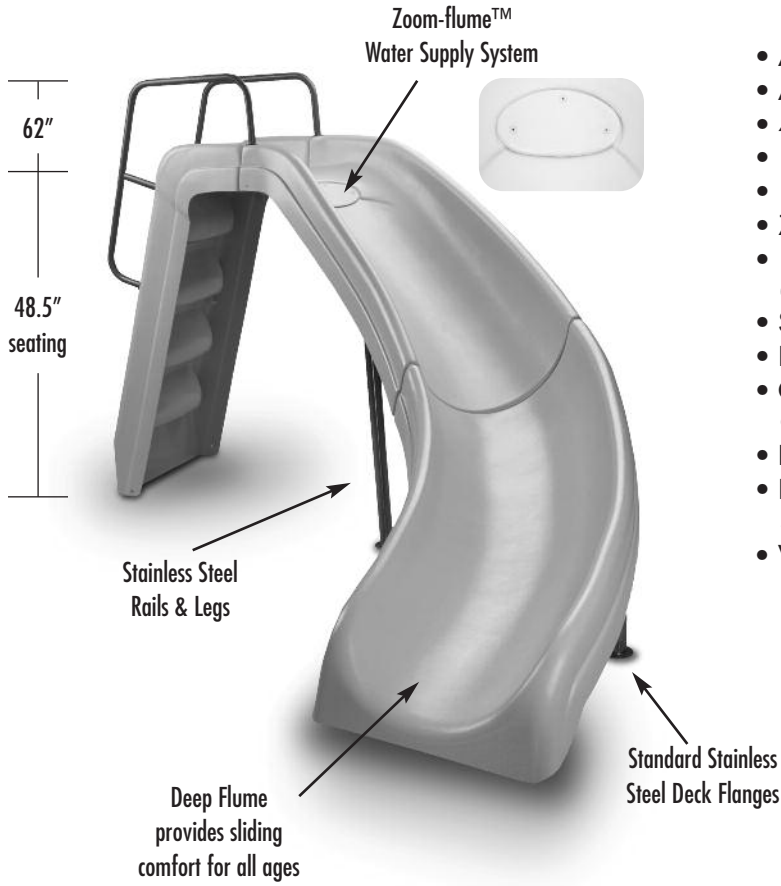


# WHITE WATER™ SLIDE:

RESIDENTIAL SLIDES



## FEATURES:

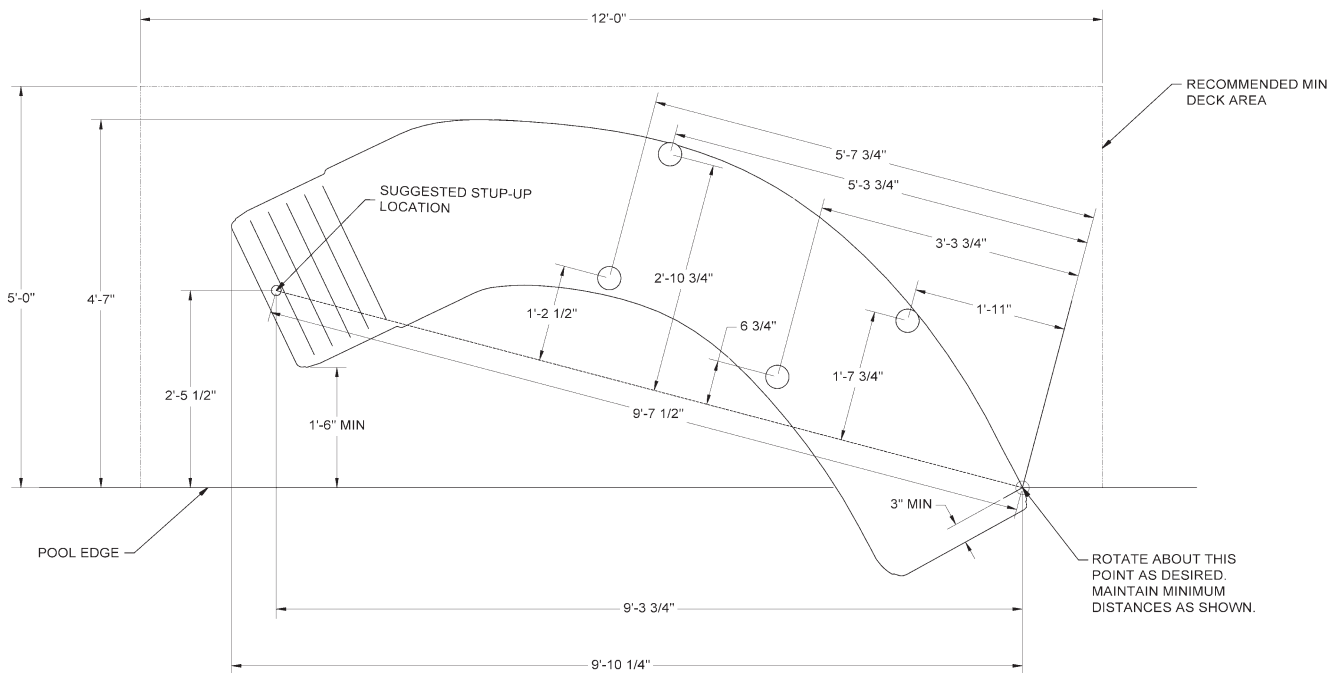
- Durable & Long Lasting Acrylic With Fiberglass Reinforcements
- Available in White, Tan, Gray & Blue
- Available in Right or Left Turn
- 48.5" High at Seating Area
- Flume Width = 22" (centerline)
- Flume Depth = 9.5"
- Zoom-Flume™ Water Supply System
- 15-30 GPM (Actual GPM rating will vary depending on specific pool size and pool equipment used.)
- Stainless Steel Rails, Legs & Hardware
- Exclusive Stainless Steel Deck Flanges
- Optional Powder Coated or Thermo Plastic Coated Rails & Legs
- Discreetly Sits Below a 6' Privacy Fence
- Fully Molded Steps Provide Safe Access to Slide Flume
- Weight Limit = 250 Lbs.

## WHITE WATER™ - RIGHT

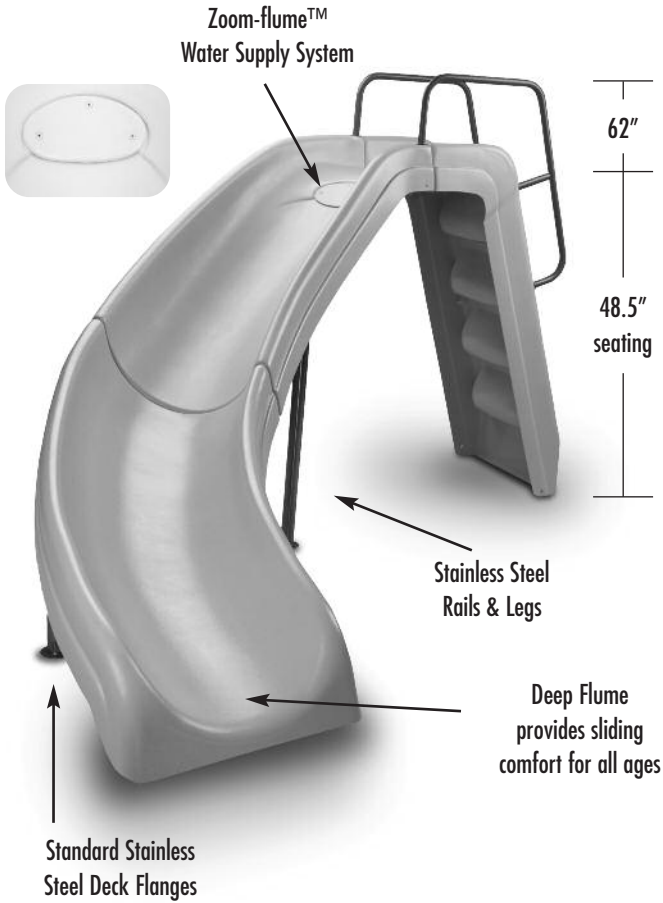
DESCRIPTION	PART NUMBER
White Water Slide - right - white	Part #WWS-CR-SS
White Water Slide - right - blue	Part #WWS-CRB-SS
White Water Slide - right - tan	Part #WWS-CRT-SS
White Water Slide - right - gray	Part #WWS-CRG-SS

comes w/ss hardware

## White Water™ Footprint for RIGHT Turn Slide



# WHITE WATER™ SLIDE:



## FEATURES:

- Durable & Long Lasting Acrylic With Fiberglass Reinforcements
- Available in White, Tan, Gray & Blue
- Available in Right or Left Turn
- 48.5" High at Seating Area
- Flume Width = 22" (centerline)
- Flume Depth = 9.5"
- Zoom-Flume™ Water Supply System
- 15-30 GPM (Actual GPM rating will vary depending on specific pool size and pool equipment used.)
- Stainless Steel Rails, Legs & Hardware
- Exclusive Stainless Steel Deck Flanges
- Optional Powder Coated or Thermo Plastic Coated Rails & Legs
- Discreetly Sits Below a 6' Privacy Fence
- Fully Molded Steps Provide Safe Access to Slide Flume
- Weight Limit = 250 Lbs.

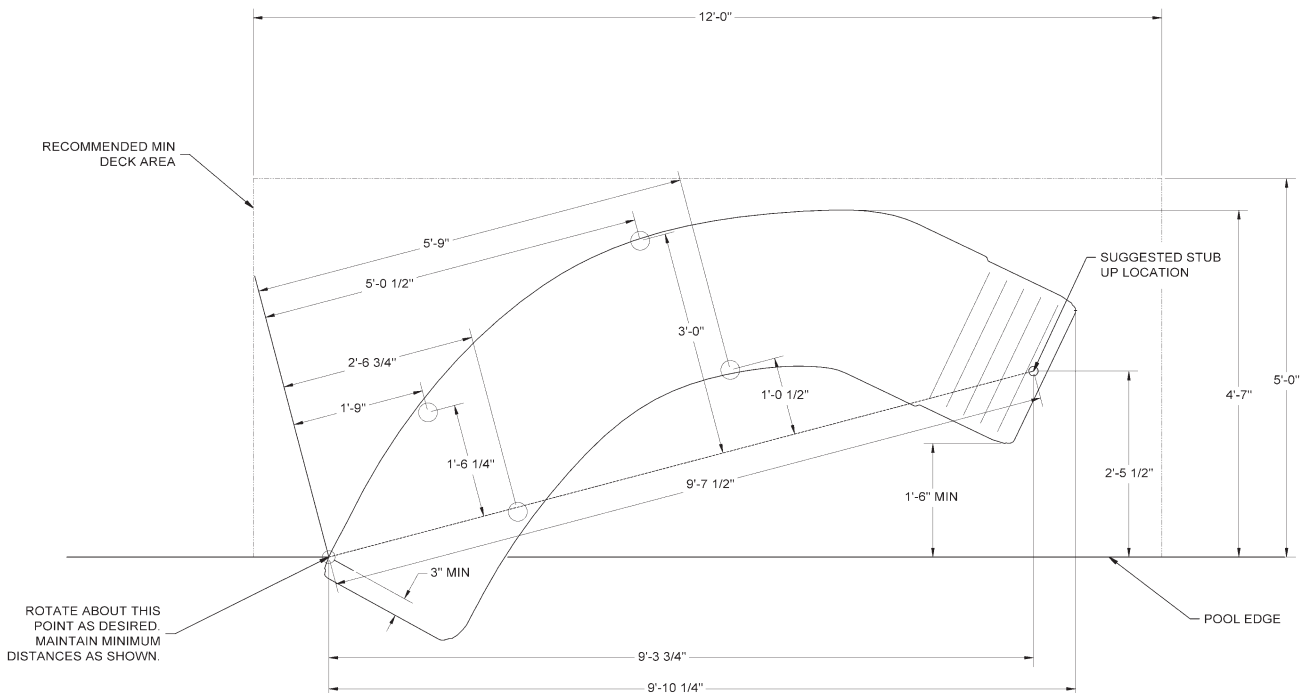
## WHITE WATER™ - LEFT

DESCRIPTION	PART NUMBER
White Water Slide - left - white	Part #WWS-CL-SS
White Water Slide - left - blue	Part #WWS-CLB-SS
White Water Slide - left - tan	Part #WWS-CLT-SS
White Water Slide - left - gray	Part #WWS-CLG-SS

comes w/ss hardware

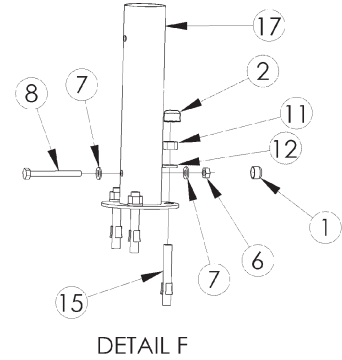
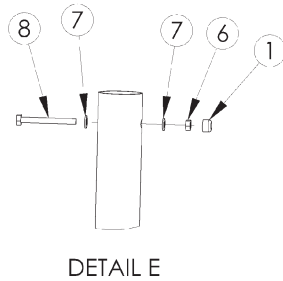
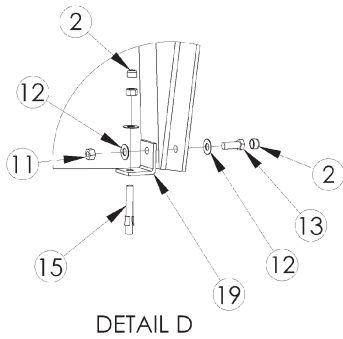
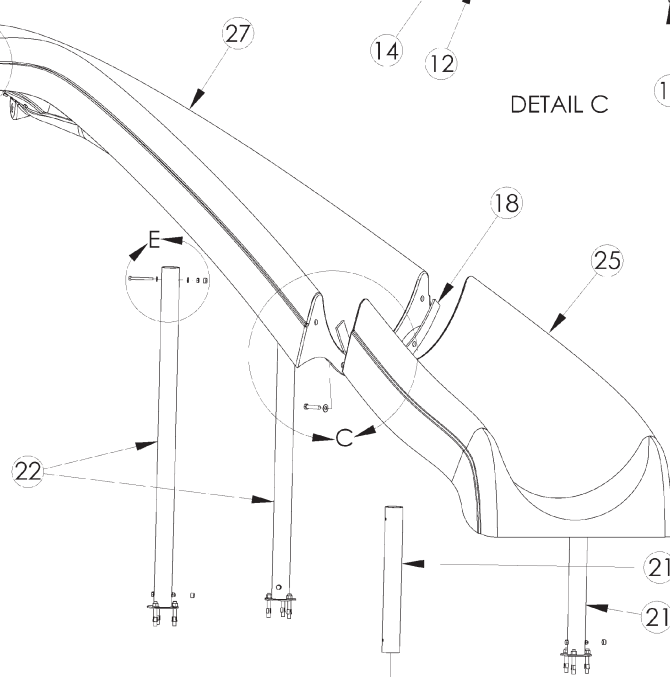
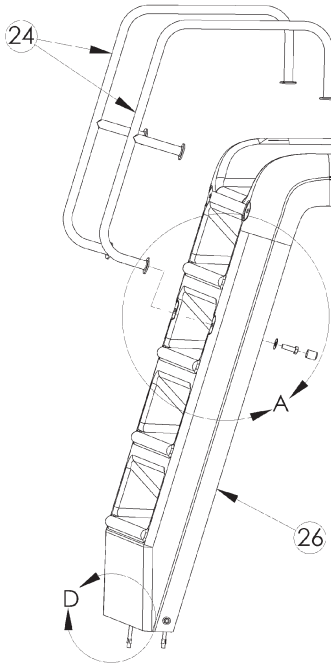
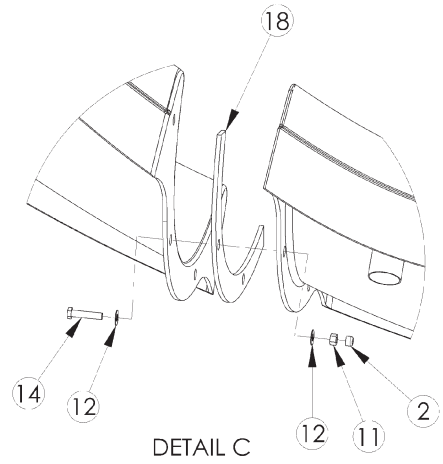
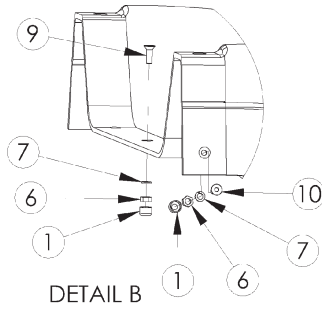
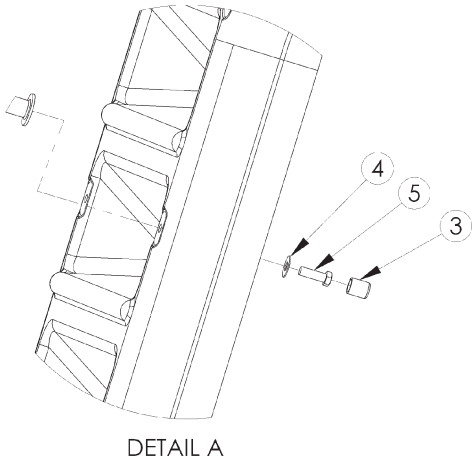
RESIDENTIAL SLIDES

## White Water™ Footprint for LEFT Turn Slide



**WHITE WATER™ SLIDE (WWS-CR-SS):**

**RESIDENTIAL SLIDES**



# WHITE WATER™ SLIDE (WWS-CR-SS):

ALL CHART INFORMATION BELOW CORRESPONDS WITH THE DRAWING ON THE PREVIOUS PAGE.



- SH-102: Flume to Flume; Leg to Flume
- SH-103: Step to Deck
- SH-104: Protective Caps
- SH-106: Deck Anchors to Legs; Deck Anchor to Deck
- SH-107: Deck Anchor
- SH-108: Step to Flume

DRAWING REPRESENTS THE FOLLOWING PART NUMBERS:	
WWS-CL-SS	WWS-CR-SS (shown)

RESIDENTIAL SLIDES

ITEM #	COMPONENT	DESCRIPTION	HARDWARE KITS/PARTS KITS – QTY. COUNTS								
			SH-102	SH-103	SH-104	SH-105	SH-106	SH-107	SH-108	HOSE	WWS
1	H-.463 X .310 CAP	.463 X .310 PROTECTIVE CAP			25		1				
2	H-.562 X .390 CAP	.562 X .390 PROTECTIVE CAP			15		3				
3	H-1 WHT CAP	.750 X 1" GRAY NUT CAP			6						
4	H-SS 1/2 F WAS	1/2" FLAT WASHER S.S.				6					
5	H-SS 1/2-13 BOL	1/2" X 1-1/2" HEX HEAD BOLT S.S.				6					
6	H-SS 1/4 H NUT	1/4" FINISH HEX NUT S.S.	4			5	1				
7	H-SS 1/4 FLAT W	1/4" FLAT WASHER S.S.	8			5	1				
8	H-SS 1/4X2-1/4H	1/4" X 2-1/4" HEX HEAD BOLT S.S.	4				1				
9	H-SS 1/4 X 1-1/4 F	1/4-20 X 1-1/4" SOC FLAT C/S 1								3	
10	H-SS 1/4 FL HEAD	1/4-20 X 3/4" SOC FLAT C/S SS								2	
11	H-SS 3/8 F NUT	3/8" FINISH HEX NUT S.S.	6	2			3				
12	H-SS 3/8 FLT WASHER	3/8" X 1" FLAT WASHER S.S.	12	4			3				
13	H-SS 3/8X1 H B	3/8" X 1" HEX HEAD BOLT S.S.		2							
14	H-SS 3/8X1-3/4	3/8" X 1-3/4" HEX HEAD BOLT S.S.	6								
15	H-SS 3/8 WEDGE	3/8" X 2-3/4" WEDGE ANCHOR, NUT & FLAT W S.S.		2			3				
16	H-1 BALL VALVE	BALL VALVE, 1" SLIP WHITE									1*
17	DECK ANCHOR	DECK ANCHOR, 9" STAINLESS STEEL						1**			
18	H-WRS/WW GASKET	GASKET, CLOSED CELL NEOPRENE SPONGE									1
19	L-BRACKET	L-BRACKET, LADDER ANCHOR, WHITE								2	
20	13" LEG	LEG 13"	NOT SHOWN (For WWS-CL-SS Only)								
21	16-3/4" LEG	LEG 16-3/4"									2
22	32-5/8" LEG	LEG 32-5/8"									2
23	H-1 SPA HOSE	PVC FLEX PIPE, 1" X 10'								1*	
24	WWS-HR	WHITEWATER HANDRAIL									2
25	WWS-LRUN-W-R	WHITEWATER LOWER RUNWAY									1
26	WWS-STEP-W	WHITEWATER STEP WHITE									1
27	WWS-URUN-W-R	WHITEWATER UPPER RUNWAY									1
28	H-ANTI-SEIZE	ANTI-SEIZE PACKET (NOT SHOWN)									1*

\* not pictured  
 \*\* Comes with one (1) deck anchor and one (1) SH-106 kit. Must order one for each leg of the slide (4 total). 4 are included when ordering a complete slide.  
 \*\* Comes with one (1) deck anchor and (1) SH-106 kit. Must order one for each leg of slide (4) total.

**NOTES:**

White Water slides available in both right and left turns.  
 White Water slides available with optional custom powder coated or thermo plastic coated handrails and legs.

Check your local electrical code requirements for bonding requirements.