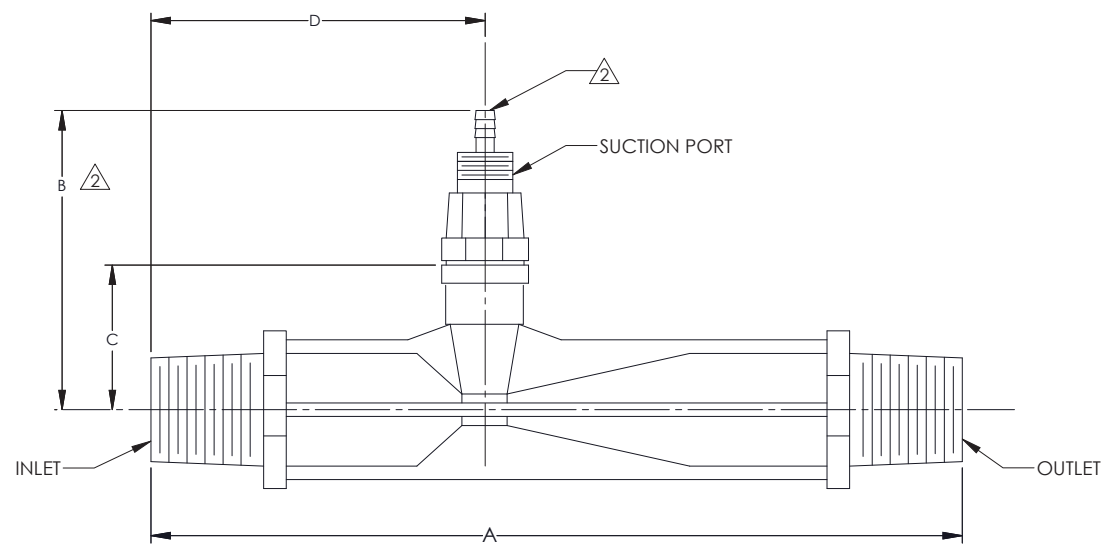


RECOMMENDED INJECTOR BYPASS CONSTRUCTION




MAZZEI INJECTOR SPECIFICATIONS

MAZZEI MODEL#	978	1583-A	1584-A	2081-A	4091
DEL MODEL #:	7-2001	7-0378	7-0740	7-0194	7-0696
DIMENSIONS IN INCHES AND [MM]	A	9.0 [229]	11.0 [279]	11.0 [279]	11.7 [297.18]
	B	3.4 [86]	3.5 [89]	3.5 [89]	-
	C	-	-	-	2.5 [64]
	D	3.7 [94]	5.5 [140]	5.5 [140]	5.2 [132]
INLET & OUTLET	1" MPT	1.5" MPT	1.5" MPT	2" MPT	4" MPT
SUCTION PORT	1/2" MPT ¹	1/2" MPT ¹	1/2" MPT ¹	1 1/4" MPT	2" MPT
WEIGHT IN LBS	0.4 [.18KG]	0.63 [.28KG]	0.63 [.28KG]	0.92 [.41KG]	12 [5.4KG]

¹ THESE MODELS EITHER INCLUDE OR HAVE AN OPTIONAL BUILT IN CHECK VALVE WITH THE LISTED MPT FITTING AND A HOSE SHANK.

² OPTIONAL SUCTION PORT 1/2" BARB, (978, 1583, 1584 ONLY).

ALL DIMENSIONS IN INCHES		APPROVALS:	DATE:	PROPERTY OF DEL OZONE THIS DOCUMENT AND THE DATA DISCLOSED HEREIN IS PROPRIETARY. IT IS NOT TO BE REPRODUCED, USED, OR OTHERWISE DISCLOSED IN WHOLE, OR IN PART, TO ANYONE, WITHOUT WRITTEN CONSENT FROM DEL OZONE.	 advanced sanitation solutions	TITLE:	
TOLERANCES:		DRAWN: JBELL	6/28/2013			INJECTOR & MANIFOLD, ASSY, DRAWING, MAZZEI	
.x ± .1 .xx ± .02 .xxx ± .010		ENGR. APPR: F. MARTIN	2013.08.12			REV. SHEET:	
ANGLES ± 1°		CHECKED:	10:46:23 07'00"			F 1 OF 1	
MATERIAL:		Q.A. APPR:		INTERPRET DRAWING PER ANSI Y14.5-1994	SIZE: B	DWG. NO: 4-0073	REV. SHEET: F 1 OF 1
FINISH:				SCALE: 1:1	DO NOT SCALE DRAWING		

ZONE	REV.	DESCRIPTION	ECN	DATE
	F	ADD METRIC DIMS TO SPEC SHEETS, UPDATE DWG TO SW	5110	6/28/13
	E	SPECIFICATIONS CORRECTED	3802	3/5/08
REVISIONS				

D

C

B

A

B FORMAT REV A