

THREE-PIECE DIRECTIONAL EYEBALL FITTING 1½" KNOCK-IN

FEATURES

Knocks into standard 1½" pipe

Self-leveling for pipe and surface construction variations

Adjustable eyeball available in four orifice sizes
(1", ¾", ½", slotted)

Manufactured from engineered polymer UV-resistant ABS material

250 per case

Orifice size part #s: 1"-41xx, ¾"-42xx, ½"-43xx, slotted-44xx (i.e. 4201 = white ¾" orifice)

Also available in Clear
(p/n 4100, 4200, 4300, 4400)

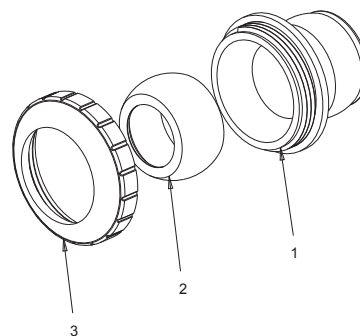
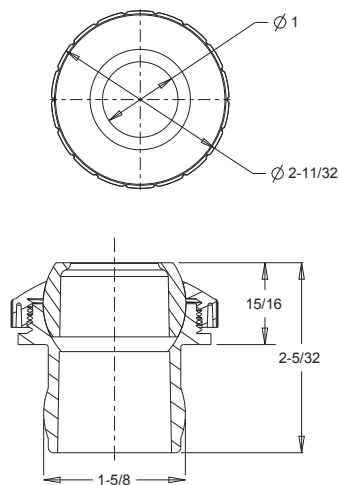
100



Part # 4xxx

STANDARD COLORS

<input type="checkbox"/> 101	<input type="checkbox"/> 104
<input type="checkbox"/> 102	<input type="checkbox"/> 105
<input type="checkbox"/> 103	<input type="checkbox"/> 108



1. 1.5" directional knock-in fitting, body
2. 100 series eyeball, 1" orifice
3. Standard eyeball locking ring