

10" ROUND ANTI-ENTRAPMENT SUCTION OUTLET COVER, SOLID RISER RING AND MUD FRAME



Certified to
NSF/ANSI/CAN 50
ANSI/APSP/ICC-16 2017

Open Area
11.2 in²

For SOFA Specific Flow Ratings and specifications please scan QR code or visit
www.aquastarpoolproducts.com/flowcode



FEATURES

Certified, Listed, and Labeled in conformance with APSP/ANSI/ICC-16 2017 and NSF/ANSI/CAN 50 standards

Manufactured from superior UV-resistant engineered polymers

#316 stainless steel screws

Online product support including downloadable CAD files, General Certificate of Conformity, third-party certificate, installation instructions and more

Replace drain cover every five years from the date of installation

See next page for additional product configurations

8 per case



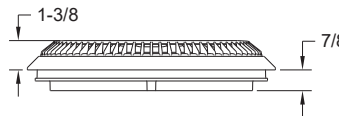
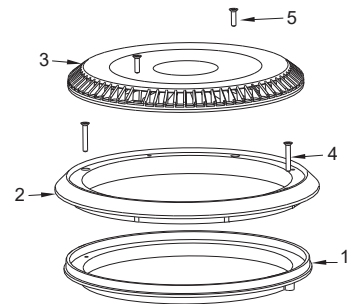
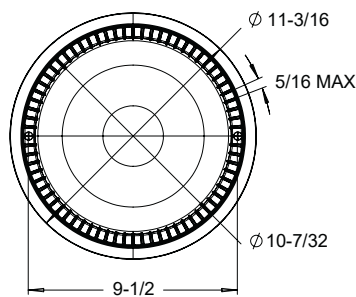
Part # 10AVRxxx

Designed to replace standard 10" round covers that have a 9½" center-to-center screw hole measurement

STANDARD COLORS

- 10AVR101 – White
- 10AVR102 – Black
- 10AVR103 – Light Gray
- 10AVR105 – Dark Gray
- 10AVR108 – Tan

Also available as frame only
p/n 10FRxxx
24 per case



1. 10" Round Mud Frame
2. 10" Round Riser Ring
3. 10" Anti-Entrapment Suction Outlet Cover
4. 10 x 1-1/4" Flat-Head Phillips, 316 SS, Qty 2
5. 10 x 3/4" Flat-Head Phillips, 316 SS, Qty 2

P 877-768-2717 F 877-276-POOL Outside the US: P +1-949-336-1940 F +1-949-336-1940
info@aquastarpoolproducts.com www.aquastarpoolproducts.com

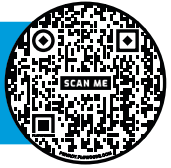
6" Socket Deep PVC Sump

NSF

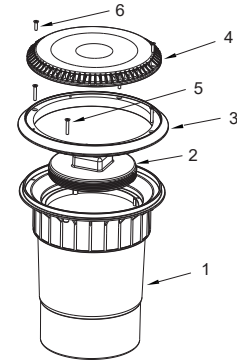
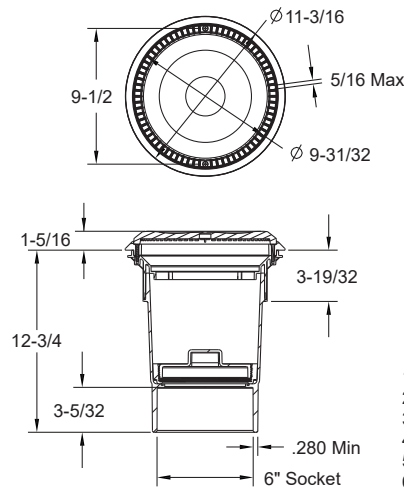
Certified to
NSF/ANSI/CAN 50
ANSI/APSP/ICC-16 2017

Open Area
11.2 in²

For SOFA Specific Flow Ratings and
specifications please scan QR code or visit
www.aquastarpoolproducts.com/flowcode



Part #
10AVRxxxF
4 per case



1. 6" Socket Deep PVC Sump
2. 6" Tapered Threaded Pipe Plug
3. 10" Round Riser Ring
4. 10" Anti-Entrapment Suction Outlet Cover
5. 10 x 1-1/4" Flat Head Phillips, 316 SS, Qty 4
6. 10 x 3/4" Flat Head Phillips, 316 SS, Qty 2

3" Socket x 4" Spigot Side Port PVC Sump

NSF

Certified to
NSF/ANSI/CAN 50
ANSI/APSP/ICC-16 2017

Open Area
11.2 in²

For SOFA Specific Flow Ratings and
specifications please scan QR code or visit
www.aquastarpoolproducts.com/flowcode



NEW Hassle-free pressure testing
and winterizing

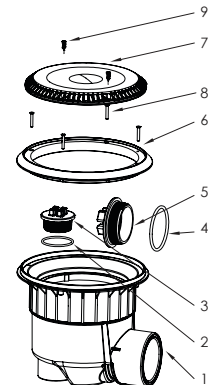
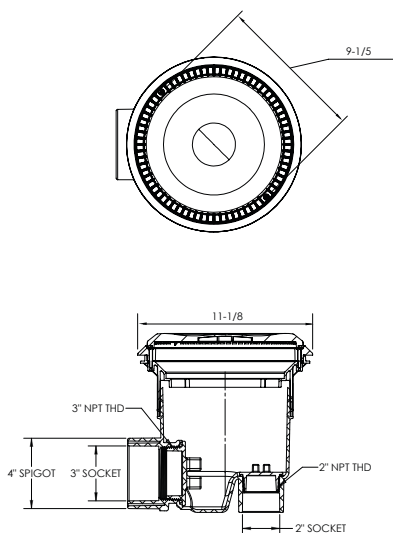


Hassle-free pressure testing and winterizing
Comes with a 3" and 2" NPT cap with O-ring.
No knock-outs required.

2" Plug and O-Ring, p/n 2SBP101
3" Plug and O-Ring, p/n 3SBP101

Optional 2" hydrostatic relief valve available p/n HV101

Part #
10AVRxxxSSB
2 per case



1. Side Port Sump Bucket, 10" Round Frame
2. 2" NPT Plug O-Ring
3. 2" NPT Plug
4. 3" NPT Plug O-Ring
5. 3" NPT Plug
6. 10" Round Riser Ring
7. 10" Anti-Entrapment Suction Outlet Cover
8. 10 x 1-1/4" Flat-Head Phillips, 316 SS, Qty 2
9. 10 x 3/4" Flat-Head Phillips, 316 SS, Qty 2