

12" SQUARE MOFLOW® SUCTION OUTLET COVER AND MUD FRAME

NSF

Certified to
NSF/ANSI/CAN 50
ANSI/APSP/ICC-16 2017

Open Area
71.2 in²

For SOFA Specific Flow Ratings and
specifications please scan QR code or visit
www.aquastarpoolproducts.com/flowcode



FEATURES

Certified, Listed, and Labeled in conformance with APSP/ANSI/ICC-16 2017 and NSF/ANSI/CAN 50 standards

Easily and safely retrofits to 12" square 3/4" deep frames

#316 stainless steel screws

Manufactured from superior UV-resistant engineered polymers

Trademarked VGBA compliance button easily identifies VGBA 2017 compliant cover from on deck and underwater

Online product support including downloadable CAD files, General Certificate of Conformity, third-party certificate, installation instructions and more

Replace drain cover every five years from the date of installation

See next page for additional product configurations

8 per case

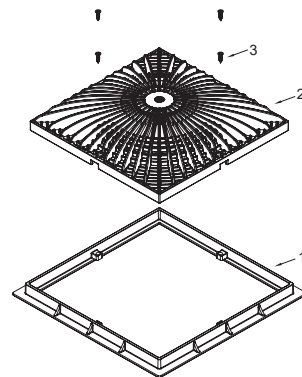
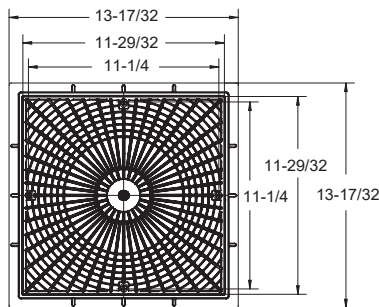


Part # 12MFxxx

Designed to replace standard 12" square covers that have a 11 1/4" center-to-center screw hole measurement with 3/4" deep existing frames

STANDARD COLORS

- 12MF101 – White
- 12MF102 – Black
- 12MF103 – Light Gray
- 12MF105 – Dark Gray
- 12MF108 – Tan



1. 12" Square Mud Frame
2. 12" Square MoFlow Suction Outlet Cover
3. 10 x 3/4" Flat Head Phillips, 316 SS, Qty 4

P 877-768-2717 F 877-276-POOL Outside the US: P +1-949-336-1940 F +1-949-336-1940
info@aquastarpoolproducts.com www.aquastarpoolproducts.com

6" Socket Deep PVC Sump

NSF

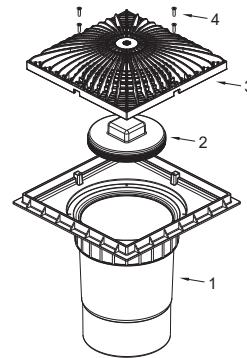
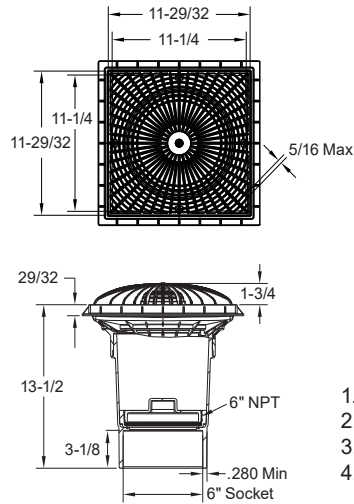
Certified to
NSF/ANSI/CAN 50
ANSI/APSP/ICC-16 2017

Open Area
71.2 in²

For SOFA Specific Flow Ratings and
specifications please scan QR code or visit
www.aquastarpoolproducts.com/flowcode



Part #
12MFxxxF
1 per case



1. 6" Socket Deep PVC Sump
2. 6" Tapered Threaded Pipe Plug
3. 12" Square MoFlow Suction Outlet Cover
4. 10 x 3/4" Flat Head Phillips, 316 SS, Qty 4

3" Socket x 4" Spigot Side Port PVC Sump

NSF

Certified to
NSF/ANSI/CAN 50
ANSI/APSP/ICC-16 2017

Open Area
71.2 in²

For SOFA Specific Flow Ratings and
specifications please scan QR code or visit
www.aquastarpoolproducts.com/flowcode



NEW Hassle-free pressure testing
and winterizing

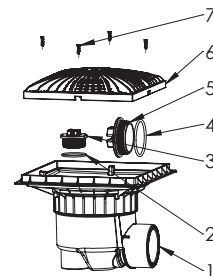
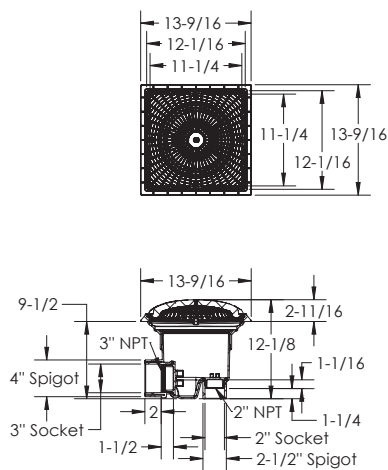


Hassle-free pressure testing and winterizing
Comes with a 3" and 2" NPT cap with O-ring.
No knock-outs required.

2" Plug and O-Ring, p/n 2SBP101
3" Plug and O-Ring, p/n 3SBP101

Optional 2" hydrostatic relief valve available p/n HV101

Part #
12MFxxxSSB
1 per case



1. Side Port Sump Bucket, 12" Square Frame
2. 2" Plug O-Ring
3. 2" NPT Plug
4. 3" Plug O-Ring
5. 3" NPT Plug
6. 12" Square MoFlow Suction Outlet Cover
7. 10 x 3/4" Flat Head Phillips, 316 SS, Qty 4