

32" CHANNEL DRAIN ANTI-ENTRAPMENT SUCTION OUTLET COVER AND ABS THREE-PORT MANUFACTURED SUMP FOR FIBERGLASS

VGB Series

The AquaStar line of suction outlet covers, compliant with the Virginia Graeme-Baker Pool and Spa Safety Act (ANSI/APSP 16-2011 and NSF/ANSI 50-2009a)

FEATURES

For single or multiple drain use (see installation instructions for plumbing, hydrostatic valve/drain pipe and single or multi-pump connections)

Single

Floor: 236 GPM at 3.4 fps
Wall: 136 GPM at 1.9 fps

Floor/wall: 106 GPM at 1.5 fps
Floor/wall: 70.4 GPM at 1.0 fps

22.6 square inch opening

#316 stainless steel screws

Manufactured from superior UV-resistant engineered polymers

Three ports: bottom 2½" OD, 2" ID S/S; inside 2" threaded FPT; two 2" threaded plugs included

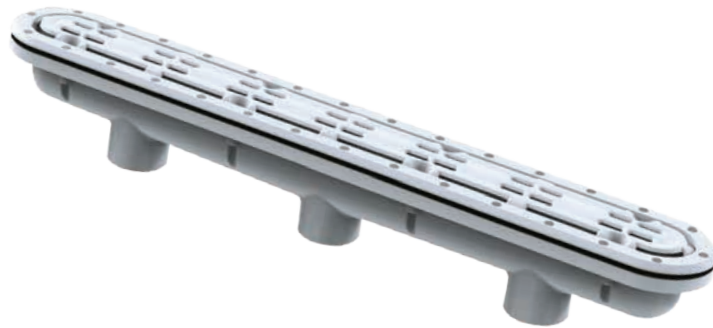
All components meet or exceed ANSI/APSP 16-2011 and NSF/ANSI 50-2009a national standards and ASTM G154 UV testing exposure

Must use transitional glue when attaching to PVC pipe

Replace every five years from the date of installation

4 per case

Unblockable!



Part # 32CDAVFGxxx

Two drains in one!

STANDARD COLORS

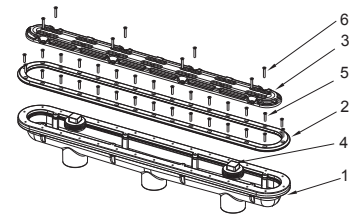
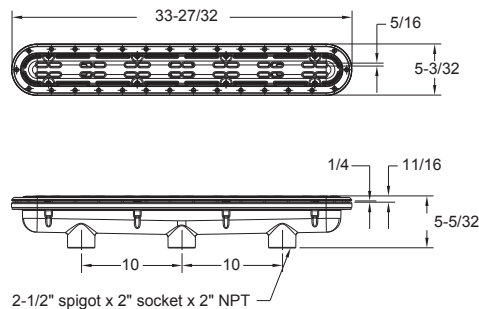
- 32CDAVFG101 – White
- 32CDAVFG102 – Black
- 32CDAVFG103 – Light Gray
- 32CDAVFG104 – Blue
- 32CDAVFG105 – Dark Gray
- 32CDAVFG108 – Tan

Also available:

Sump only p/n 32CDSBV101
4 per case

Clamping Ring for fiberglass
p/n 32CRTSxxx

VGB 2008 Compliant



1. 32" three-port manufactured fiberglass sump bucket
2. 32" channel drain fiberglass clamping ring
3. 32" anti-entrapment suction outlet cover
4. 2" NPT plug, qty 2
5. #10 x 1" flat head Phillips Type A screw, 316 ss, qty 30
6. #10 x 1-1/4" flat head Phillips Type A screw, 316 ss, qty 8