

32" CHANNEL DRAIN DEBRIS CATCHER SUCTION OUTLET COVER AND ABS THREE-PORT MANUFACTURED SUMP FOR VINYL



Certified to
NSF/ANSI/CAN 50
ANSI/APSP/ICC-16 2017

Open Area
32.0 in²

For SOFA Specific Flow Ratings and
specifications please scan QR code or visit
www.aquastarpoolproducts.com/flowcode



FEATURES

All components meet or exceed APSP/ANSI/ICC-16 2017 and NSF/ANSI 50-2009a national standards and ASTM G154 UV testing exposure

Uniquely engineered concave/convex design allows for superior debris catching while exceeding UL articulate probe finger and knuckle ASME A112 2008 tests

Three ports: bottom 2½" OD, 2" ID S/S; inside 2" threaded FPT; two 2" threaded plugs included

Disposable plastic pre-gunite/plaster insert keeps debris out and retains sump shape during construction

#316 stainless steel screws

Manufactured from superior UV-resistant engineered polymers

Online product support including downloadable CAD files, General Certificate of Conformity, third-party certificate, installation instructions and more

Replace drain cover, clamping ring, and gasket every five years from the date of installation

1 per case

NOTICE: White assemblies will come with white ABS sump, all other colors are shipped with light gray.

Unblockable!

NEW Improved cover design



With sump, clamping ring, and gasket (vinyl pools)
Part # 32CDLTVxxx

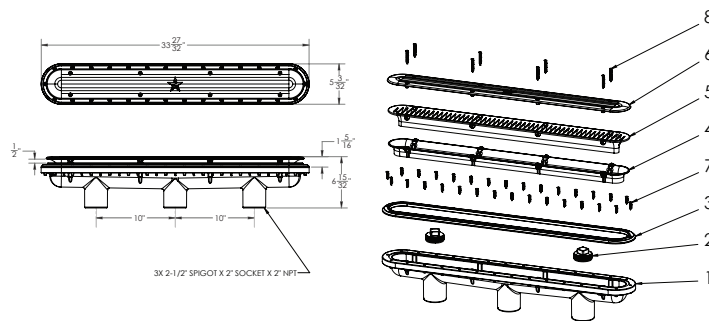
STANDARD COLORS

-  32CDLTV101 – White
-  32CDLTV102 – Black
-  32CDLTV103 – Light Gray
-  32CDLTV105 – Dark Gray
-  32CDLTV108 – Tan

Also available as cover only
p/n 32CDLTNFxxx
40 per case

Also available as sump only
p/n 32CDSBV101
1 per case

Clamping Ring for vinyl (with gasket)
p/n 32VCRxxx
40 per case



1. 32" Three-Port Manufactured Vinyl Sump Bucket With Gasket
2. 2" Tapered Threaded Pipe Plug, Qty 2
3. 32" Channel Drain Vinyl Clamping Ring With Gasket
4. 32" Channel Drain Leaf Trap Insert
5. 32" Channel Drain Leaf Trap Support
6. 32" Channel Drain Leaf Trap Cover
7. 10 x 1" Flat Head Phillips Screw, 316 SS, Qty 30
8. 10 x 1-3/4" Flat Head Phillips Screw, 316 SS, Qty 8

P 877-768-2717 F 877-276-POOL Outside the US: P +1-949-336-1940 F +1-949-336-1940
info@aquastarpoolproducts.com www.aquastarpoolproducts.com