

FLUSH-MOUNT RETURN FITTING WITH WATER STOP, EYEBALL AND NUT (FITS OVER 2" PIPE)

FEATURES

Slips outside 2" pipe

Finishes flush, no protrusion past the surface

Integrated water stop to reduce leaks

Eyeball available in four orifice sizes (1", 3/4", 1/2", slotted)

Manufactured from engineered polymer UV-resistant ABS material

250 per case

Additional orifice size suffix: 3/4"-B, 1/2"-C, slotted-D (i.e. 3501B = white 3/4" orifice)

Also available in Clear (p/n 3500)

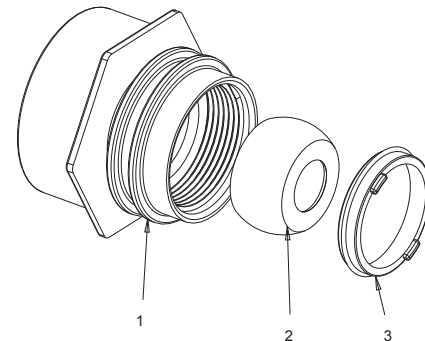
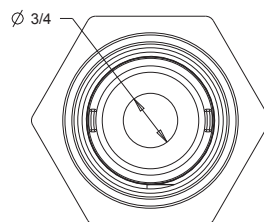
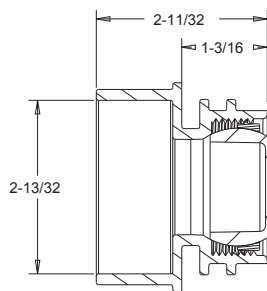
100



Part # 35xx

STANDARD COLORS

| | |
|------------------------------|------------------------------|
| <input type="checkbox"/> 101 | <input type="checkbox"/> 104 |
| <input type="checkbox"/> 102 | <input type="checkbox"/> 105 |
| <input type="checkbox"/> 103 | <input type="checkbox"/> 108 |



1. Flush mount return w/water barrier, 2" socket
2. 200 series eyeball, .75" orifice
3. Eyeball locking ring