

MULTI CYCLONE 70XL

CENTRIFUGAL WATER FILTRATION

A revolution in pool filtration, MultiCyclone 70XL is a brilliant pre-filtration device that works on the basis of centrifugal water filtration and is designed with no moving parts and no filter media to clean or replace.

- ① **Minimises filter maintenance and saves water**
- ② **No filter media to clean or replace**
- ③ **Maximum flow rate of 90m³ / hr**
- ④ **Compact size and ease of installation**
- ⑤ **Suitable for new and existing commercial installations**



Multi-award winning

Waterco has developed a revolutionary system that is both economical and efficient.

Since launching in 2000, MultiCyclone technology has continued to evolve through its innovative design, which has won numerous international awards, including the Sustainability Award, Splash Environmental Award, Best Product of the year 2010, Best Product Award at SPATEX UK in 2011 and 2012, and the Design Master Green Award at India's WAVES International Pool, Spa and Bath Expo.

The MultiCyclone 70XL is a commercial version of MultiCyclone technology. MultiCyclone hydrocyclones are redesigned to cope with the demands of commercial installations.

The MultiCyclone 70XL is designed to handle larger water flows and is ideal for industrial applications.

Ease filter workload

An Australian innovation, MultiCyclone reduces up to 80% of the filter's incoming load on the filter, reducing the frequency of filter maintenance and saving backwash water.

As the MultiCyclone 70XL handles more sediment, the flow rate remains unaffected, ensuring continuous pool water circulation.



MultiCyclone 70XL solution for Seaview Haven Holiday Park

The Seaview Haven Holiday Camp at Weymouth Bay, on England's south coast, is defined by its water facilities, which includes heated indoor and outdoor swimming pools. And when the camp's operators undertook a major refurbishment of the indoor pool in February 2013, the contractor discovered a 'small problem'.

An existing indoor pool was being refurbished and upgraded, but the plant room could not be altered which meant there was insufficient room to add another filter in order to meet the latest PWTAG standards.

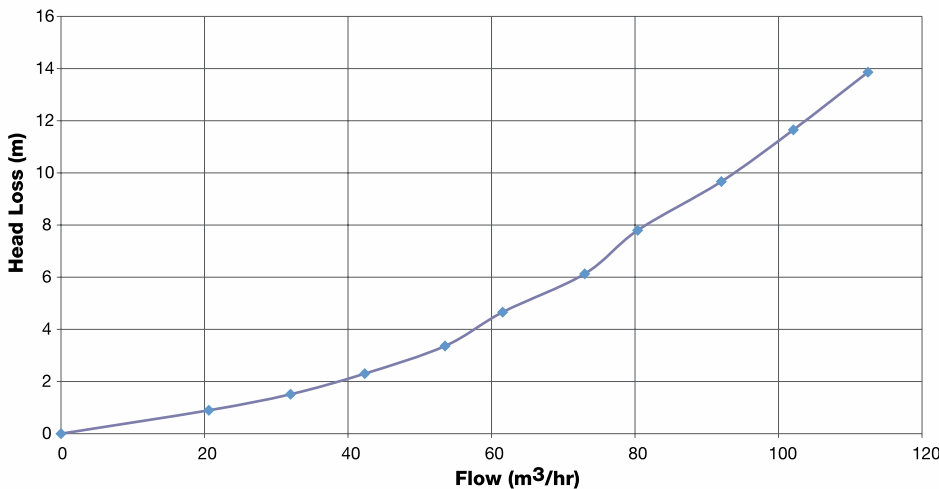
The MultiCyclone 70XL is designed specifically for use in commercial pools and given the 90m³ Seaview Haven pool caters for a large volume of people, the MultiCyclone 70XL was the perfect solution to address the client's space and budget restrictions.

The MultiCyclone 70XL, gives the staff at Seaview Holiday Park a break from the intense maintenance schedule, as the system requires less backwashing than the previous filter.

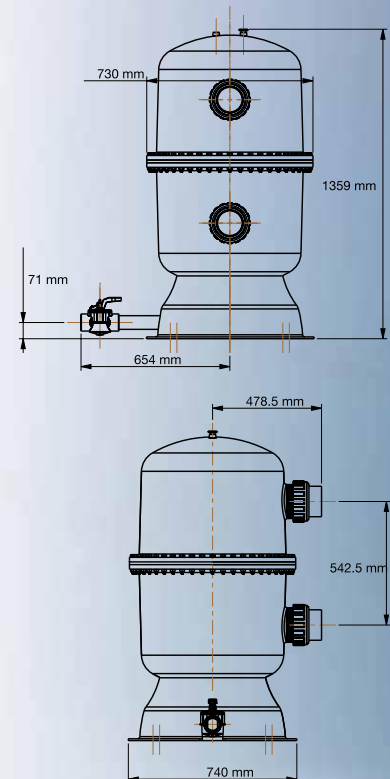
The MultiCyclone 70XL gave an opportunity to upgrade filtration whilst taking up less plant room space than another filter, and at less cost.



MultiCyclone 70XL Head Loss Curve



Dimension



Technical Specification

Model	Connection Ports	Minimum Flow Rate	Maximum Flow Rate	Pressure Rating
MultiCyclone 70XL	100mm/4" Nominal	36m ³ /hr (158 GPM)	90m ³ /hr (396 GPM)	2.5 Bar (250 kPa)

Warranty

MultiCyclone XL is covered by a 2 year warranty and a 12 month warranty on labour.

Waterco Micron fibreglass filters

MultiCyclone XL filters are part of Waterco's comprehensive range of Micron fibreglass filters. Manufactured from the highest grade of non corrosive materials and employing the latest in fibreglass winding technology.



Established since 1981, Waterco is an Australian public listed company involved in the manufacture and distribution of:

Swimming pool/spa equipment and chemicals
Domestic water filters, softeners and purifiers
Commercial and Industrial water treatment equipment.

Waterco's research & development team has created an innovative range of award winning products.

The company's advanced fibreglass winding and pioneering plastic moulding techniques have delivered premium quality products to over 40 countries via its branches operating in Australia, New Zealand, Malaysia, China, the United Kingdom, United States of America, Canada, Indonesia, Singapore and France.



OFFICES - AUSTRALIA

NSW - Sydney (Head Office)
Tel: +61 2 9898 8600

QLD - Brisbane
Tel: +61 7 3299 9900

VIC/TAS - Melbourne
Tel: +61 3 9764 1211

WA - Perth
Tel: +61 8 9273 1900

SA/NT - Adelaide
Tel: +61 8 8244 6000

OFFICES - OVERSEAS

Waterco (Europe) Limited
Sittingbourne, Kent, UK
Tel: +44 (0) 1795 521 733

Waterco (USA) Inc
Augusta, Georgia, USA
Tel: +1 706 793 7291

Waterco Canada
Longueuil, Quebec, Canada
Tel: +1 450 748 1421

Waterco (NZ) Limited
Auckland, New Zealand

Waterco (C) Limited
Guangzhou, China
Tel: +86 20 3222 2180

Waterco (Far East) Sdn Bhd
Selangor, Malaysia
Tel: +60 3 6145 6000

PT Waterco Indonesia
Jakarta, Indonesia
Tel: +62 21 4585 1481

Waterco Singapore Intl Pte Ltd
Naksons Building, Singapore

Waterco France
SAINT PRIEST, France.
Tel: +33 4 72 79 33 30

DISTRIBUTED BY:

