

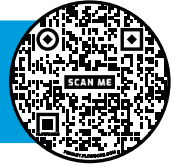
# 8" ROUND MOFLOW® SUCTION OUTLET COVER AND MUD FRAME



Certified to  
NSF/ANSI/CAN 50  
ANSI/APSP/ICC-16 2017

Open Area  
16.6 in<sup>2</sup>

For SOFA Specific Flow Ratings and  
specifications please scan QR code or visit  
[www.aquastarpoolproducts.com/flowcode](http://www.aquastarpoolproducts.com/flowcode)



## FEATURES

Certified, Listed, and Labeled in  
conformance with APSP/ANSI/ICC-16 2017  
and NSF/ANSI/CAN 50 standards

Manufactured from superior  
UV-resistant engineered polymers

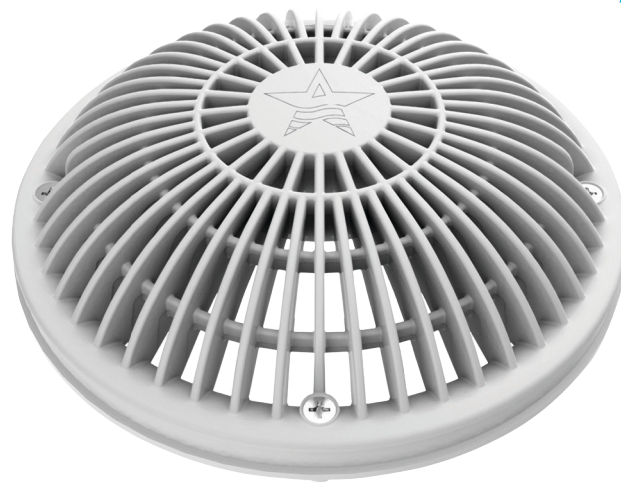
#316 stainless steel screws

Online product support including  
downloadable CAD files, General Certificate  
of Conformity, third-party certificate,  
installation instructions and more

Replace drain cover every five years from  
the date of installation

See next page for additional product  
configurations

36 per case



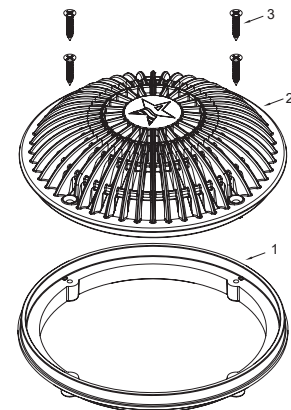
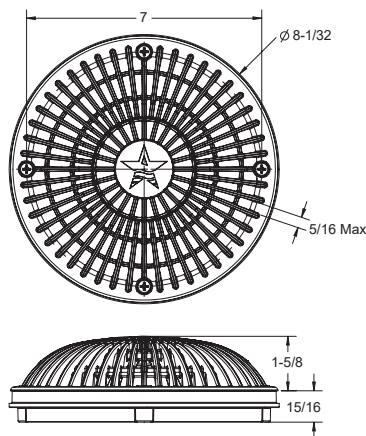
Part # 8MFxxx

Designed to replace standard 8" round covers  
that have a 7" center-to-center screw hole measurement

### STANDARD COLORS

- 8MF101 – White
- 8MF102 – Black
- 8MF103 – Light Gray
- 8MF104 – Blue
- 8MF105 – Dark Gray
- 8MF108 – Tan

Also available as frame only  
p/n 8FRxxx  
24 per case



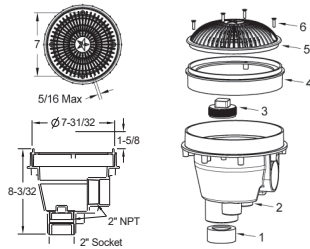
1. 8" Round Mud Frame
2. 8" Round MoFlow Suction Outlet Cover
3. 10 x 3/4" Flat Head Phillips, 316 SS, Qty 4

P 877-768-2717 F 877-276-POOL Outside the US: P +1-949-336-1940 F +1-949-336-1940  
info@aquastarpoolproducts.com www.aquastarpoolproducts.com

## Standard 2" NPT, 2" Socket Extended ABS Sump

### VGBA CERTIFIED SPECIFICATIONS

For SOFA Specific Flow Ratings and specifications please scan QR code or visit [www.aquastarpoolproducts.com/flowcode](http://www.aquastarpoolproducts.com/flowcode)



Part #  
8MFSBACxxx  
8 per case

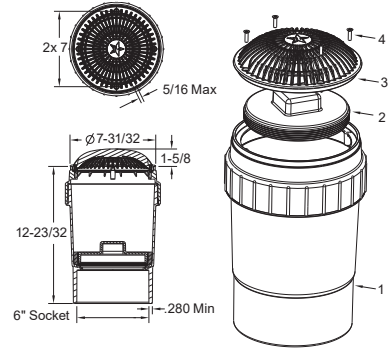
Part #  
8MFSBAC2xxx  
Contractor's 2-Pack  
4 per case

1. 2" Socket x 1-1/2" Socket Pipe Reducer
2. Standard ABS Sump
3. 2" Tapered Threaded Pipe Plug
4. 8" Sump Bucket Collar
5. 8" MoFlow Suction Outlet Cover
6. 10 x 3/4" Flat Head Phillips, 316 SS, Qty 4

## 6" Socket Deep PVC Sump

### VGBA CERTIFIED SPECIFICATIONS

For SOFA Specific Flow Ratings and specifications please scan QR code or visit [www.aquastarpoolproducts.com/flowcode](http://www.aquastarpoolproducts.com/flowcode)



Part #  
8MFxxxF  
4 per case

1. 6" Socket Deep PVC Sump
2. 6" Tapered Threaded Pipe Plug
3. 8" MoFlow Suction Outlet Cover
4. 10 x 3/4" Flat Head Phillips, 316 SS, Qty 4

## 3" Socket x 4" Spigot Side Port PVC Sump



Certified to  
NSF/ANSI/CAN 50  
ANSI/APSP/ICC-16 2017

Open Area  
16.6 in<sup>2</sup>

For SOFA Specific Flow Ratings and specifications please scan QR code or visit [www.aquastarpoolproducts.com/flowcode](http://www.aquastarpoolproducts.com/flowcode)



**NEW**

Hassle-free pressure testing and winterizing



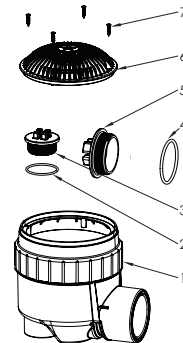
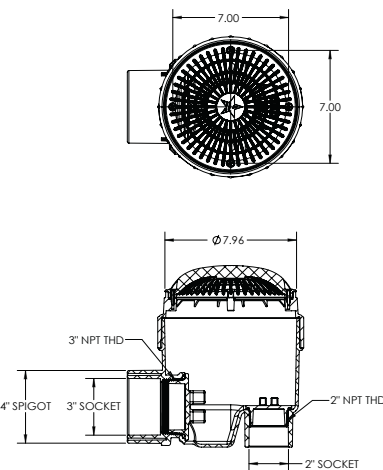
**Hassle-free pressure testing and winterizing**  
Comes with a 3" and 2" NPT cap with O-ring. No knock-outs required.



Optional 2" hydrostatic relief valve available p/n HV101

Part #  
8MFxxxSSB  
4 per case

2" Plug and O-Ring, p/n 2SBP101  
3" Plug and O-Ring, p/n 3SBP101



1. Side Port Sump Bucket, 8" Round Frame
2. 2" NPT Plug O-Ring
3. 2" NPT Plug
4. 3" NPT Plug O-Ring
5. 3" NPT Plug
6. 8" Round MoFlow Suction Outlet Cover
7. 10 x 3/4" Flat Head Phillips, 316 SS, Qty 4