

# 9" SQUARE MOFLOW® SUCTION OUTLET COVER AND MUD FRAME



Certified to  
NSF/ANSI/CAN 50  
ANSI/APSP/ICC-16 2017

Open Area  
36.8 in<sup>2</sup>

For SOFA Specific Flow Ratings and  
specifications please scan QR code or visit  
[www.aquastarpoolproducts.com/flowcode](http://www.aquastarpoolproducts.com/flowcode)



## FEATURES

Certified, Listed, and Labeled in conformance with APSP/ANSI/ICC-16 2017 and NSF/ANSI/CAN 50 standards

Easily and safely retrofits to 9" square 3/4" deep frames

Manufactured from superior UV-resistant engineered polymers

#316 stainless steel screws

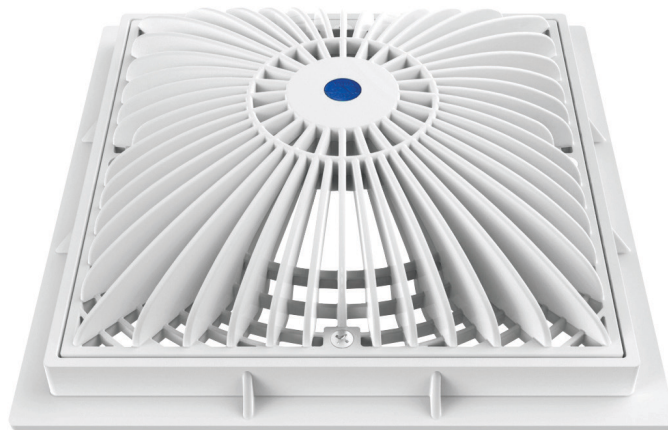
Trademarked VGBA compliance button easily identifies VGBA 2017 compliant cover from on deck and underwater

Online product support including downloadable CAD files, General Certificate of Conformity, third-party certificate, installation instructions and more

Replace drain cover every five years from the date of installation

See next page for additional product configurations

8 per case

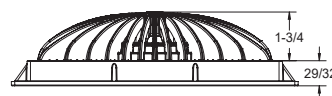
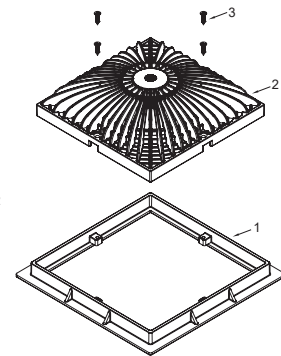
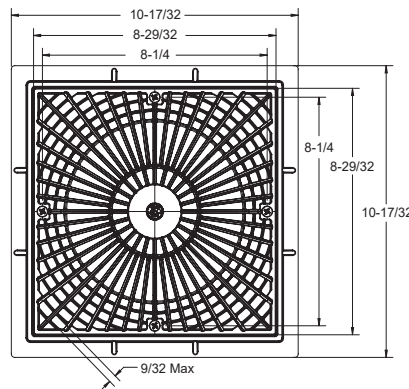


Part # 9MFxxx

Designed to replace standard 9" square covers that have a 8 1/4" center-to-center screw hole measurement with 3/4" deep existing frames

### STANDARD COLORS

- 9MF101 – White
- 9MF102 – Black
- 9MF103 – Light Gray
- 9MF105 – Dark Gray
- 9MF108 – Tan



1. 9" Square Mud Frame
2. 9" Square MoFlow Suction Outlet Cover
3. 10 x 3/4" Flat Head Phillips, 316 SS, Qty 4

P 877-768-2717 F 877-276-POOL Outside the US: P +1-949-336-1940 F +1-949-336-1940  
[info@aquastarpoolproducts.com](mailto:info@aquastarpoolproducts.com) [www.aquastarpoolproducts.com](http://www.aquastarpoolproducts.com)

## 6" Socket Deep PVC Sump

**NSF**

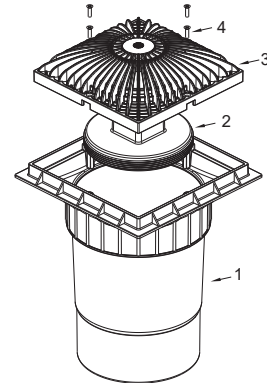
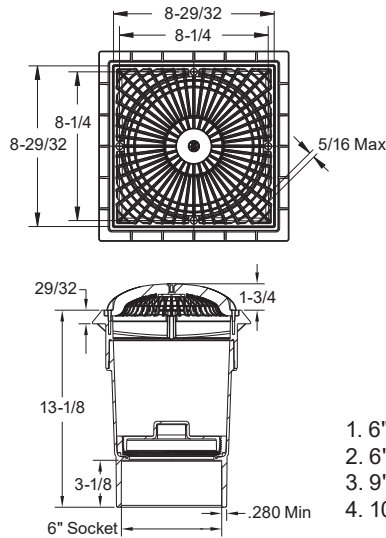
Certified to  
NSF/ANSI/CAN 50  
ANSI/APSP/ICC-16 2017

**Open Area**  
36.8 in<sup>2</sup>

For SOFA Specific Flow Ratings and  
specifications please scan QR code or visit  
[www.aquastarpoolproducts.com/flowcode](http://www.aquastarpoolproducts.com/flowcode)



Part #  
9MFxxxF  
2 per case



1. 6" Socket Sweep PVC sump
2. 6" Tapered Threaded Pipe Plug
3. 9" Square MoFlow Suction Outlet Cover
4. 10 x 3/4" Flat Head Phillips, 316 SS, Qty 4

## 3" Socket x 4" Spigot Side Port PVC Sump

**NSF**

Certified to  
NSF/ANSI/CAN 50  
ANSI/APSP/ICC-16 2017

**Open Area**  
36.8 in<sup>2</sup>

For SOFA Specific Flow Ratings and  
specifications please scan QR code or visit  
[www.aquastarpoolproducts.com/flowcode](http://www.aquastarpoolproducts.com/flowcode)



**NEW** Hassle-free pressure testing  
and winterizing

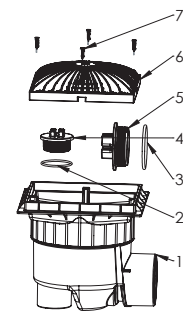
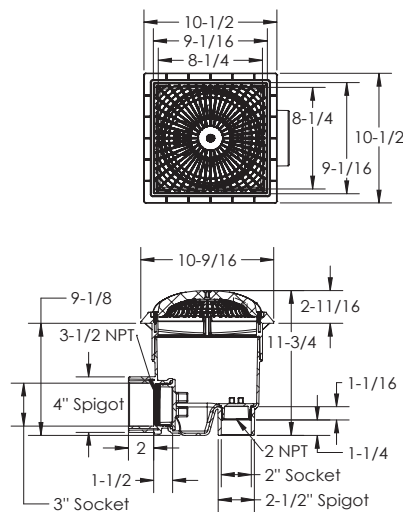


**Hassle-free pressure testing and winterizing**  
Comes with a 3" and 2" NPT cap with O-ring.  
No knock-outs required.

Part #  
9MFxxxSSB  
1 per case

2" Plug and O-Ring, p/n 2SBP101  
3" Plug and O-Ring, p/n 3SBP101

Optional 2" hydrostatic relief valve available p/n HV101



1. Side Port Sump Bucket, 9" Square Frame
2. 2" NPT Plug O-Ring
3. 3" NPT Plug O-Ring
4. 3" NPT Plug
5. 2" NPT Plug
6. 9" Square MoFlow Suction Outlet Cover
7. 10 x 3/4" Flat Head Phillips, 316 SS, Qty 4