

9" SQUARE MOFLOW[™] SUCTION OUTLET COVER AND MUD FRAME

VGB Series

The AquaStar line of suction outlet covers, compliant with the Virginia Graeme-Baker Pool and Spa Safety Act (ANSI/APSP 16-2011 and NSF/ANSI 50-2009a)

FEATURES

For single or multiple drain use
3" sump depth
(see installation instructions)

Single –

Floor: 258 GPM at 2.3 fps
Wall: 274 GPM at 2.4 fps

Floor/wall: 172 GPM at 1.5 fps
Floor/wall: 114.7 GPM at 1.0 fps

36.8 square inch opening

Trademarked VGB compliance button
easily identifies VGB 2008 compliant cover
from on deck and underwater

Easily and safely retrofits to 9" square
3/4" deep frames

Additional sump versions also available

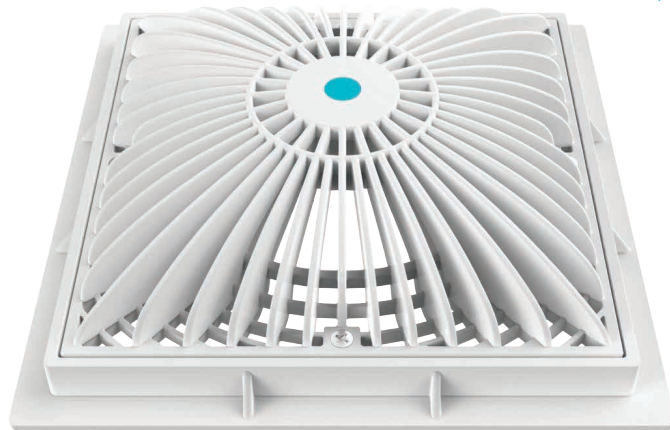
#316 stainless steel screws

Manufactured from superior
UV-resistant engineered polymers

All components (cover, frame, screws)
meet or exceed ANSI/APSP 16-2011 and
NSF/ANSI 50-2009a national standards
and ASTM G154 UV testing exposure

Replace every five years from the date
of installation

8 per case



Part # 9MFxxx

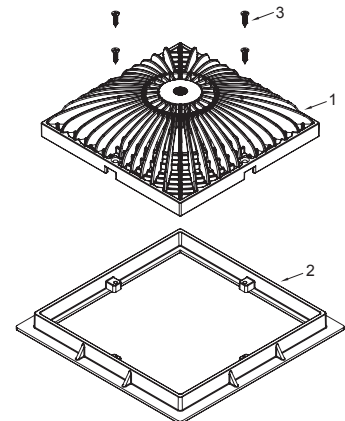
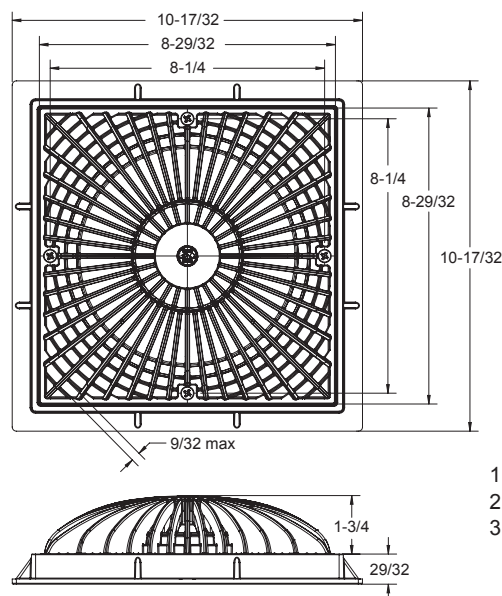
Fits: AquaStar (all standard 9" square), Pentair (#1 selling)
with 3/4" deep existing frames and four screw hole pattern

STANDARD COLORS

- 9MF101 – White
- 9MF102 – Black
- 9MF103 – Light Gray
- 9MF104 – Blue
- 9MF105 – Dark Gray
- 9MF108 – Tan

Replaces p/n P9xxx

VGB 2008 Compliant

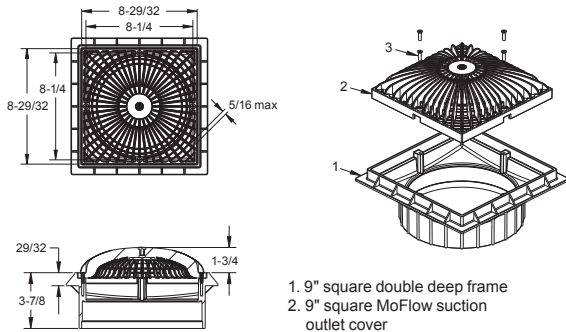


1. 9" square MoFlow suction outlet cover
2. 9" square mud frame
3. #10 x 3/4" lg flat head Phillips
Type A screw, 316 ss, qty 4

ADDITIONAL PRODUCT CONFIGURATIONS FOR 9MFXXX

Double-Deep Sump

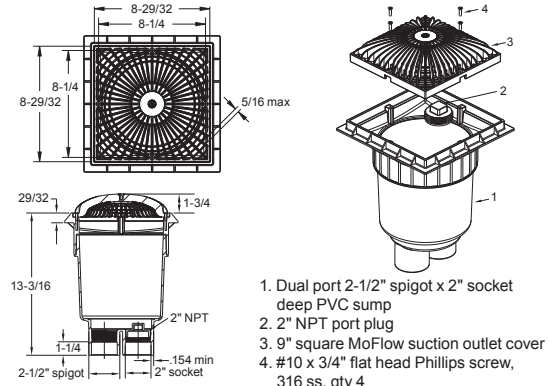
Part #
9MFxxxA
4 per case



1. 9" square double deep frame
2. 9" square MoFlow suction outlet cover
3. #10 x 3/4" flat head Phillips screw, 316 ss, qty 4

Dual-Port 2 1/2" Spigot x 2" Socket Deep PVC Sump

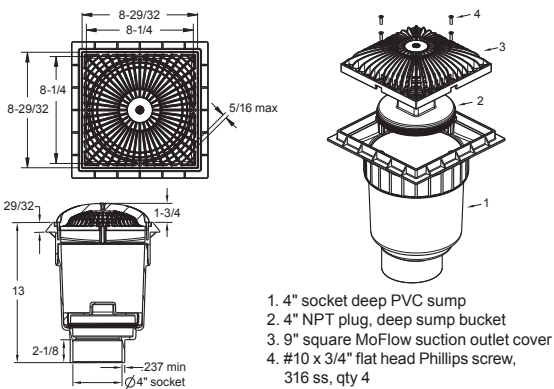
Part #
9MFxxxB
2 per case



1. Dual port 2-1/2" spigot x 2" socket deep PVC sump
2. 2" NPT port plug
3. 9" square MoFlow suction outlet cover
4. #10 x 3/4" flat head Phillips screw, 316 ss, qty 4

4" Socket Deep PVC Sump

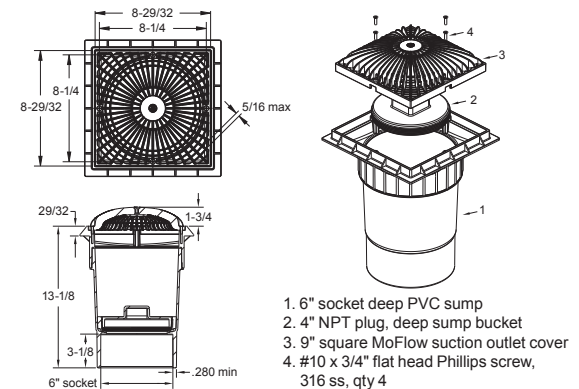
Part #
9MFxxxD
2 per case



1. 4" socket deep PVC sump
2. 4" NPT plug, deep sump bucket
3. 9" square MoFlow suction outlet cover
4. #10 x 3/4" flat head Phillips screw, 316 ss, qty 4

6" Socket Deep PVC Sump

Part #
9MFxxxF
2 per case



1. 6" socket deep PVC sump
2. 4" NPT plug, deep sump bucket
3. 9" square MoFlow suction outlet cover
4. #10 x 3/4" flat head Phillips screw, 316 ss, qty 4