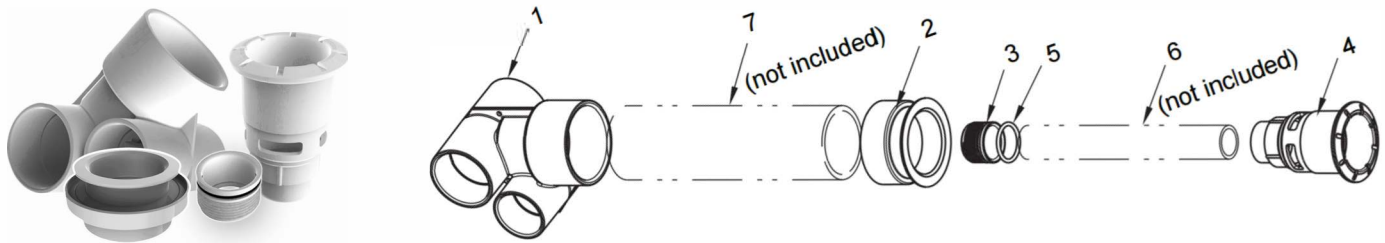


2 1/2" AQUATHUNDER® GUNITE JETS

AquaThunder Jet Body Assembly Overview

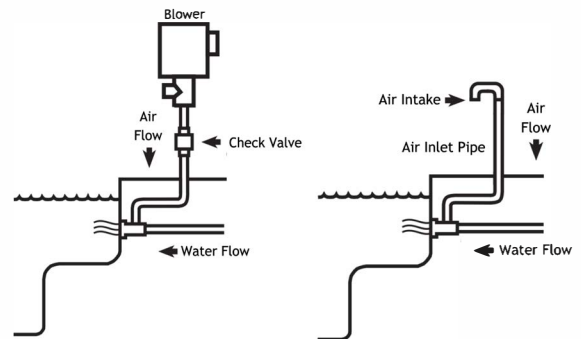
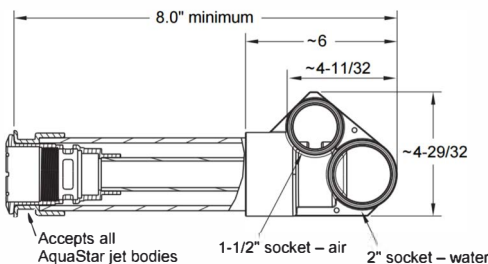
Aqua Thunder Jet Housing Assembly with WaterStop Technology



Contents:

1. AquaThunder 2 1/2" Gunite Jet Housing, AT127101
2. AquaThunder Jet Housing with Water Stop, AT128xxx
3. AquaThunder Retainer Ring, AT129xxx
4. AquaThunder Wall Fitting, AT130xxx
5. AquaThunder Retainer O-Ring, AT129xxx
6. 1" PVC Pipe, Not Included
7. 2 1/2" PVC Pipe, Not Included

WARNING: To prevent personal injury, shock, or property/equipment damage a check valve must be installed on the blower pipe in case of a water backup in the air line. If a blower is not being used direct the air intake toward the ground.



WaveJet® Barrel Overview

All WaveJets include an adjustable flange for easy water flow adjustment. For unique style and comfort try WaveJets with our durable rubber over-mold adjustable flange. WaveJet barrels are interchangeable with most popular brands.

Lite Therapy - 9 GPM Medium Therapy - 12 GPM Hard Therapy - 19 GPM

Please Note: Jet may not function properly when flow is less than 5 GPM or more than 23 GPM



Single Adjustable
Plastic- ATBxxx
Rubber- ATBxxxA-7



Therapeutic Spinner
Plastic- ATBTSxxx
Rubber- ATBTSxxxA-7



Single Rotational
Plastic- ATGB3xx
Rubber- ATGB3xxxA-7



Double Rotational
Plastic- ATGB4xx
Rubber- ATGB4xxxxA-7

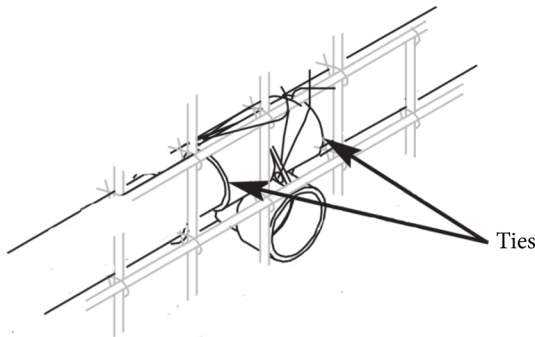


Massage Barrel
Plastic- ATGB5xx
Rubber- ATGB5xxxxA-7

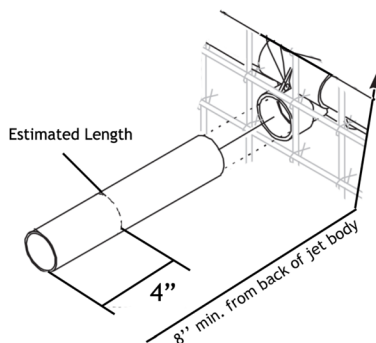
2 1/2" AQUATHUNDER® GUNITE JETS

Installation and Pressure Testing Instructions

1. Hang AquaThunder Gunite Jet Housing with ties through predrilled tie holes onto the steel rebar.



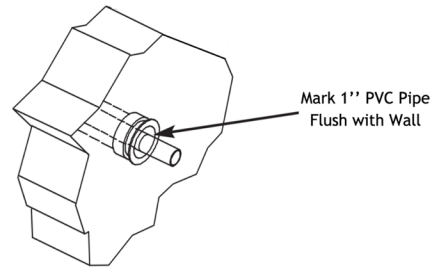
2. Estimate length of 2 1/2" PVC pipe by the thickness of the wall. Cut 2 1/2" PVC pipe at least 4" longer than the estimate, and always provide a minimum of 8" of pipe from the back of the jet body. Glue the 2 1/2" PVC pipe to the AquaThunder Gunite Jet Housing.



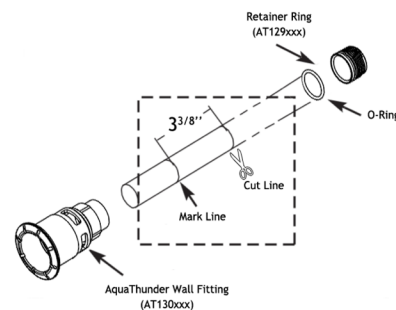
3. For pressure testing, glue a 2 1/2" cap onto end of pipe. Ensure there are no leaks. The fitting is now ready for gunite.

4. Shortly after pool gunite is applied, scoop around the pipe. Before plastering, cut the 2 1/2" PVC and glue the AquaThunder Gunite Jet Niche, AT128xxx, onto the pipe so that the face is flush with the wall. Cover niche with tape, then plaster over niche.

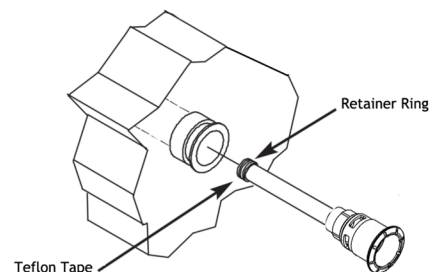
5. Make a mark on the 1" PVC pipe flush or even with the end of the 2 1/2" pipe.



6. Unscrew 1" PVC pipe from body and cut 3 3/8" inward from the mark towards AquaThunder Retainer Ring, AT129xxx, then glue wallfitting to 1" PVC pipe.



7. Wrap Teflon tape on the retainer ring if necessary and thread the 1" PVC pipe back into the body, making sure of a snug fit.



8. Install AquaThunder jet by placing it inside the wall fitting and turning clockwise, hand tightening. When tight, turn counterclockwise to adjust the water flow.