

AquaThunder[®] spa jets are designed for maximum efficiency. The soothing water/air combination will give your next spa project great therapeutic massage action. The PVC housing makes assembly a breeze and threaded interchangeable jet barrels are available for a variety of combinations. The adjustable jet fitting is made with a flange so it won't interfere with the adjustment ring, making it easier to regulate the water flow. The pool finish can go right up against the outer flange, giving it a very clean look.



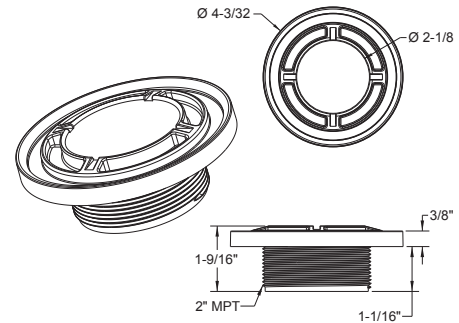
AquaThunder Jet Fitting with Flange

Features

- Threaded design screws to housing
- Designer outer flange
- Made from ABS engineering grade resin
- Interchangeable with most popular brands
- 25 per case



Part # ATFxxx



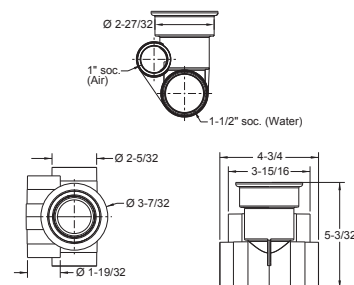
AquaThunder Jet Housing

Features

- Made from PVC
- Separate water and air tubes
- Interchangeable with most popular brands
- White only
- 25 per case



Part # ATH101



2 1/2" Gunite Jet Body Assembly

Features

- Wide range of plumbing options
- Compatible with gunite finishes
- Wide variety of nozzle configurations
- Easily interchangeable jet styles
- 2" socket (water) x 1 1/2" socket (air)
- 1" and 2 1/2" pipes not included

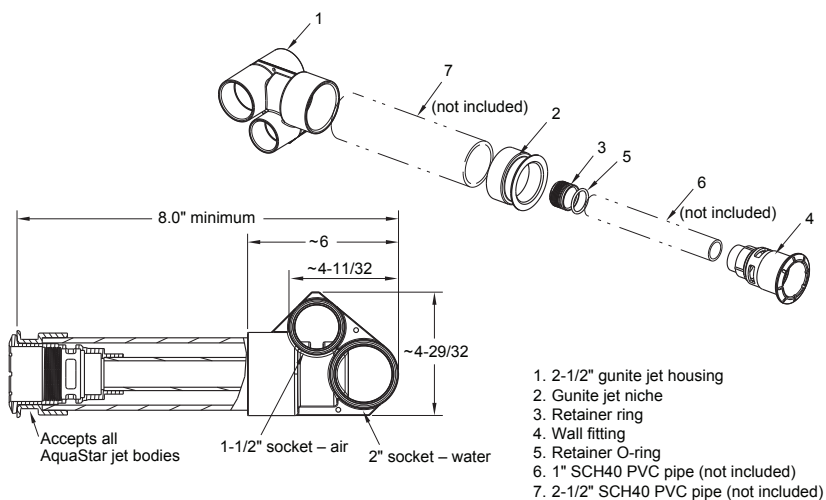


U.S. patents pending

Part # ATGxxx

STANDARD COLORS

- | | |
|------------------------------|------------------------------|
| <input type="checkbox"/> 101 | <input type="checkbox"/> 105 |
| <input type="checkbox"/> 102 | <input type="checkbox"/> 108 |
| <input type="checkbox"/> 103 | |



AquaThunder 2½" Gunite Jet Housing

Features

Made from PVC
Separate water and air tubes
2" socket (water)
1½" socket (air)
Interchangeable with most popular brands
White only



Part # AT127101

AquaThunder Gunite Jet Niche

Features

Fits the ATGxxx housing
Made from PVC
Connects to the 2½" Gunite Jet Housing by
2½" PVC schedule 40 pipe (pipe not included)
White only



Part # AT128101

AquaThunder Retainer Ring

Features

Fits the ATGxxx housing
Made from PVC
Threaded design screws into 2½" Gunite Jet Housing
White only



Part # AT129101

AquaThunder Wall Fitting

Features

Fits the ATGxxx housing
Made from PVC
Connects to retainer ring by 1" PVC schedule 40 pipe
(pipe not included)
Designed to fit inside Gunite Jet Niche
White only



Part # AT130101

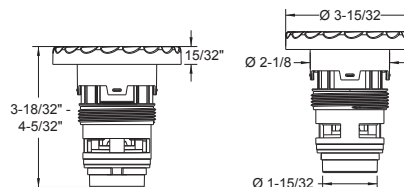
AquaThunder Jet Barrel

Features

- Clean scallop design
- Adjustable front flange
- Threaded for easy assembly
- Made from ABS engineering grade resin
- Interchangeable with most popular brands
- Fits ATHxx and ATGxxx housing



Part # ATBxxx



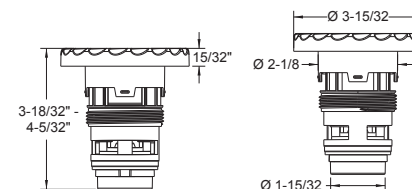
AquaThunder Jet Barrel with Therapeutic Spinner

Features

- Clean scallop design
- Adjustable front flange
- Threaded for easy assembly
- Made from ABS engineering grade resin
- Interchangeable with most popular brands
- Stainless steel ball bearing race for smooth and durable spinning action
- Fits ATHxx and ATGxxx housing



Part # ATBTSxxx



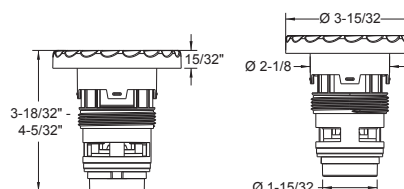
2½" Gunite Rotational Jet Barrel (Single / Double)

Features

- Clean scallop design
- Adjustable front flange
- Threaded for easy assembly
- Interchangeable with most popular brands
- Fits ATHxx and ATGxxx housing



Double
Part # ATGB4xx



2½" Gunite Massage Jet Barrel

Features

- Rotates for massage therapy
- Clean scallop design
- Adjustable front flange
- Threaded for easy assembly
- Interchangeable with most popular brands
- Fits ATHxx and ATGxxx housing



Part # ATGB5xx

