

18" SQUARE MUD FRAME WITH FOUR 9" SQUARE STAR SUCTION OUTLET COVERS AND VENTED RISER RINGS

VGB Series

The AquaStar line of suction outlet covers, compliant with the Virginia Graeme-Baker Pool and Spa Safety Act (ANSI/APSP 16-2011 and NSF/ANSI 50-2009a)

FEATURES

For single or multiple drain use
6" sump depth
(see installation instructions)

Single – 6" sump depth
Floor/wall: 740 GPM at 1.5 fps
Floor/wall: 501.2 GPM at 1.0 fps

160.8 square inch opening

#316 stainless steel screws

Trademarked VGB compliance button
easily identifies VGB 2008 compliance
from pool/spa deck

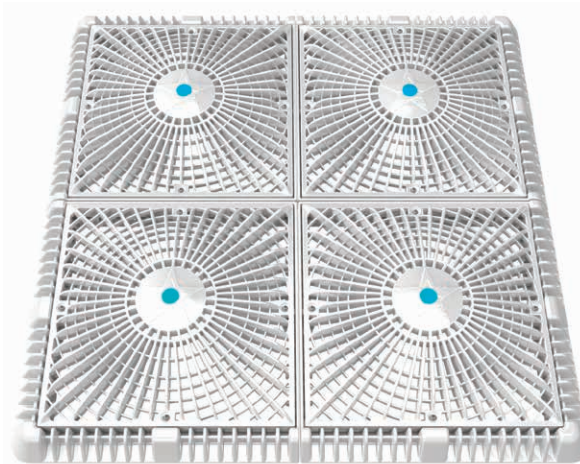
Manufactured from superior
UV-resistant engineered polymers

Easily and safely retrofits to 18" square
3/4" deep frames

All components (cover, frame, screws)
meet or exceed ANSI/APSP 16-2011 and
NSF/ANSI 50-2009a national standards
and ASTM G154 UV testing exposure

Replace every five years from the date
of installation

4 per case



U.S. patents D623728 and D663388

Part # P18xxx

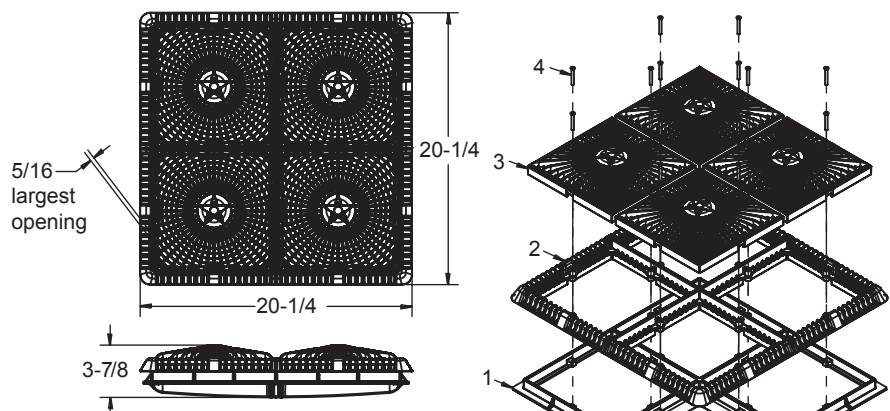
Grates fit: AquaStar (standard 18" square frames); Pentair (#1 selling with 3/4" deep existing window grid frame and 4x4 screw hole pattern)

STANDARD COLORS

- P18101 – White
- P18102 – Black
- P18103 – Light Gray
- P18104 – Blue
- P18105 – Dark Gray
- P18108 – Tan

Also available with four grates only
for 3/4" deep retrofits
p/n P18NFxxx

VGB 2008 Compliant



1. 18" drain frame
2. Vented riser ring for 18" frame
3. 9" square star suction outlet cover
4. 10 x 1-3/4" flat head Phillips Type A screw, 316 ss, qty 16