

18" SQUARE MUD FRAME WITH FOUR 9" SQUARE MOFLOW™ SUCTION OUTLET COVERS

VGB Series

The AquaStar line of suction outlet covers, compliant with the Virginia Graeme-Baker Pool and Spa Safety Act (ANSI/APSP 16-2011 and NSF/ANSI 50-2009a)

FEATURES

For single or multiple drain use
6" minimum sump depth
(see installation instructions)

Single –

Floor only: 293 GPM at .6 fps

147.1 square inch opening

Trademarked VGB compliance button easily identifies VGB 2008 compliant cover from on deck and underwater

#316 stainless steel screws

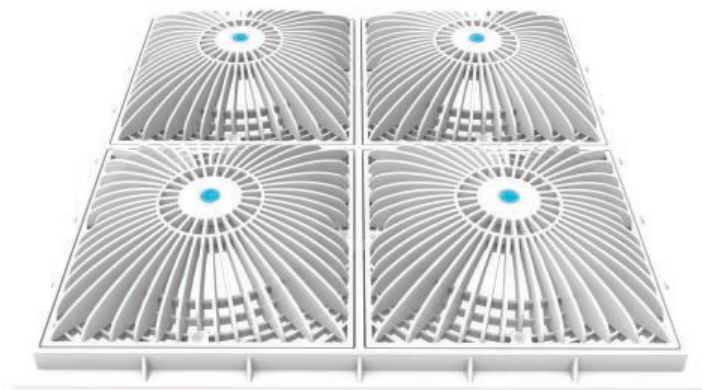
Manufactured from superior UV-resistant engineered polymers

See installation instructions for details and special requirements

All components (covers, frame, screws) meet or exceed ANSI/APSP 16-2011 and NSF/ANSI 50-2009a national standards and ASTM G154 UV testing exposure

Replace drain cover every five years from the date of installation

4 per case



Part # 18MFxxx

Grates fit: AquaStar (standard 18" square frames), Pentair (#1 selling) with 3/4" deep existing window grid frame and 4x4 screw hole pattern

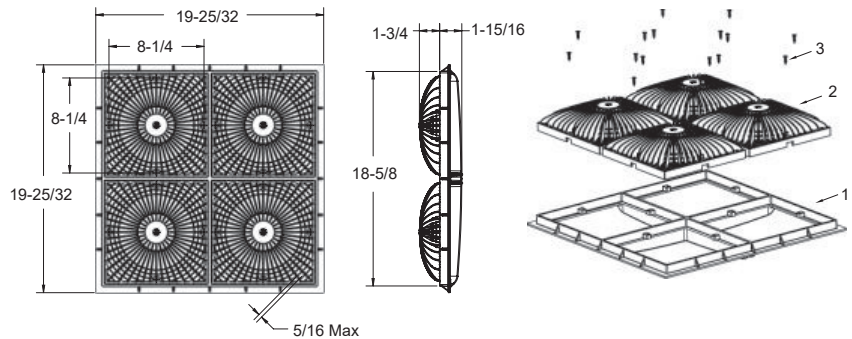
STANDARD COLORS

- 18MF101 – White
- 18MF102 – Black
- 18MF103 – Light Gray
- 18MF104 – Blue
- 18MF105 – Dark Gray
- 18MF108 – Tan

Also available with four grates only for 3/4" deep retrofits
p/n 18MFNFxxx

Also available with four grates only for 1" deep retrofits
p/n R18MFNFxxx

VGB 2008 Compliant



1. 18" Square Mud Frame
2. 9" Square MoFlow Suction Outlet Cover, Qty 4
3. 10 x 3/4" Flat Head Phillips, 316 SS, Qty 16