



High capacity and drought-tolerant



FEATURES

Can be installed alone or with Drain/
Vacuum Pre-Filter p/n SKZ111xxx
(see page 2 for installation options)

Large 19½" x 6" self-contained basket and
300-micron filter bag allow debris from suction
side vacuum to be pre-filtered before flowing
to the pump and filter baskets

Improves efficiency of pump by minimizing debris
collection in the pump's filter basket

Adjustable collar and lid G154 UV tested

Optional custom name/logo engraved on lid
(requires minimum 100 piece lid order)

Tall/narrow weir plate enables streamlined
installation and less water evaporation

Weir plate with easy snap in and out locks

Weir clip lock secures the clips in the weir door

Underwater dampers on face plate for noise
reduction on weir plate – especially on windy days

Super strong engineered polymer upper housing

Extra heavy duty PVC lower unit (no transitional
glue required)

2½" outside slip and 2" inside slip
(skimmer ports)

2" threads for pressure testing (inside skimmer)

Built-in overflow or fill line port

1 per case

U.S. and foreign patents pending

Available with three lid options:
round, square or snap-in round/square



Optional Installation with Drain/Vacuum Pre-Filter

See page 2 for installation options

See page 3 for lid options

Part # SKZ101xxx

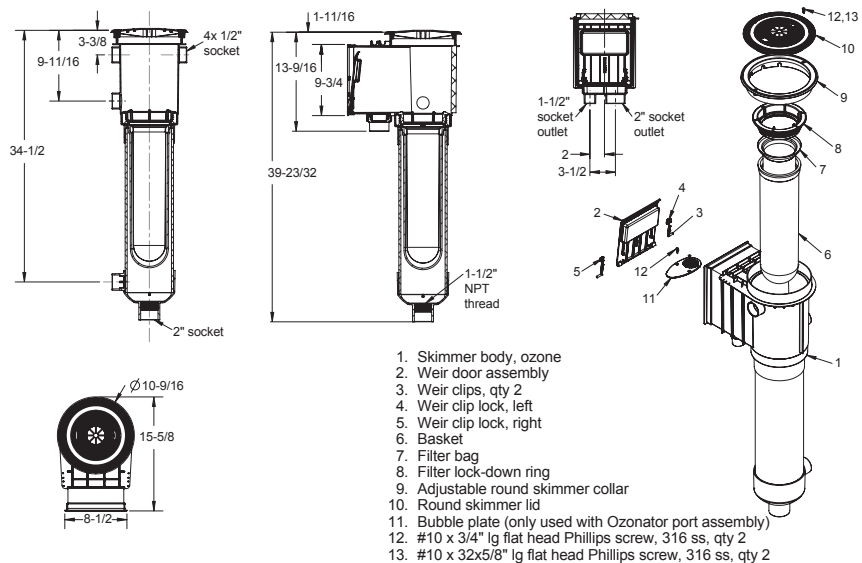
STANDARD COLORS

- SKZ101101 – White
- SKZ101102 – Black
- SKZ101103 – Light Gray
- SKZ101104 – Blue
- SKZ101105 – Dark Gray
- SKZ101108 – Tan

Also available without ozonator ports
p/n SKZ102xxx

Snap-in Round/Square Lid and Collar
(sold separately) p/n SK65xxx

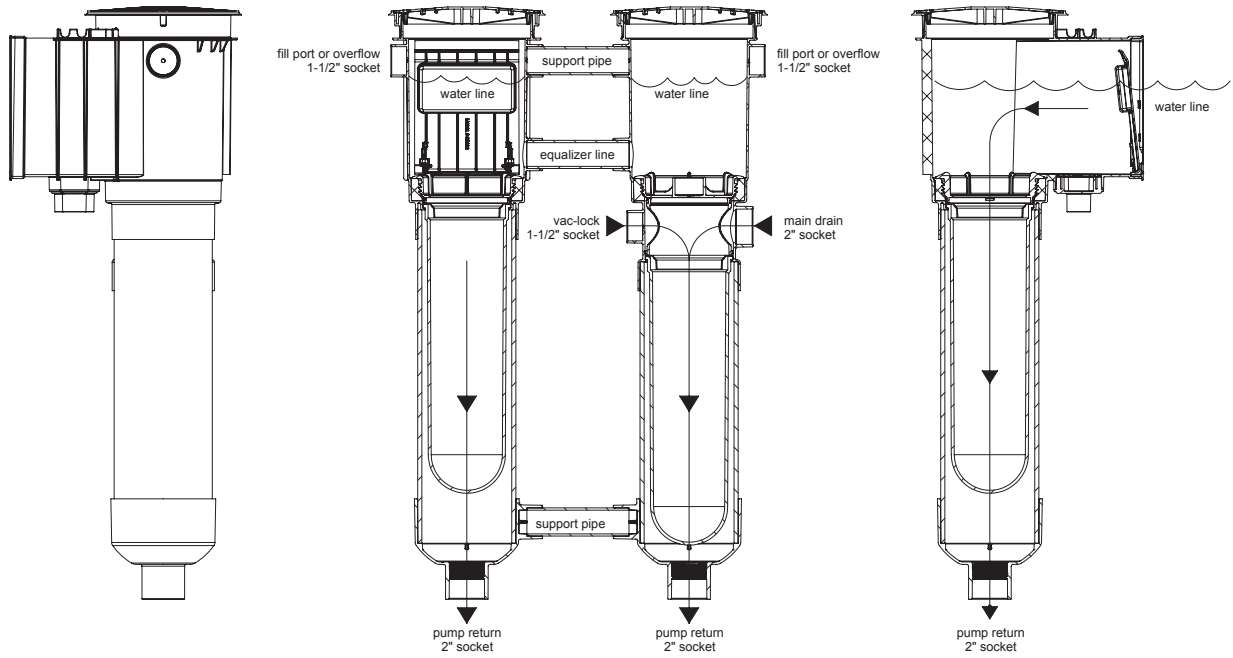
Square Lid and Collar (sold separately)
p/n SK64xxx



ZARSTAR™ INSTALLATION OPTIONS

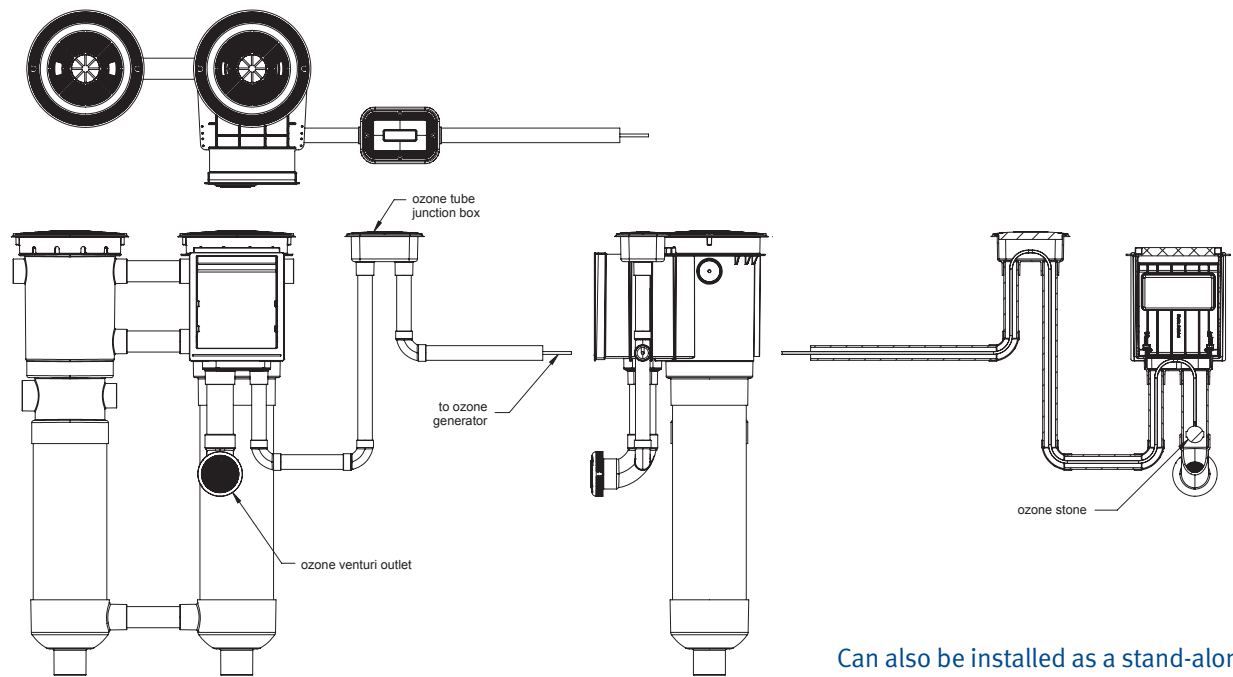
STANDARD COLORS 101 102 103 104 105 108

Zarstar Skimmer and Drain/Vacuum Pre-Filter Installation



Can also be installed as a stand-alone skimmer or drain/vacuum pre-filter

Zarstar Skimmer and Drain/Vacuum Pre-Filter Installation with Optional Ozonator

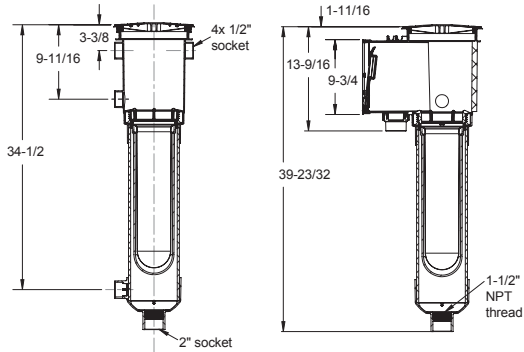


Can also be installed as a stand-alone skimmer with or without ozonator or as a stand-alone drain/vacuum pre-filter

ZARSTAR™ LID OPTIONS

STANDARD COLORS 101 102 103 104 105 108

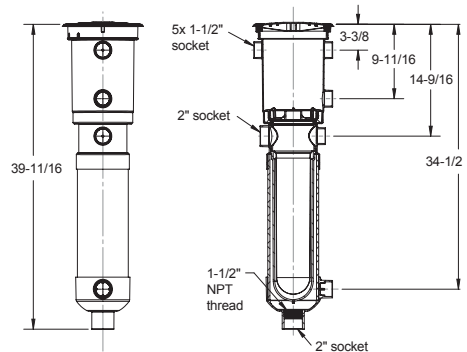
ZarStar™ Skimmer with Ozonator Ports and Round Lid



Part # SKZ101xxx

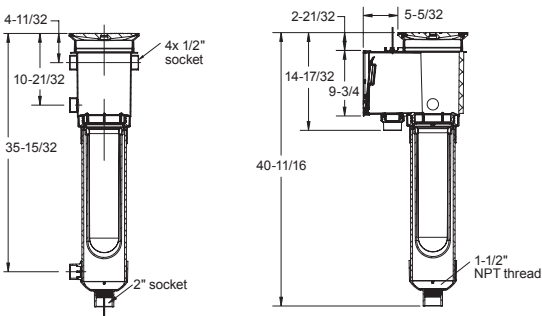
Available without ozonator p/n SKZ102xxx

ZarStar™ Drain/Vacuum Pre-Filter with Round Lid



Part # SKZ111xxx

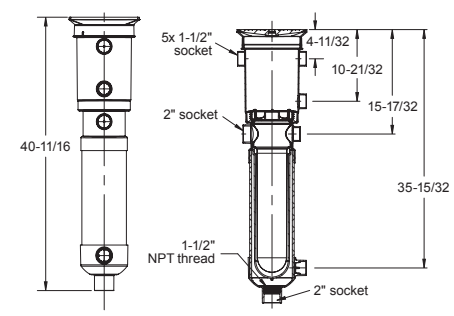
ZarStar™ Skimmer with Ozonator Ports and Square Lid



Part # SKZ10164xxx

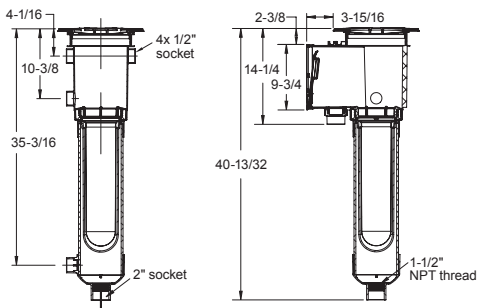
Available without ozonator p/n SKZ10264xxx

ZarStar™ Drain/Vacuum Pre-Filter with Square Lid



Part # SKZ11164xxx

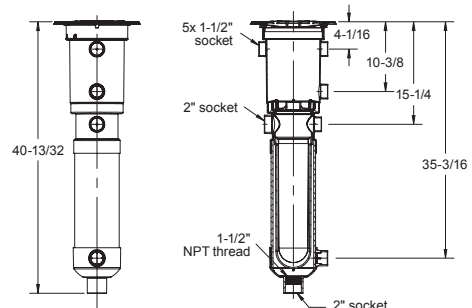
ZarStar™ Skimmer with Ozonator Ports and Snap-In Round/Square Lid



Part # SKZ10165xxx

Available without ozonator p/n SKZ10265xxx

ZarStar™ Drain/Vacuum Pre-Filter with Snap-In Round/Square Lid



Part # SKZ11165xxx