

THREE-PIECE DIRECTIONAL EYEBALL FITTING 1½" SLIP INSIDER

FEATURES

Slip and glue into standard 1½" pipe

Adjustable eyeball available in four orifice sizes
(1", ¾", ½", slotted)

Manufactured from engineered polymer
UV-resistant ABS material

250 per case

Orifice size part #s:

1" – SL81xx, ¾" – SL82xx,
½" – SL83xx, slotted – SL84xx
(i.e. SL8201 = white ¾" orifice)

Also available in Clear
(p/n SL8100, SL8200, SL8300, SL8400)

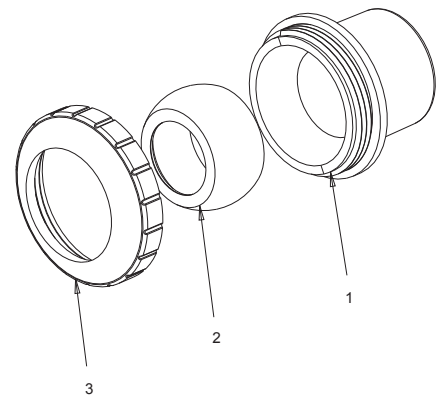
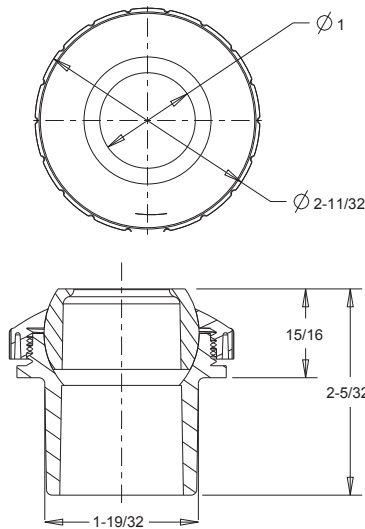
100



Part # SL8xxx

STANDARD COLORS

<input type="checkbox"/> 101	<input type="checkbox"/> 104
<input type="checkbox"/> 102	<input type="checkbox"/> 105
<input type="checkbox"/> 103	<input type="checkbox"/> 108



1. 1.5" directional slip insider, body
2. 100 series eyeball, 1" orifice
3. Standard eyeball locking ring