

12" SQUARE WAVE ANTI-ENTRAPMENT SUCTION OUTLET COVER, VENTED RISER RING AND MUD FRAME



VGB CERTIFIED SPECIFICATIONS

Floor Flow Rating
361 GPM at 1.3 fps

Wall Flow Rating
361 GPM at 1.3 fps

Sump Depth
3" minimum

Open Area
90.8 in²

FEATURES

All components meet or exceed ANSI/APSP 16-2011 and NSF/ANSI 50-2009a national standards and ASTM G154 UV testing exposure

Easily and safely retrofits to 12" square 3/4" deep frames

#316 stainless steel screws

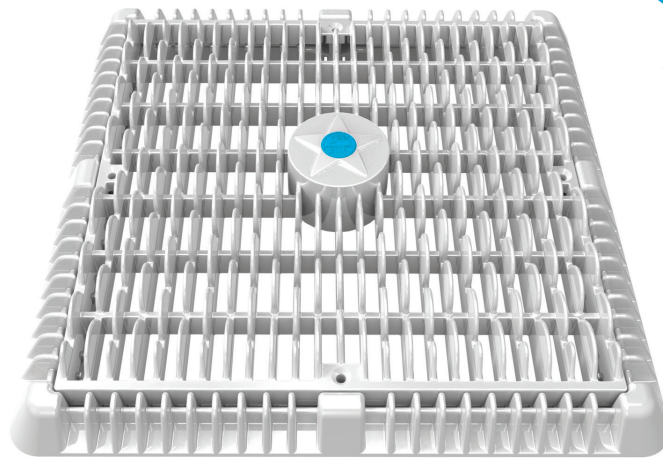
Manufactured from superior UV-resistant engineered polymers

Trademarked VGB compliance button easily identifies VGB 2008 compliant cover from on deck and underwater

Online product support including downloadable CAD files, certificate of conformity, third-party certificate, installation instructions and more

Replace drain cover every five years from the date of installation

6 per case



U.S. patents D623727 and D663388

Part # WAV12WRxxx

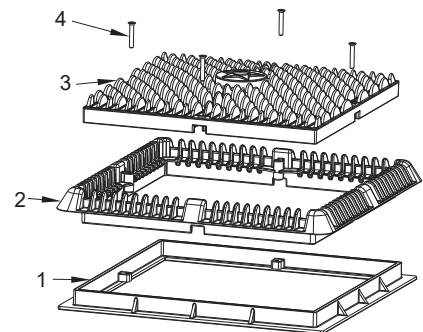
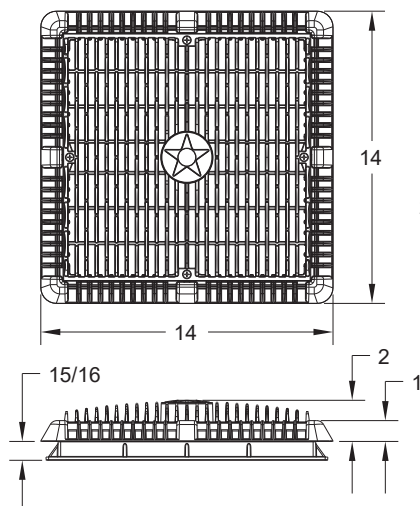
*Fits: AquaStar (all standard 12" square), Pentair (#1 selling) with 3/4" deep existing frames and four screw hole pattern

STANDARD COLORS

- WAV12WR101 – White
- WAV12WR102 – Black
- WAV12WR103 – Light Gray
- WAV12WR104 – Blue
- WAV12WR105 – Dark Gray
- WAV12WR108 – Tan

Replaces p/n P12xxx

VGB 2008 Compliant

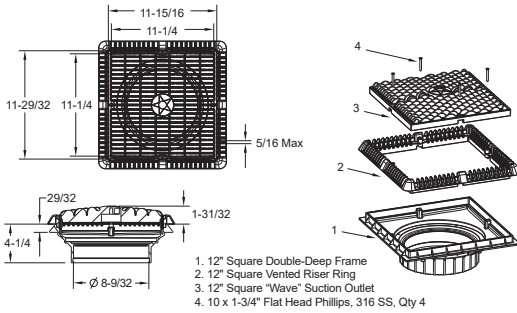
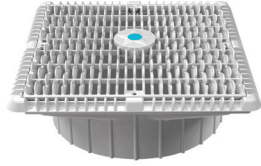


1. 12" Square Mud Frame
2. 12" Square Vented Riser Ring
3. 12" Square "Wave" Suction Outlet
4. 10 x 1-3/4" Flat Head Phillips, 316 SS, Qty 4

ADDITIONAL PRODUCT CONFIGURATIONS FOR WAV12WRXXX

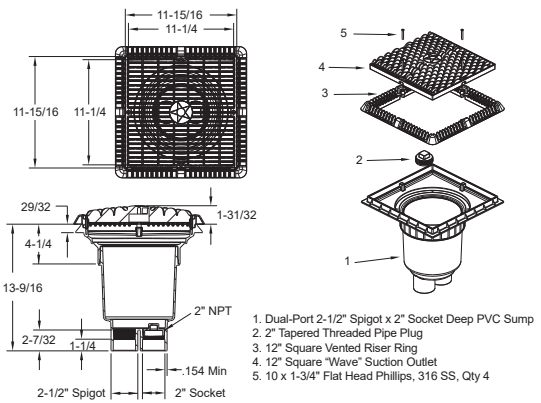
Double-Deep Sump

Part #
WAV12WRxxxA
4 per case



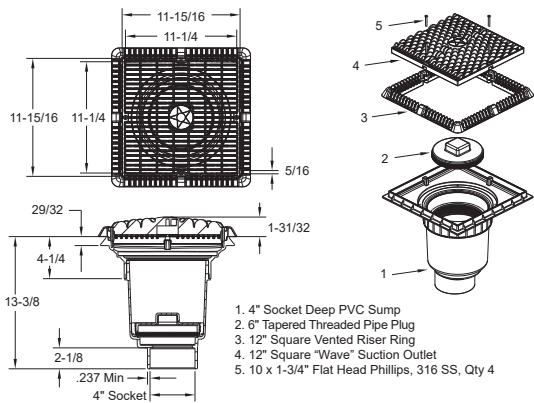
Dual-Port 2 1/2" Spigot x 2" Socket Deep PVC Sump

Part #
WAV12WRxxxB
1 per case



4" Socket Deep PVC Sump

Part #
WAV12WRxxxD
1 per case



6" Socket Deep PVC Sump

Part #
WAV12WRxxxF
1 per case

