

24" SQUARE FRAME WITH FOUR 12" SQUARE WAVE ANTI-ENTRAPMENT SUCTION OUTLET COVERS

VGB Series

The AquaStar line of suction outlet covers, compliant with the Virginia Graeme-Baker Pool and Spa Safety Act (ANSI/APSP 16-2011 and NSF/ANSI 50-2009a)

FEATURES

For single or multiple drain use
(see installation instructions)

Single – 12" sump depth
Floor/wall: 1444 GPM at 1.3 fps

Floor/wall: 1593.4 GPM at 1.5 fps
Floor/wall: 1062.2 GPM at 1.0 fps

When 1.0 or 1.5 fps installations are not required, always use the lower tested flow rate

340.8 square inch opening

Trademarked VGB compliance button easily identifies VGB 2008 compliant cover from on deck and underwater

#316 stainless steel screws

Manufactured from superior UV-resistant engineered polymers

See installation instructions for details and special requirements

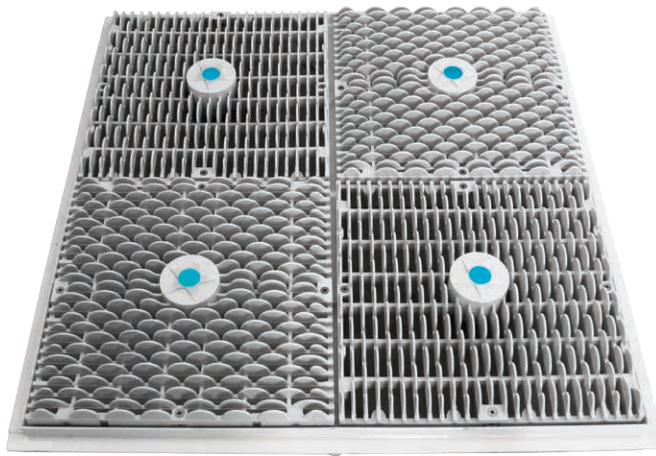
All components (covers, frame, screws) meet or exceed ANSI/APSP 16-2011 and NSF/ANSI 50-2009a national standards and ASTM G154 UV testing exposure

Replace every five years from the date of installation

1 per case

U.S. patent D623727

Single, unblockable! No second suction outlet or backup SVRS required



Grates fit: AquaStar (standard 24" square frames); Pentair (#1 selling) with 3/4" deep existing window grid frame and 4x4 screw hole pattern

Part # WAV24xxx

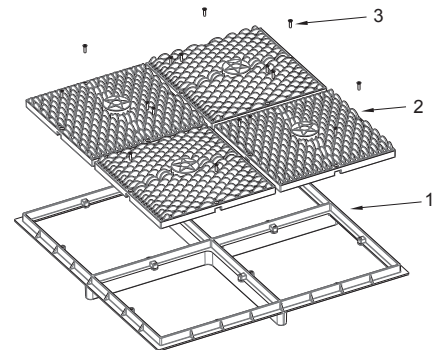
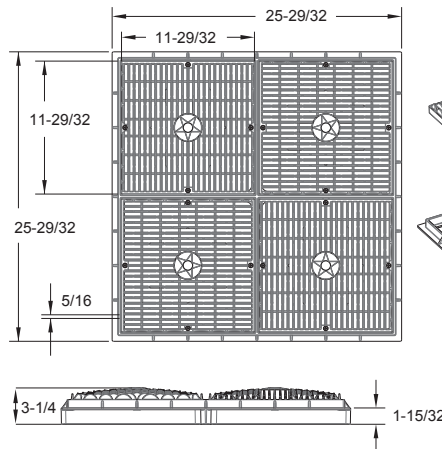
STANDARD COLORS

- WAV24101 – White
- WAV24102 – Black
- WAV24103 – Light Gray
- WAV24104 – Blue
- WAV24105 – Dark Gray
- WAV24108 – Tan

Replaces p/n P24xxx

Also available with four grates for 3/4" deep retrofits p/n WAV24NFxxx

VGB 2008 Compliant



1. 24" plastic frame
2. 12" x 12" square wave drain, qty 4
3. #10 x 3/4" lg flat head Phillips screw, 316 ss, qty 16