

# 9" SQUARE WAVE ANTI-ENTRAPMENT SUCTION OUTLET COVER, VENTED RISER RING AND MUD FRAME



Certified to  
NSF/ANSI/CAN 50  
ANSI/APSP/ICC-16 2017

Open Area  
48.4 in<sup>2</sup>

For SOFA Specific Flow Ratings and  
specifications please scan QR code or visit  
[www.aquastarpoolproducts.com/flowcode](http://www.aquastarpoolproducts.com/flowcode)



## FEATURES

Certified, Listed, and Labeled in conformance with APSP/ANSI/ICC-16 2017 and NSF/ANSI/CAN 50 standards

Easily and safely retrofits to 9" square 3/4" deep frames

Manufactured from superior UV-resistant engineered polymers

#316 stainless steel screws

Trademarked VGBA compliance button easily identifies VGBA 2017 compliant cover from on deck and underwater

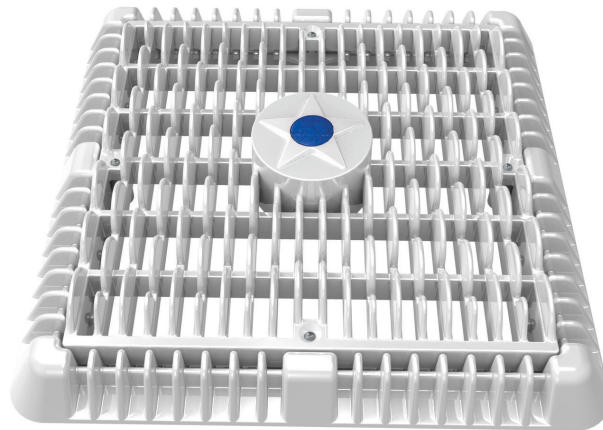
Online product support including downloadable CAD files, General Certificate of Conformity, third-party certificate, installation instructions and more

Replace drain cover every five years from the date of installation

See next page for additional product configurations

8 per case

U.S. Patent No. D623727 and D663388

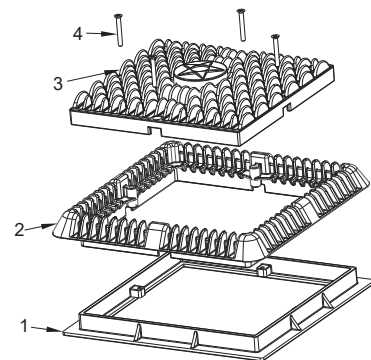
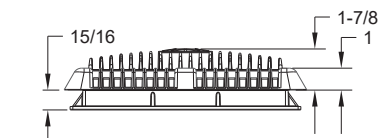
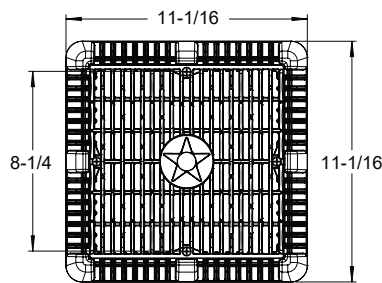


Part # WAV9WRxxx

Designed to replace standard 9" square covers that have a 8 1/4" center-to-center screw hole measurement with 3/4" deep existing frames

## STANDARD COLORS

- WAV9WR101 – White
- WAV9WR102 – Black
- WAV9WR103 – Light Gray
- WAV9WR105 – Dark Gray
- WAV9WR108 – Tan



1. 9" Square Mud Frame
2. 9" Square Riser Ring
3. 9" Square "Wave" Suction Outlet Cover
4. 10 x 1-3/4" Flat Head Phillips, 316 SS, Qty 4

P 877-768-2717 F 877-276-POOL Outside the US: P +1-949-336-1940 F +1-949-336-1940  
[info@aquastarpoolproducts.com](mailto:info@aquastarpoolproducts.com) [www.aquastarpoolproducts.com](http://www.aquastarpoolproducts.com)

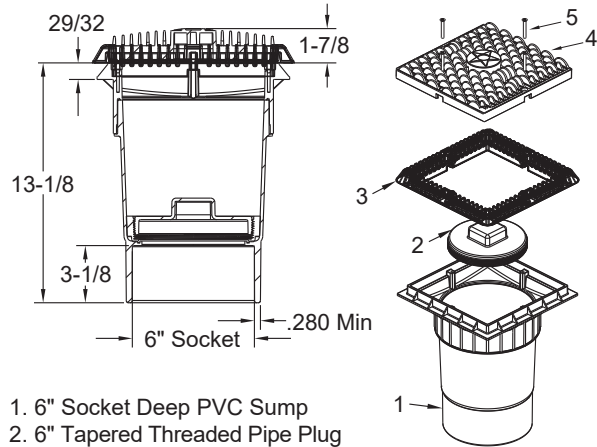
## 6" Socket Deep PVC Sump

**NSF**

Certified to  
NSF/ANSI/CAN 50  
ANSI/APSP/ICC-16 2017

**Open Area**  
48.4 in<sup>2</sup>

For SOFA Specific Flow Ratings and  
specifications please scan QR code or visit  
[www.aquastarpoolproducts.com/flowcode](http://www.aquastarpoolproducts.com/flowcode)



1. 6" Socket Deep PVC Sump
2. 6" Tapered Threaded Pipe Plug
3. 9" Square Vented Riser Ring
4. 9" Square "Wave" Suction Outlet Cover
5. 10 x 1-3/4" Flat Head Phillips, 316 SS, Qty 4

Part #  
WAV9WRxxxF  
2 per case

## 3" Socket x 4" Spigot Side Port PVC Sump

**NSF**

Certified to  
NSF/ANSI/CAN 50  
ANSI/APSP/ICC-16 2017

**Open Area**  
48.4 in<sup>2</sup>

For SOFA Specific Flow Ratings and  
specifications please scan QR code or visit  
[www.aquastarpoolproducts.com/flowcode](http://www.aquastarpoolproducts.com/flowcode)



**NEW** Hassle-free pressure testing  
and winterizing



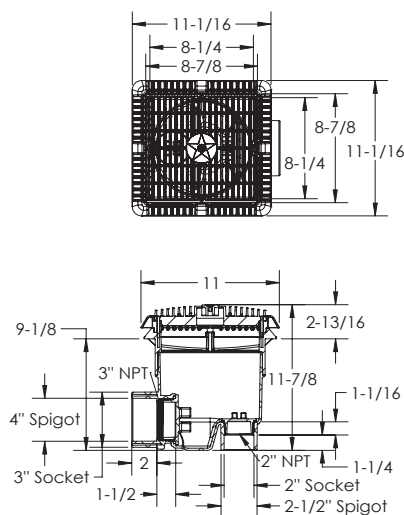
**Hassle-free pressure testing and winterizing**  
Comes with a 3" and 2" NPT cap with O-ring.  
No knock-outs required.



Optional 2" hydrostatic relief valve available p/n HV101

Part #  
WAV9WRxxxSSB  
1 per case

2" Plug and O-Ring, p/n 2SBP101  
3" Plug and O-Ring, p/n 3SBP101



1. Side Port Sump Bucket, 9" Square Frame
2. 2" Plug O-Ring
3. 2" NPT Plug
4. 3" Plug O-Ring
5. 3" NPT Plug
6. 9" Square Riser Ring
7. 9" Square "Wave" Suction Outlet Cover
8. 10 x 13/4" Flat Head Phillips, 316 SS, Qty 4