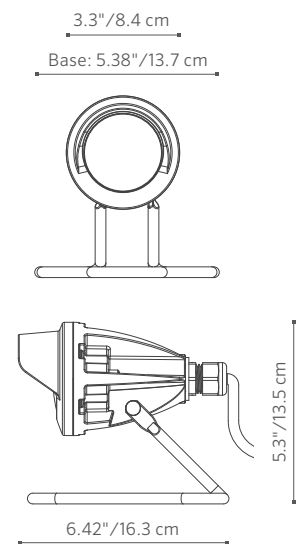




*The soothing ambiance created by a landscape water feature can be beautifully enhanced with well-designed lighting. The LL produces a powerful underwater light source to illuminate plants, rocks, fish, or a cascading waterfall. Filter options allow you to control shape, color, and strength of light output.*

## LL: Underwater Light

<b>NUMBER OF LEDs:</b>	1	3	6	9
<b>HALOGEN LUMEN OUTPUT EQUIVALENT:</b>	10 Watt	20 Watt	35 Watt	50 Watt
<b>USEFUL LED LIFE (L70):</b>	50,000 hrs avg	50,000 hrs avg	50,000 hrs avg	50,000 hrs avg
<b>INPUT VOLTAGE:</b>	10 to 15V	10 to 15V	10 to 15V	10 to 15V
<b>VA TOTAL: (Use to size the lighting controller)</b>	2.4	4.5	13.5	13.5
<b>WATTS USED:</b>	2.0	4.2	10.1	11.2
<b>LUMENS PER WATT (EFFICACY)</b>	25.4	31	31.8	31.1
<b>MAX LUMENS:</b>	-	133	282	378
<b>CRI (Ra)</b>	68.5	67.9	80.2	67.5





# LL: Underwater Light

**FACTORY INSTALLED OPTIONS:** Order 1 + 2 (optional) + 3 + 4 + 5 (optional)

Step	Description	Code
1	FIXTURE	LL
2	OPTIONAL ZD	ZD (Refer to the Luxor page in the Lighting Control section)
3	LAMP	3LED, 6LED, 9LED (50,000 avg. life hours)
4	FINISH	BS
5	LONG LEAD OPTION	100 (100 ft cable)

**EXAMPLE:** LL-ZD-1LED-BS = LL - ZD Option - 1LED Board - Brass Finish

**FIELD INSTALLED OPTIONS:** Order Individually

Beam Angle Lenses			
LENS OPTIONS	1LED	3LED	6/9LED
Diffuser 18° (preassembled)	770600	771300	771600
Flood Lens 30-32° (1 notch)	1LEDFLENS	3LEDFLENS	9LEDFLENS
Wide Flood Lens 56-58° (2 notches)	1LEDWFLENS	3LEDWFLENS	9LEDWFLENS

**METALS**



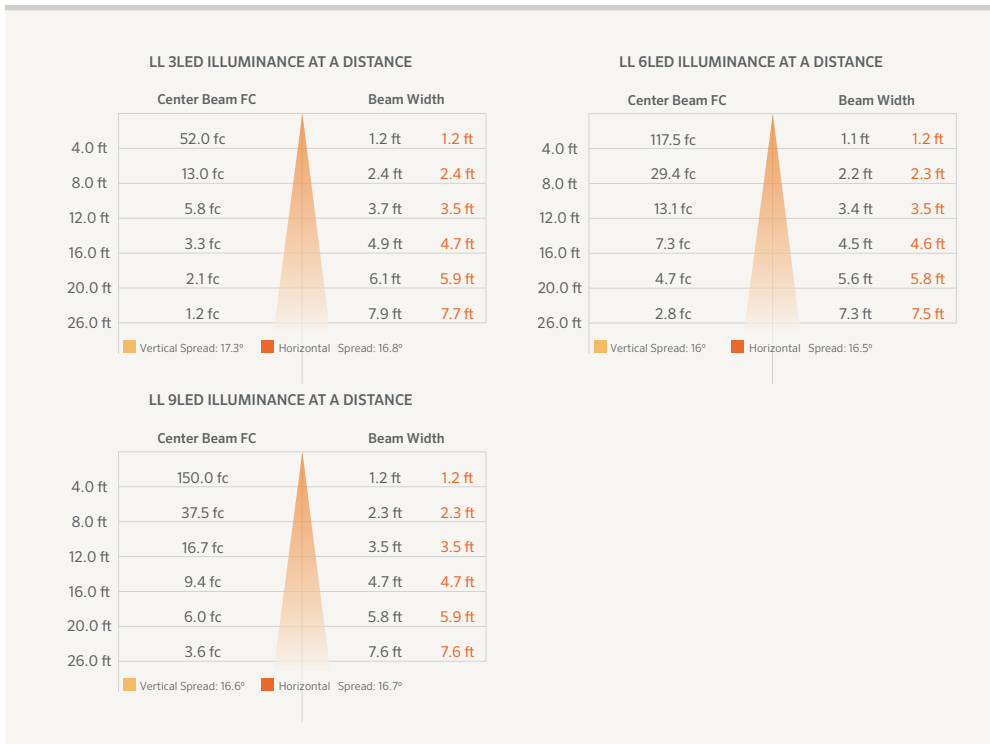
BS = Natural Brass

The LL includes choice of LED boards, 30 ft cable, and Natural Brass finish.



All LL underwater lights come standard with amber, green, blue and frosted filters

**PHOTOMETRICS:**



Beam angle is calculated using LM-79 method for SSL Luminaires:  
 "Beam angle is defined as two times the vertical angle at which the intensity is 50% of the maximum."