

NEW! Sentry™ Lifeguard Chair



Sentry™ 30" and 42" seat height lifeguard chairs

MADE IN U.S.A.

Designed to complement any aquatic environment, Sentry™ lifeguard chairs provide an elegant look that will stand the test of time.

- Outdoor furniture style and appeal
 - Constructed from HDPE for strength and low maintenance
 - Marine grade, 316 stainless steel hardware
 - Wheel kit available to facilitate transport
 - 30" chair comes with brackets for anchoring to pool deck, and 42" chair drilled to accept anchors*
 - Textured treads for slip resistant surface
 - Cup & umbrella holder
 - Conveniently ships in one box, easy to assemble
- * 3/8" concrete anchors recommended, but not provided



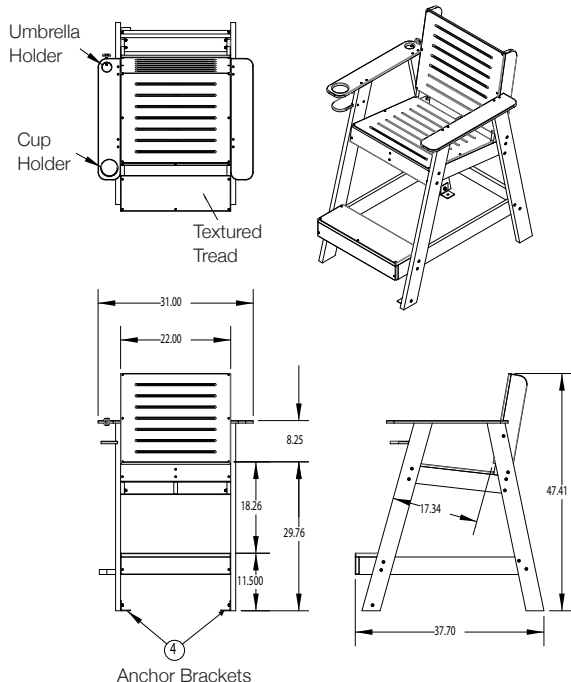
30" Chair Wheel Kit 42" Chair Wheel Kit

Model No.	Description	Shipping — Class 70			
		Weight	Length	Width	Height
SLGC-30	30" Sentry Lifeguard Stand	67 lbs	45"	19"	3"
SLGC-42	42" Sentry Lifeguard Stand	95 lbs	54"	19"	4"

Accessories & Replacement Parts

- 13-501 30" chair anchor brackets (included)
- 13-502 30" wheel kit
- 13-503 42" wheel kit
- 13-530 Hardware replacement kit for 30" chair
- 13-542 Hardware replacement kit for 42" chair

30" Sentry Lifeguard Chair



All measurements shown in inches

42" Sentry Lifeguard Chair

