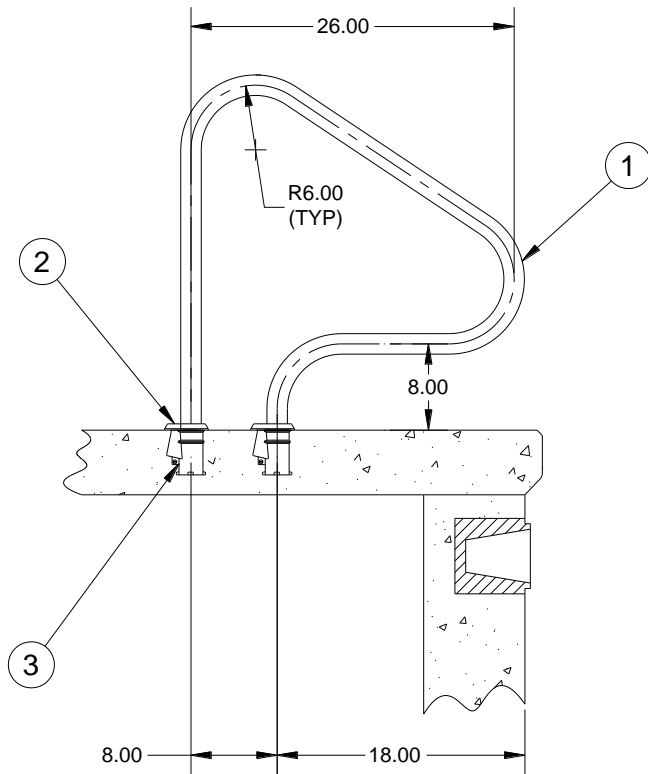
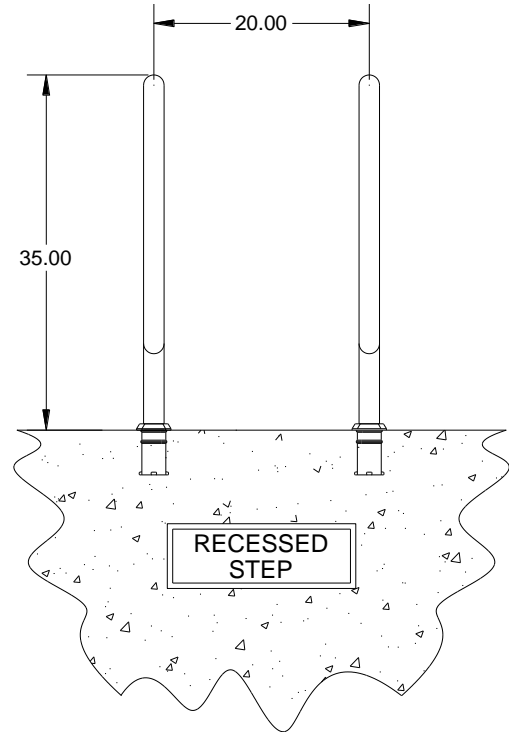


## 26in Figure 4 Handrail 1.9" OD



SIDE VIEW



FRONT VIEW

MODEL NUMBER	TUBE DIMENSIONS
10183	1.90" O.D. X .065" WALL
10184	1.90" O.D. X .109" WALL
10185	1.90" O.D. X .145" WALL

Specification Number:	<b>SRS-621</b>	
Product Description:	<b>Figure 4 Handrail</b>	
S.R. Smith Part Number:	<b>10183 to 10185</b>	Scale: NTS
Revision:	B	Date: 12/12/16
Written By:	K. Andrus-Hughes	Date: 12/12/16
Approved By:	B. Svendsen	Date: 12/12/16
Page 1 of 2	Proprietary and confidential: The information contained in this specification is the sole property of S.R. Smith LLC. Any reproduction in part or whole without the written consent of S.R. Smith LLC is prohibited.	

**S.R. Smith, LLC**  
P.O. Box 400, 1017 SW Berg Parkway  
Canby, Oregon 97013  
Tel: (888) 677-7776 (503) 266-2231  
Fax: (503) 266-4334  
[www.srsmith.com](http://www.srsmith.com)



# Product Specifications - Written

## 26in Figure 4 Handrail 1.9" OD

**Product Name:** Figure 4 Handrail

**Part Number:** 10183 to 10185

**General Notes:** The **Figure 4 Handrail** is a moderate height rail made of polished type 304 stainless steel. (add -MG to part number for 316L marine grade stainless steel). Sold in pairs

**Application:** With proper anchoring, the Figure 4 Handrail is suitable for use on poured concrete, shotcrete, fiberglass, and vinyl commercial pools and spas as well as for other applications in most geographic areas.

**Specifications:**

- Handrail:** The handrail is made of 1.90" O.D. (48.3 mm) type 304 polished stainless steel and is available in .065", .109" or .145" (1.65mm, 2.76mm, 3.68mm) wall thickness. All bends are a nominal 6" (152.4mm) radius.
- Escutcheon (Optional):** (p/n EP-100F or EP-100F-MG) The recommended escutcheon plates are 4.5" (114.3mm) in diameter and made of 304 or 316 stainless steel.
- Anchor Assembly (Optional)** (p/n AS-104MG): This recommended anchor socket is 316 marine grade stainless steel. It is intended for heavy-duty commercial use and secure fixtures by means of a wedge assembly. The anchor comes with a brass 1/4-20 UNC grounding screw for bonding.

**Additional Product Numbers and Shipping Weight:**

MODEL NUMBER	DESCRIPTION	SHIPPING WEIGHT
10183	26" Figure 4 Handrail 1.90" O.D. x .065 Wall	23lbs. (10.4kg)
10184	26" Figure 4 Handrail 1.90" O.D. x .109 Wall	36 lbs. (16.3kg)
10185	26" Figure 4 Handrail 1.90" O.D. x .145 Wall	45 lbs. (20.2kg)

Specification Number:	<b>SRS-621</b>	
Product Description:	<b>Figure 4 Handrail</b>	
S.R. Smith Part Number:	<b>10183 to 10185</b>	
Revision:	B	Date: 12/12/16
Written By:	K. Andrus-Hughes	Date: 12/12/16
Approved By:	B. Svendsen	Date: 12/12/16
Page 2 of 2	Proprietary and confidential: The information contained in this specification is the sole property of S.R. Smith LLC. Any reproduction in part or whole without the written consent of S.R. Smith LLC is prohibited.	

**S.R. Smith, LLC**  
**P.O. Box 400, 1017 SW Berg Parkway**  
**Canby, Oregon 97013**  
**Tel: (888) 677-7776 (503) 266-2231**  
**Fax: (503) 266-4334**  
**www.srsmith.com**