

Figure 4 – Commercial



- Tubing:
 - 1.50"OD – .120" wall thickness
 - 1.90"OD – .065", .109" or .145" wall thickness
 - Stainless Steel: 304 or 316L Marine Grade* (add –MG to part number)
 - Bends: 6" radius with 35-inch height
 - Options: Powder-coating and SealedSteel Salt Friendly available
 - Recommended Anchors: AS-204MG for 1.50" and AS-I04MG for 1.90" (order separately)
 - Recommended Escutcheons: EP-I50 or EP-I50-MG for 1.50" and EP-I00F or EP-I50-MG for 1.90" (order separately)
 - Sold as pairs
- * Minimum requirement for salt pools is 316L Marine Grade

30-inch Setback

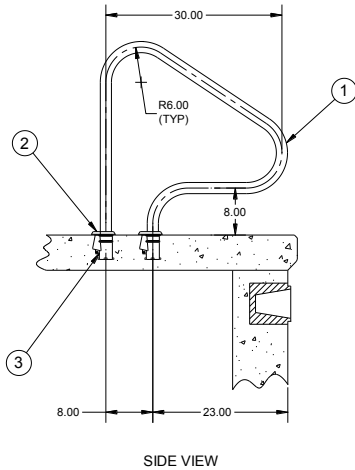


Figure 4 (30-inch setback)

Model No.	Description	Shipping			
		Weight	Length	Width	Height
10179	1.90"OD – .065" wall, pair	24 lbs 11kg	39" 99cm	32" 81cm	4" 10cm
10180	1.90"OD – .109" wall, pair	38 lbs 17kg	39" 99cm	32" 81cm	4" 10cm
10181	1.90"OD – .145" wall, pair	48 lbs 22kg	39" 99cm	32" 81cm	4" 10cm
12053	1.50"OD – .120" wall, pair	24 lbs 11kg	39" 99cm	32" 81cm	4" 10cm

26-inch Setback

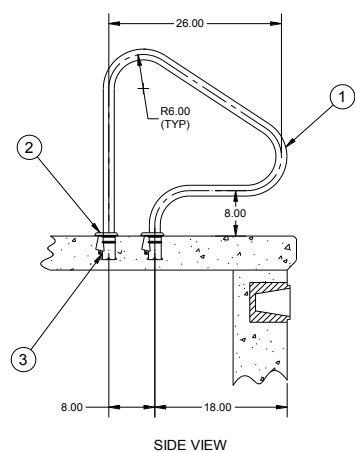


Figure 4 (26-inch setback)

Model No.	Description	Shipping			
		Weight	Length	Width	Height
10183	1.90"OD – .065" wall, pair	23 lbs 10kg	39" 99cm	32" 81cm	4" 10cm
10184	1.90"OD – .109" wall, pair	36 lbs 16kg	39" 99cm	32" 81cm	4" 10cm
10185	1.90"OD – .145" wall, pair	45 lbs 20kg	39" 99cm	32" 81cm	4" 10cm
12059	1.50"OD – .120" wall, pair	23 lbs 10kg	39" 99cm	32" 81cm	4" 10cm