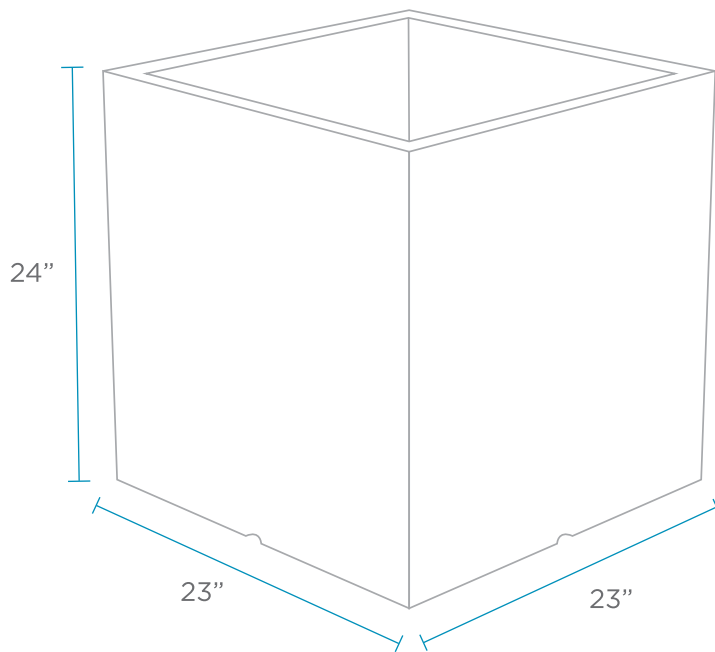


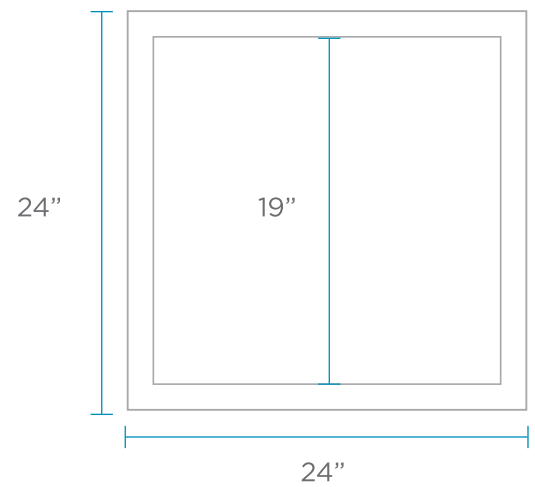
SQUARE PLANTERS SPECIFICATIONS - SMALL

WEIGHT: 50 LBS
DESIGNED FOR ON DECK USE

SIDE VIEW



TOP VIEW



FEATURES

- Designed for on deck use
- Perfect for residential or commercial use
- Built to withstand sun, weather, and chemicals of any aquatic environment
- Crafted of an ultra-strong, UV8 rated resin, color stabilized for up to 8000 hours of direct sun
- Self-draining with optional plugs
- Compatible with most self-watering systems

AVAILABLE RESIN COLORS

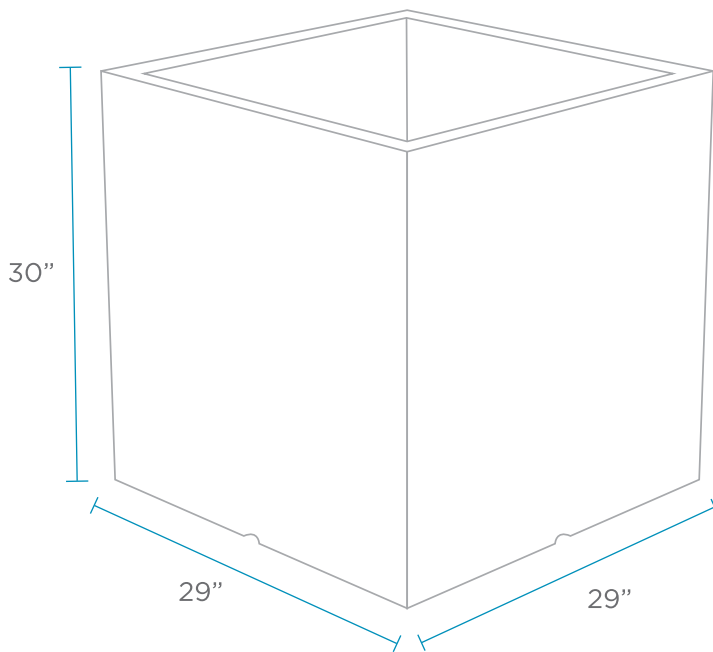


Over 400 fabric options available. See website for details.

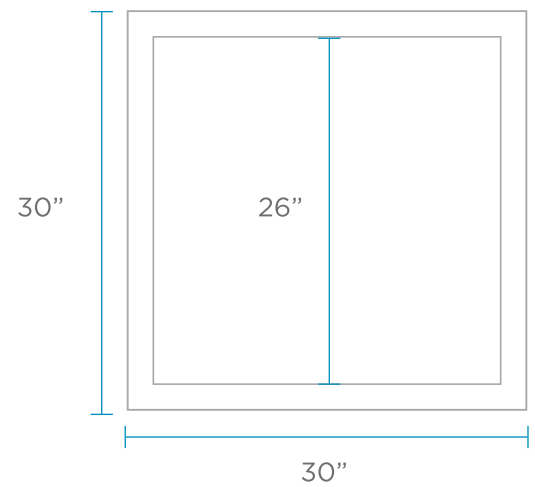
SQUARE PLANTERS SPECIFICATIONS - MEDIUM

WEIGHT: 55 LBS
DESIGNED FOR ON DECK USE

SIDE VIEW



TOP VIEW



FEATURES

- Designed for on deck use
- Perfect for residential or commercial use
- Built to withstand sun, weather, and chemicals of any aquatic environment
- Crafted of an ultra-strong, UV8 rated resin, color stabilized for up to 8000 hours of direct sun
- Self-draining with optional plugs
- Compatible with most self-watering systems

AVAILABLE RESIN COLORS

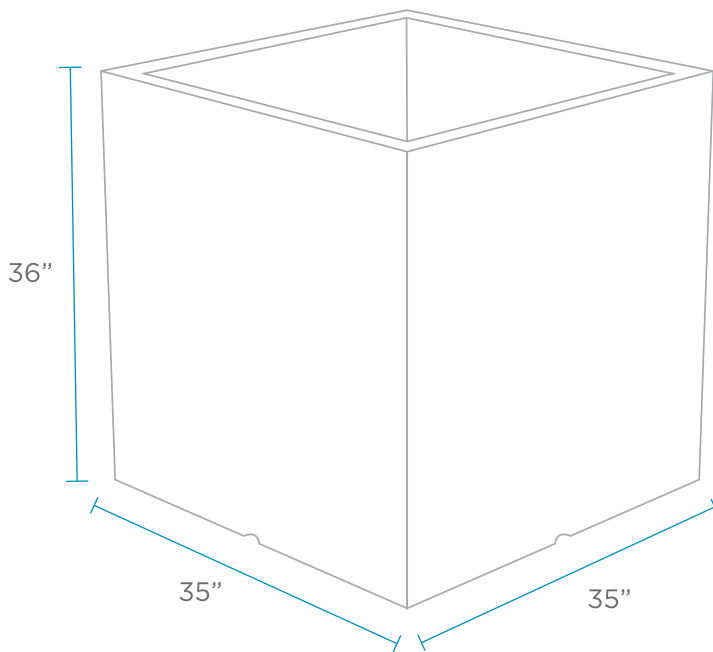


Over 400 fabric options available. See website for details.

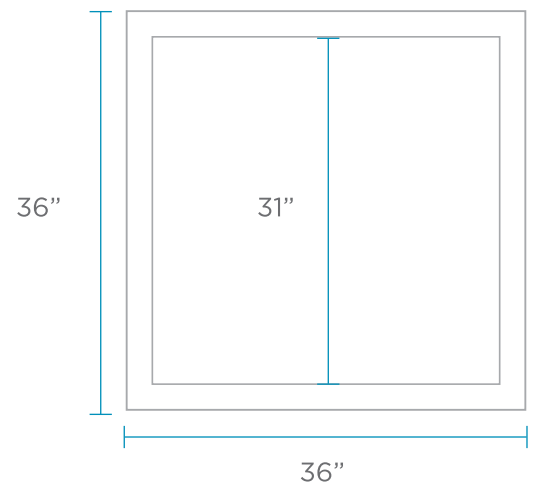
SQUARE PLANTERS SPECIFICATIONS - LARGE

WEIGHT: 120 LBS
DESIGNED FOR ON DECK USE

SIDE VIEW



TOP VIEW



FEATURES

- Designed for on deck use
- Perfect for residential or commercial use
- Built to withstand sun, weather, and chemicals of any aquatic environment
- Crafted of an ultra-strong, UV8 rated resin, color stabilized for up to 8000 hours of direct sun
- Self-draining with optional plugs
- Compatible with most self-watering systems

AVAILABLE RESIN COLORS



Over 400 fabric options available. See website for details.