

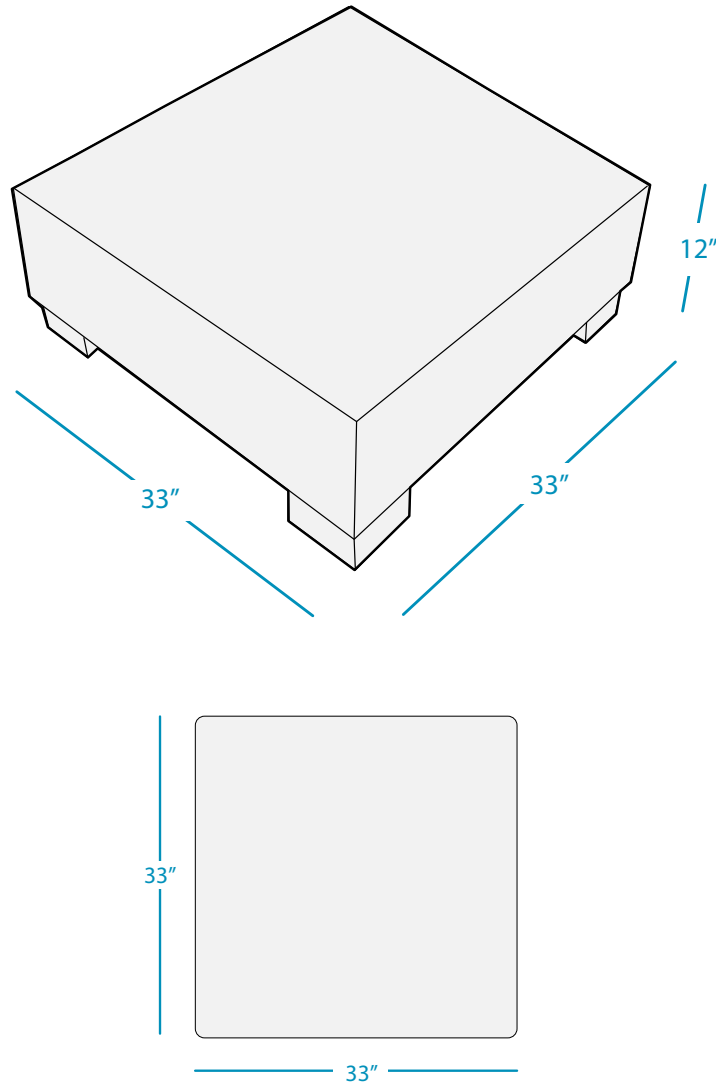
# SIGNATURE

## COFFEE TABLE

### SPECIFICATIONS

WEIGHT EMPTY: 35 LBS | WEIGHT FULL: 333 LBS

DESIGNED FOR USE IN UP TO 10" OF WATER OR ON-DECK



#### FEATURES

- Designed for up to 10" of water or on deck
- Perfect for residential or commercial use
- Built to withstand sun, weather, and chemicals of any aquatic environment
- Crafted of an ultra-strong, UV16 rated resin, color stabilized for up to 16,000 hours of direct sun
- Optional threaded plug system for in-water or anchored applications
- Large, flat surface maximizes personal storage space

#### AVAILABLE COLORS

