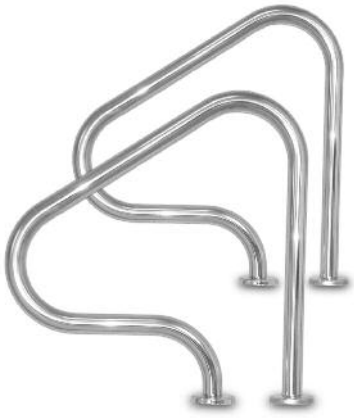


## FIGURE 4 GRAB RAIL:

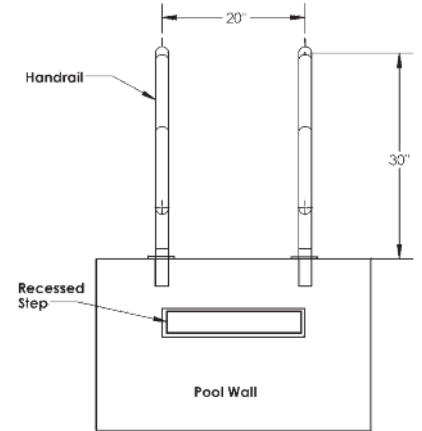
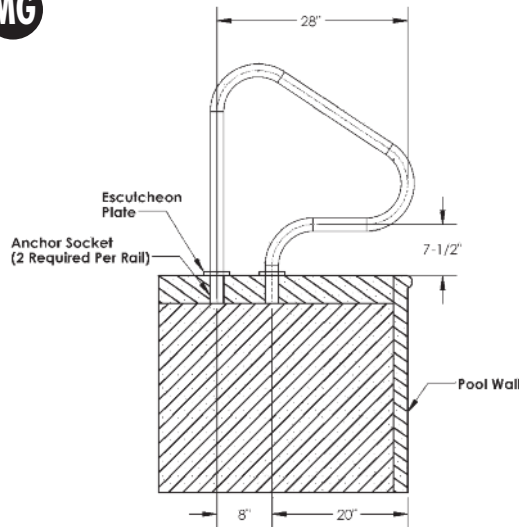


PC  
TP  
MG

### FEATURES:

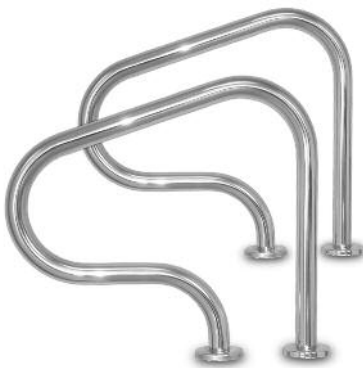
- .049" Wall Stainless Steel Construction
- Available in Commercial Grade .065"
- 304 SS and 316L
- 1.90" OD

Part # G3D049 (pair)  
Part # G3D049-SINGLE (single rail only)  
Part # G3D065 (pair, .065" wall)



**NOTE:** Escutcheons sold separately w/SS products; included with powder coated and thermo plastic coated ladders and rails.  
**All measurements on center.** Anchors are not included and recommended.

## ECONOMY FIGURE 4 GRAB RAIL:

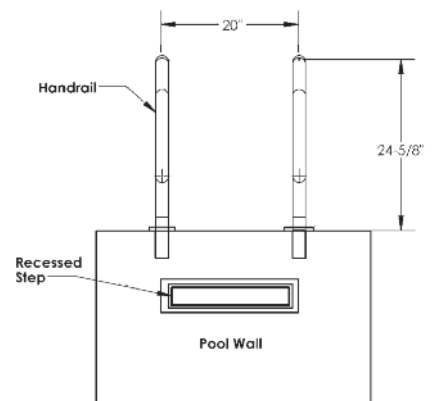
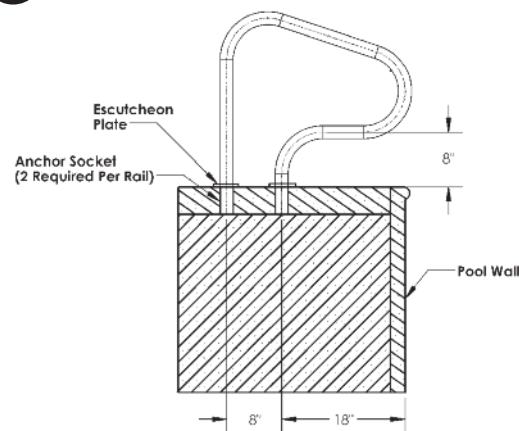


PC  
TP  
MG

### FEATURES:

- .049" Wall Stainless Steel Construction
- Available in Commercial Grade .065"
- Economy Figure 4 Grab Rail is Shorter in Height & Span than Figure 4 Grab Rail
- 304 SS and 316L
- 1.90" OD

Part # G3DE049 (pair)  
Part # G3DE049-SINGLE (single)  
Part # G3DE065 (pair .065 wall)



**NOTE:** Escutcheons sold separately w/SS products; included with powder coated and thermo plastic coated ladders and rails.  
**All measurements on center.** Anchors are not included and recommended.