



**HAYWARD**<sup>®</sup>  
COMMERCIAL AQUATICS

## Saline C<sup>®</sup> Series

ELECTRONIC SALT  
CHLORINE GENERATORS



# GIVE EVERY GUEST AN UPGRADE.



## Saline C<sup>®</sup> brings the luxury of salt-chlorinated water to any commercial pool.

Saline C Series electronic chlorine generators provide an elegant, rugged sanitization solution specifically designed to meet the high chlorine demand of commercial pools.

- » Saline C 6.0 can generate 6 lbs of chlorine per day, enough for a 60,000-gallon outdoor pool or a 90,000-gallon indoor pool\*
- » Saline C 11.0 can generate 11 lbs of chlorine per day, enough for a 110,000-gallon outdoor pool or a 165,000-gallon indoor pool\*
- » Compact design with a single electrolytic cell
- » Features reverse polarity self-cleaning technology
- » Compatible with chemical automation systems
- » Simple, low-cost installation versus multi-cell alternatives
- » NSF certified

### WHY CHOOSE SALT CHLORINATION?

- » Softer, silkier water your guests will love
- » Eliminate the need to transport, handle and store hazardous chemical chlorine
- » Reduce chloramines—and the odors and corrosion that come with them
- » Cut chlorine costs by 40% to 60%
- » Lower cost of ownership over time

\*Please check local codes. The sizing provided is based on: 1 lb of chlorine production per 10,000 gallons of water volume (outdoor pools); 1/2 lb of chlorine production per 10,000 gallons of water volume (indoor pools)





**SALINE C 6.0 AND 11.0 VESSEL FEATURES**

**Multiple inlet/outlet configurations** with 4" union connections  
*(2" union connections on Saline C 6.0)*

**Engineered thermoplastic housing** provides industrial-grade durability

**Clear vessel** for easy visual inspection

**Convenient drain plug**

**SIMPLE ONE-MINUTE ELECTRODE CLEANING OR REPLACEMENT**



**STEP 1:**  
Twist and remove lid



**STEP 2:**  
Lift lid and remove electrode from inside vessel



**STEP 3:**  
Replace with clean or new lid/electrode assembly

**Single-button output control** is adjustable from 5% to 100% *(Saline C 6.0 model only)*

**Dual Control Mode** for precise chlorine production management *(Saline C 11.0 model only)*

**Clear LED read-out** with low salt warning indicator

**Male pigtail** for compatibility with pH and ORP chemical controllers

110V single plug-in energy-efficient switch-mode power supply

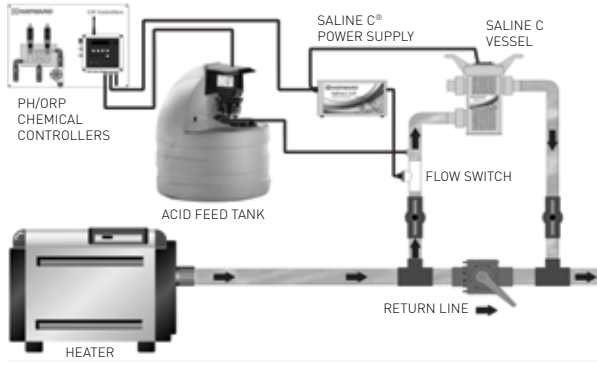


**TRY IT WITH**

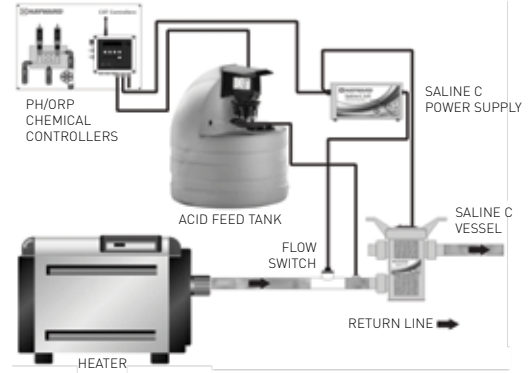


Plug your Saline C Series salt chlorine generator into one of our **CAT Controllers®** to transform it into a totally automated water quality management solution. Via the innovative **PoolComm®** partner app, you can enjoy the convenience of remote monitoring and audit tracking of multiple pools from any iPhone®, Android™ or other web-enabled mobile device.

## BYPASS INSTALLATION

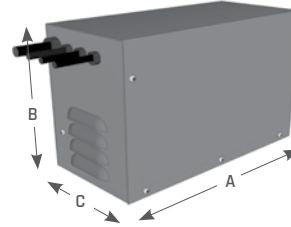


## IN-LINE INSTALLATION



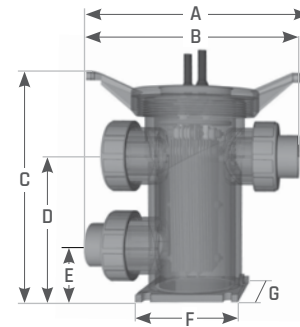
### TECHNICAL SPECIFICATIONS

PART NUMBER	HCSC60	HCSC110
Power Supply Dimensions	12" W x 8" H x 5.625" D	12.75" W x 8" H x 11.125" D
Vessel Dimensions	13.5" W x 15.75" H x 6" D	16.06" W x 22.42" H x 9.28" D
Certifications	UL1081, CSA C22, NSF/ANSI 50	UL1081, CSA C22, NSF/ANSI 50
LCD Display	Output adjustable 0 - 100%	[2] Output adjustable 0 - 100%
Flow Sensor	2" Magnetic with embedded reed switch	4" Magnetic with embedded reed switch
Power Input (Power Supply)	USA: 5.0 amps, 120V/60Hz International: 4.0 amps, 230V/50Hz	USA: 10.0 amps, 120V/50/60Hz International: 8.0 amps, 230V/50/60Hz
ORP Input	Cord with male pigtail connected (supplied blue cord)	Cord with male pigtail connected (supplied blue cord)
Vessel Rated Pressure	50 psi	50 psi
Housing Inlet/Outlet	2" Union inlet/outlet	4" Union inlet/outlet
Reaction Chamber Style	Clear plastic	Clear plastic
Flow Required	40 gpm through cell to achieve rated production	80 gpm through cell to achieve rated production
Maximum Flow Rate	125 gpm	250 gpm
Salt Operating Range	3,500 - 5,000 ppm	3,500 - 5,000 ppm
Electrode Stack	Reverse polarity 4mm plate gap	Reverse polarity 4mm plate gap
Production Capacity	5.0 lbs @ 3,500 ppm* 6.0 lbs @ 5,000 ppm*	9.2 lbs @ 3,500 ppm** 10.8 lbs @ 5,000 ppm**
Safety System	5 gpm low flow shutoff Low salt indicator Low salt shutoff (2,500-3,000 ppm) Over voltage and over current protection Conformal coated electronics for environmental protection	5 gpm low flow shutoff Low salt indicator Low salt shutoff (2,500-3,000 ppm) Over voltage and over current protection Conformal coated electronics for environmental protection
Warranty	2-year warranty Warranty pro-rated on electrode stack	2-year warranty Warranty pro-rated on electrode stack



### POWER SUPPLY DIMENSIONS

	SALINE C 6.0	SALINE C 11.0
A	12"	12.75"
B	8"	8"
C	5.625"	11.125"



### VESSEL DIMENSIONS

	SALINE C 6.0	SALINE C 11.0
A	13.5"	16.06"
B	12.875"	15.56"
C	15.75"	22.42"
D	9.5"	14.83"
E	3.25"	4.83"
F	6"	6"
G	6"	6"

### ACCESSORIES

PART NUMBER	DESCRIPTION	CARTON QUANTITY	CARTON WEIGHT (LBS.)
HCSBP3-KIT	3" Commercial Salt Chlorine Generator - Bypass Kit	1	16.0
HCSBP4-KIT	4" Commercial Salt Chlorine Generator - Bypass Kit	1	19.0
HCSJBOX-BU	Junction Box for Sanitizer Back-up	1	3.0
HCSCECK15	15' Cell to Power Supply - Extension Cable Kit	1	5.0
HCSCECFS15	15' Flow Sensor to Power Supply - Extension Cable Kit	1	5.0

\*NSF Certified at 5 lbs. per day.

\*\*NSF Certified at 10 lbs. per day.

» [haywardcommercialpool.com](http://haywardcommercialpool.com) » (301) 838-4001

Saline C Series are listed by:



Hayward, Hayward & Design, the H logo, CAT Controllers, PoolComm and Saline C are registered trademarks of Hayward Industries, Inc. All other trademarks not owned by Hayward are the property of their respective owners. Hayward is not in any way affiliated with or endorsed by those third parties. © 2017 Hayward Industries, Inc.

LITCSC611A17

