

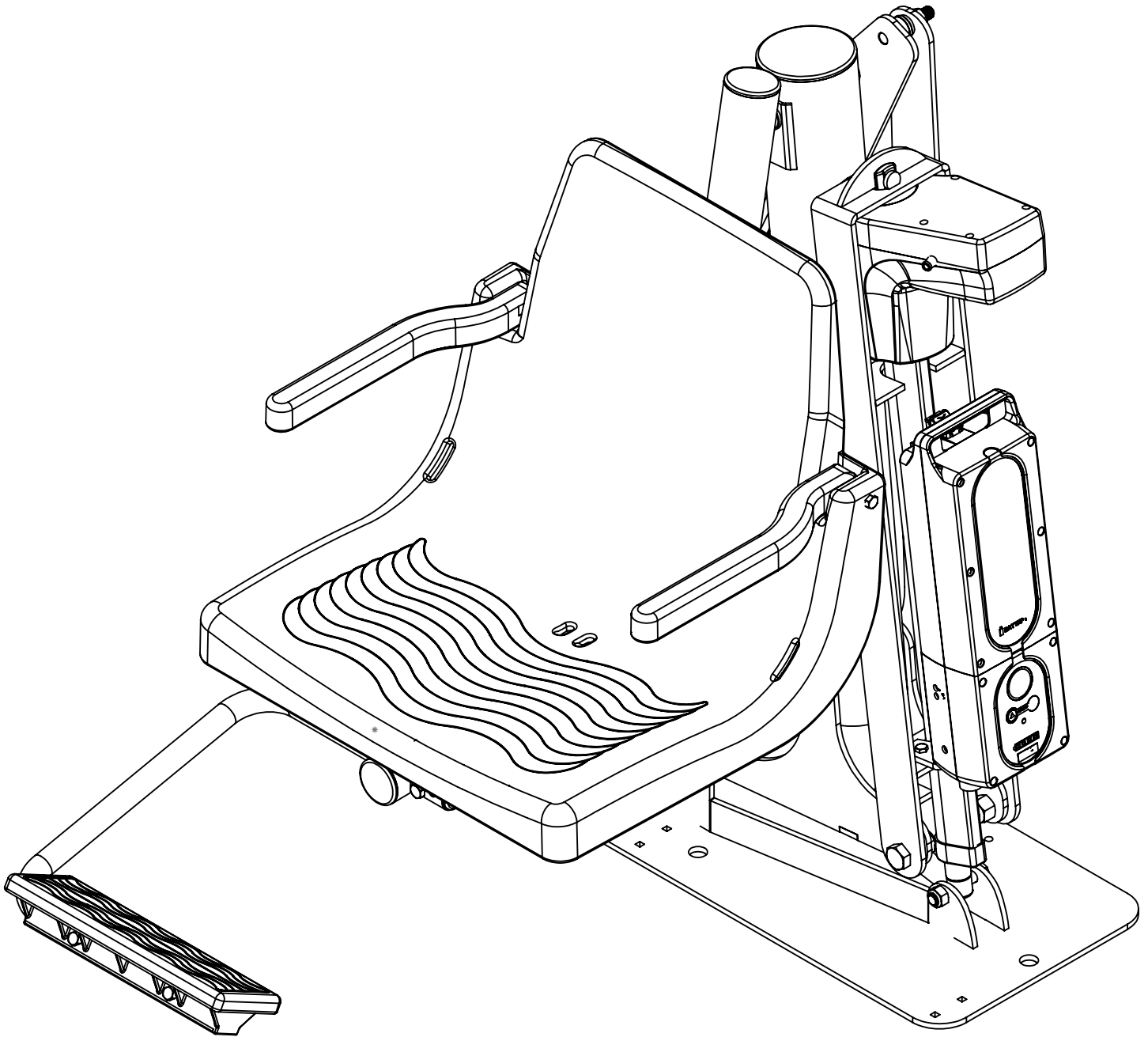
NOTES:

REV.

DESCRIPTION

DATE

APVD.



MATERIAL:

SCALE: 1:6	REV: 100	DATE: 12/12/2012	DWR: B.E.
WEIGHT: LBS	MACH WEIGHT: LBS	APVD BY: J.I.	

DO NOT SCALE DRAWING
UNLESS OTHERWISE SPECIFIED
DIMENSIONS ARE IN INCHES
TOLERANCES ARE:

X. = ±.125
XX. = ±.062
XXX. = ±.031

FRACTIONAL DIMENSIONS ±.125
FILLET RADIUS .000 THRU +.094
HOLES .000 THRU .015
ANGLES ± 1 DEGREE

PROPRIETARY AND CONFIDENTIAL

THE INFORMATION CONTAINED IN THIS DRAWING IS THE SOLE
PROPERTY OF Global Lift Corporation. ANY REPRODUCTION IN
PART OR AS A WHOLE WITHOUT THE WRITTEN PERMISSION OF
Global Lift Corp. IS PROHIBITED.



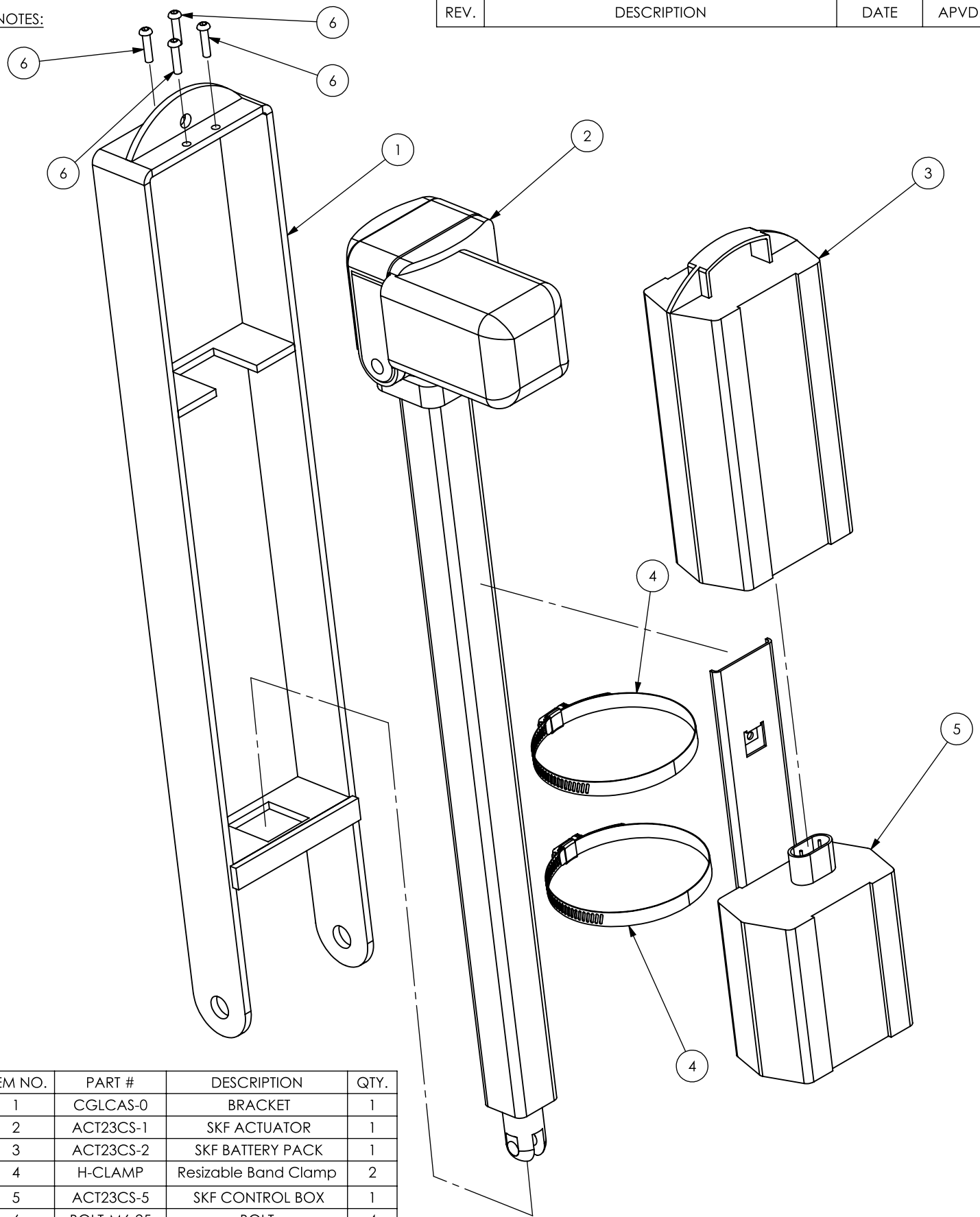
684 N. Port Crescent, Suite C
Bad Axe, MI 48413

TITLE: C-375

DWG. NO.
ASSEMBLY MANUAL

NOTES:

REV.	DESCRIPTION	DATE	APVD.
------	-------------	------	-------



ITEM NO.	PART #	DESCRIPTION	QTY.
1	CGLCAS-0	BRACKET	1
2	ACT23CS-1	SKF ACTUATOR	1
3	ACT23CS-2	SKF BATTERY PACK	1
4	H-CLAMP	Resizable Band Clamp	2
5	ACT23CS-5	SKF CONTROL BOX	1
6	BOLT-M6-25	BOLT	4

SCALE: 1:4	REV: 100	DATE: 12/12/2012	DWR: B.E.
WEIGHT: LBS	MACH WEIGHT: LBS	APVD BY: J.I.	

DO NOT SCALE DRAWING
UNLESS OTHERWISE SPECIFIED
DIMENSIONS ARE IN INCHES
TOLERANCES ARE:
X. = ±.125
XX. = ±.062
XXX. = ±.031
FRACTIONAL DIMENSIONS ±.125
FILLET RADIUS .000 THRU +.094
HOLES .000 THRU .015
ANGLES ± 1 DEGREE

PROPRIETARY AND CONFIDENTIAL
THE INFORMATION CONTAINED IN THIS DRAWING IS THE SOLE
PROPERTY OF Global Lift Corporation. ANY REPRODUCTION IN
PART OR AS A WHOLE WITHOUT THE WRITTEN PERMISSION OF
Global Lift Corp. IS PROHIBITED.



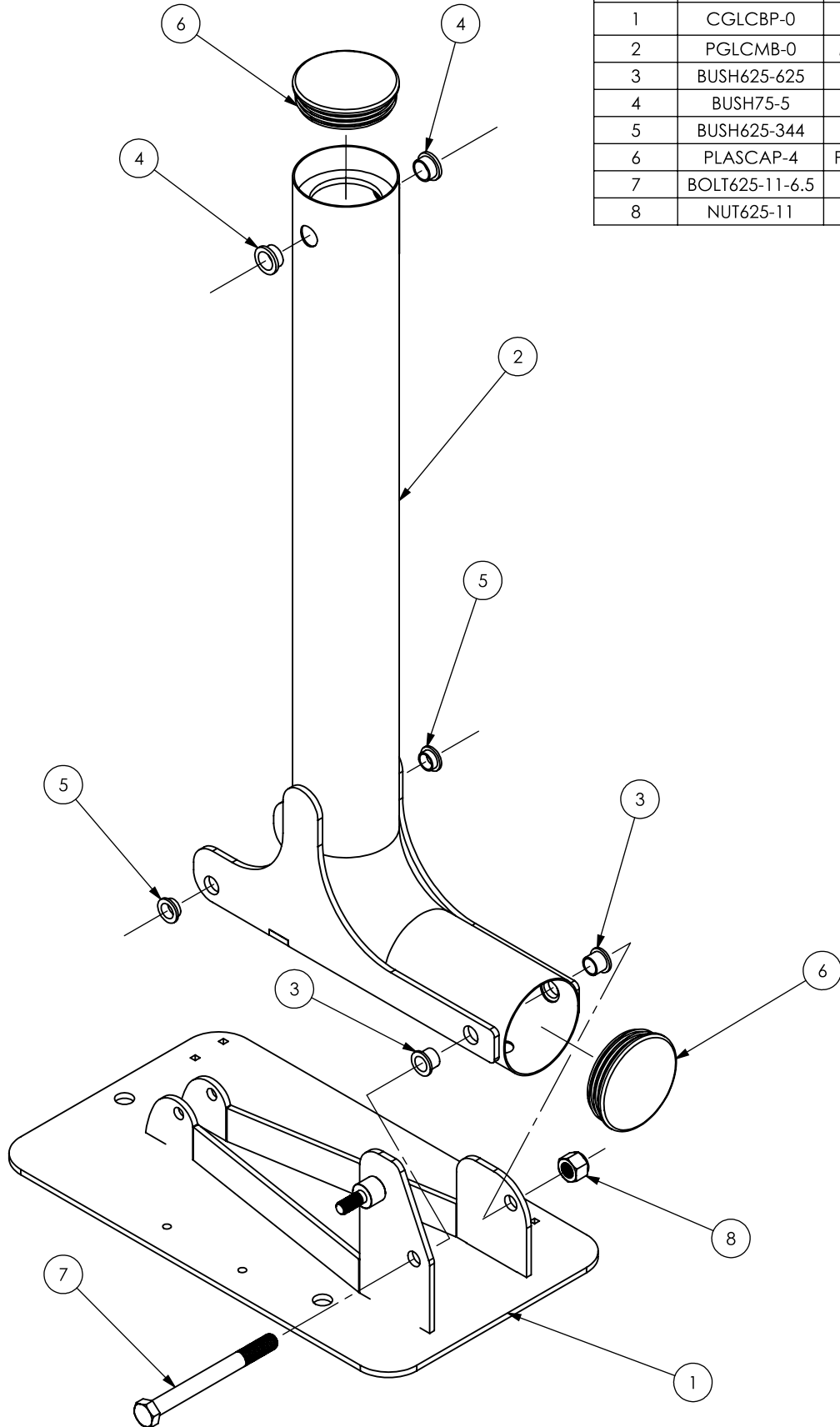
684 N. Port Crescent, Suite C
Bad Axe, MI 48413

TITLE: C-375 SKF ACTUATOR & BATTERY INSTALLATION
DWG. NO. SKFACTBATASM

NOTES:

REV.	DESCRIPTION	DATE	APVD.
------	-------------	------	-------

ITEM NO.	PART #	DESCRIPTION	QTY.
1	CGLCBP-0	BASE PLATE	1
2	PGLCMB-0	MAIN BEAM	1
3	BUSH625-625	BUSHING	2
4	BUSH75-5	BUSHING	2
5	BUSH625-344	BUSHING	2
6	PLASCAP-4	PLASTIC CAP	2
7	BOLT625-11-6.5	BOLT	1
8	NUT625-11	NUT	1



MATERIAL:

SCALE: 1:6	REV: 100	DATE: 12/12/2012	DWR: B.E.
WEIGHT: LBS	MACH WEIGHT: LBS	APVD BY: J.I.	

DO NOT SCALE DRAWING
UNLESS OTHERWISE SPECIFIED
DIMENSIONS ARE IN INCHES
TOLERANCES ARE:
X. = ±.125 FRACTIONAL DIMENSIONS ±.125
XX. = ±.062 FILLET RADIUS .000 THRU +.094
XXX. = ±.031 HOLES .000 THRU .015
ANGLES ± 1 DEGREE

PROPRIETARY AND CONFIDENTIAL
THE INFORMATION CONTAINED IN THIS DRAWING IS THE SOLE
PROPERTY OF Global Lift Corporation. ANY REPRODUCTION IN
PART OR AS A WHOLE WITHOUT THE WRITTEN PERMISSION OF
Global Lift Corp. IS PROHIBITED.



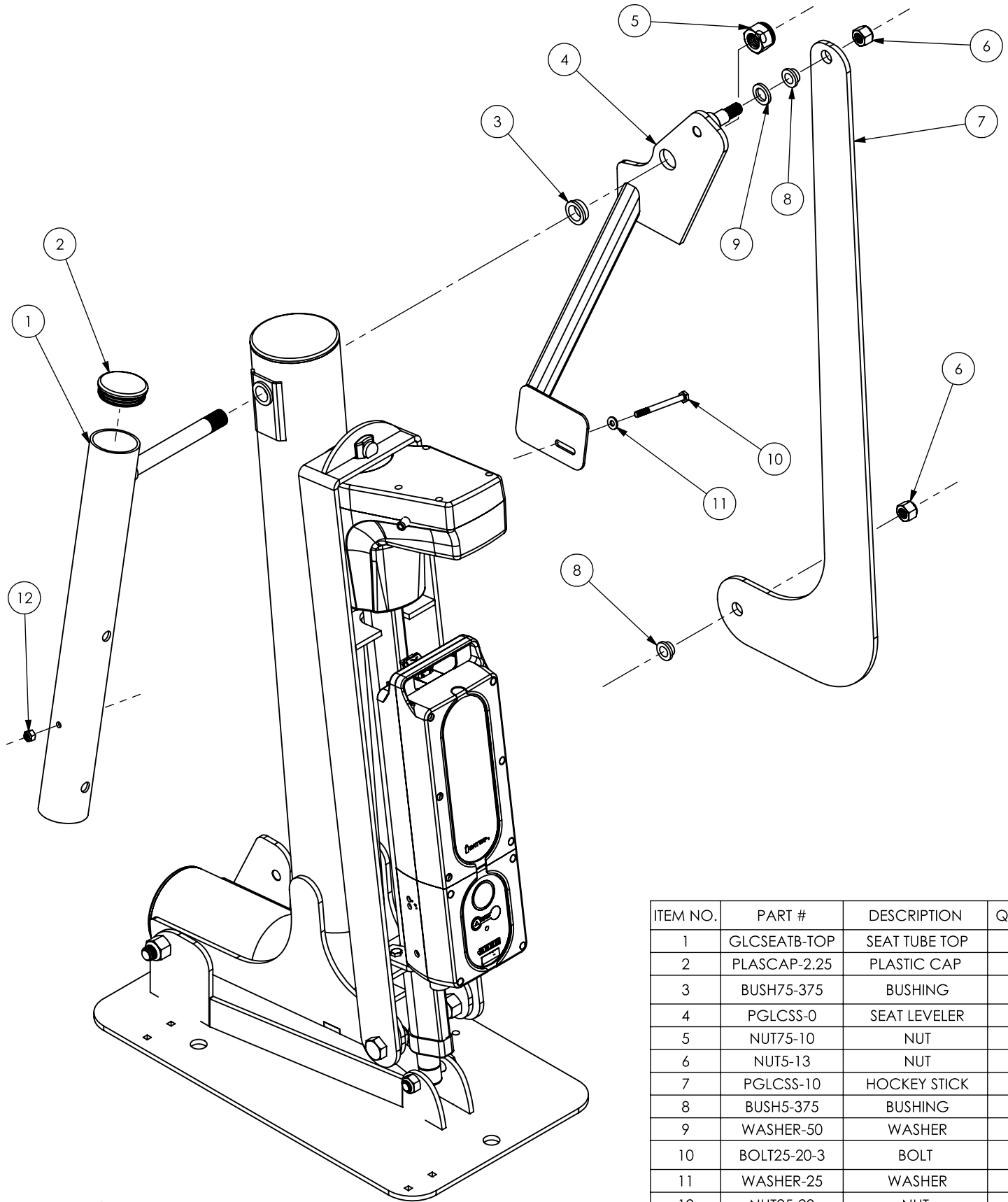
684 N. Port Crescent, Suite C
Bad Axe, MI 48413

TITLE: C-375, P-375
MAIN BEAM TO
BASE PLATE
ASSEMBLY

DWG. NO. CGLCMBEXPLD

NOTES:

REV.	DESCRIPTION	DATE	APVD.
------	-------------	------	-------



ITEM NO.	PART #	DESCRIPTION	QTY.
1	GLCSEATB-TOP	SEAT TUBE TOP	1
2	PLASCAP-2.25	PLASTIC CAP	1
3	BUSH75-375	BUSHING	1
4	PGLCSS-0	SEAT LEVELER	1
5	NUT75-10	NUT	1
6	NUT5-13	NUT	2
7	PGLCSS-10	HOCKEY STICK	1
8	BUSH5-375	BUSHING	2
9	WASHER-50	WASHER	1
10	BOLT25-20-3	BOLT	1
11	WASHER-25	WASHER	1
12	NUT25-20	NUT	1

MATERIAL: NOTED

SCALE: 1:6	REV: 100	DATE: 12/12/2012	DWR: B.E.
WEIGHT: LBS	MACH WEIGHT: LBS	APVD BY: J.I.	

DO NOT SCALE DRAWING
UNLESS OTHERWISE SPECIFIED
DIMENSIONS ARE IN INCHES
TOLERANCES ARE:
X. = ±.125 FRACTIONAL DIMENSIONS ±.125
XX. = ±.062 FILLET RADIUS .000 THRU +.094
XXX. = ±.031 HOLES .000 THRU .015
ANGLES ± 1 DEGREE

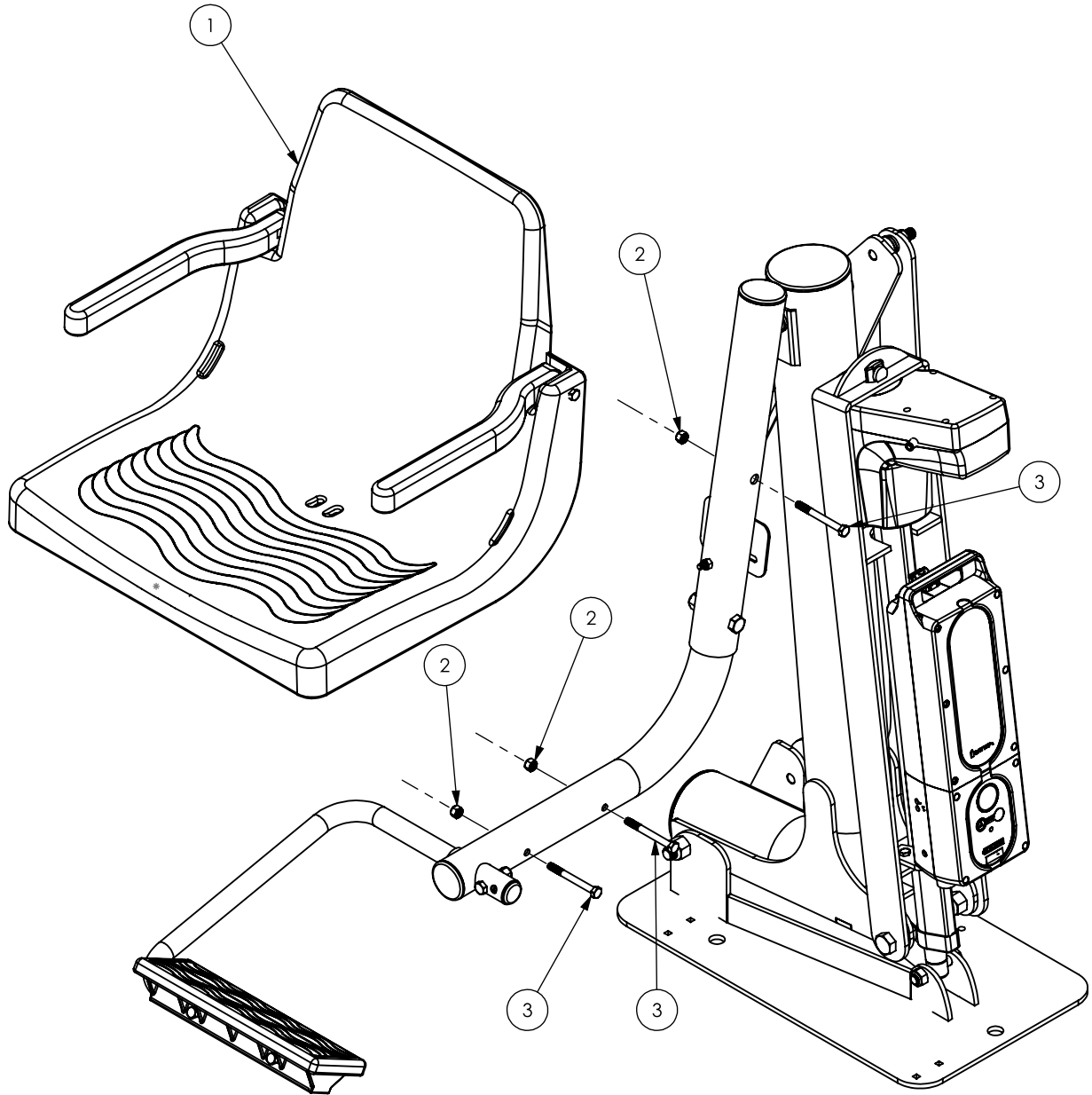
PROPRIETARY AND CONFIDENTIAL
THE INFORMATION CONTAINED IN THIS DRAWING IS THE SOLE
PROPERTY OF Global Lift Corporation. ANY REPRODUCTION IN
PART OR AS A WHOLE WITHOUT THE WRITTEN PERMISSION OF
Global Lift Corp. IS PROHIBITED.



TITLE: C-375, P-375
SEAT TUBE, SEAT LEVELER
& HOCKEY STICK
ASSEMBLY
DWG. NO. MVMNTCMPNTS

NOTES:

REV.	DESCRIPTION	DATE	APVD.
------	-------------	------	-------



ITEM NO.	PART #	DESCRIPTION	QTY.
1	GLCSEATB-1	PLASTIC SEAT	1
2	NUT313-18	NUT	3
3	BOLT313-18-3	BOLT	3

MATERIAL:

SCALE: 1:8	REV: 100	DATE: 12/12/2012	DWR: B.E.
WEIGHT: LBS	MACH WEIGHT: LBS	APVD BY: J.I.	

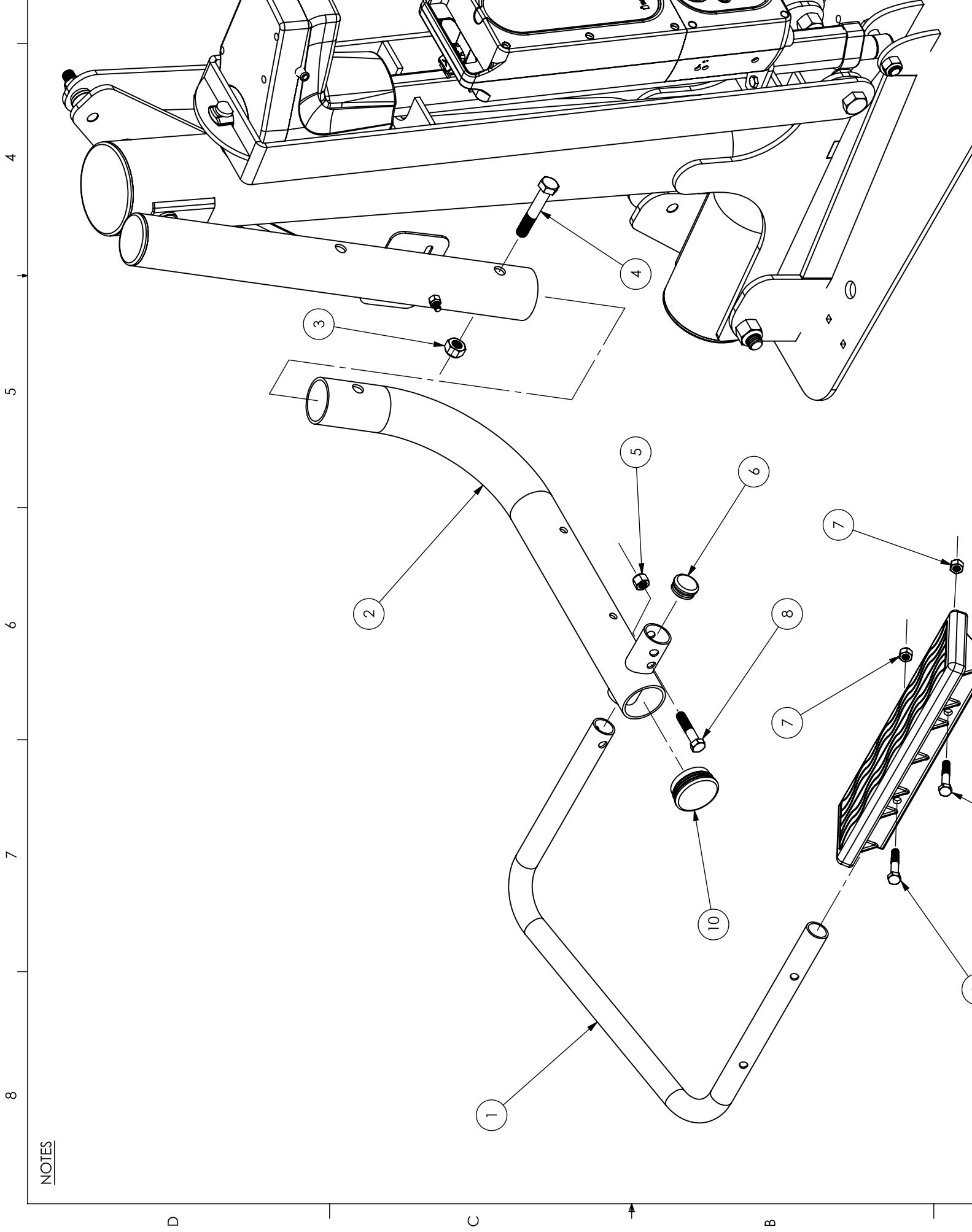
DO NOT SCALE DRAWING
UNLESS OTHERWISE SPECIFIED
DIMENSIONS ARE IN INCHES
TOLERANCES ARE:
X. = ±.125
XX. = ±.062
XXX. = ±.031
FRACTIONAL DIMENSIONS ±.125
FILLET RADIUS .000 THRU +.094
HOLES .000 THRU .015
ANGLES ± 1 DEGREE

PROPRIETARY AND CONFIDENTIAL
THE INFORMATION CONTAINED IN THIS DRAWING IS THE SOLE
PROPERTY OF Global Lift Corporation. ANY REPRODUCTION IN
PART OR AS A WHOLE WITHOUT THE WRITTEN PERMISSION OF
Global Lift Corp. IS PROHIBITED.



684 N. Port Crescent, Suite C
Bad Axe, MI 48413

TITLE:	SEAT INSTALLATION
DWG. NO.	STINSTL



4
5
6
7
8

D

C

B

NOTES