

# RANGER 2



## Item# F-RNGR2

The Ranger 2 is the new version of our most popular lift, The Ranger. The new ADA compliant lift features a field reversible design, 350 pound weight capacity, UL Certification, and comes standard with a 14 inch deck to water draft.

The Ranger 2 upholds the same standards for durability and reliability as all Aqua Creek pool lifts. This lift is ideal for use on smaller hotel and motel pools. It is also a great choice for backyard pool enthusiasts who enjoy their independence. This lift is designed to be independently operated by the user, allowing full control of the lift with an easy to use 2 button handset.

The Ranger 2 is available with the same color options, solar charging station, anchoring systems, and accessories as the Pro Pool Series lifts.



U.S. Patent Nos.  
7,249,386 B2 &  
D507,769S

### ACCENT COLORS

Available in a variety of accent and powder coat colors



\*Blue seat standard (not a powder coat option)

### OPTIONS/ACCESSORIES:

F-AACA	Adjustable height seat pole (adds up to 5" of seat height)
F-04CAJP	Anchor kit, standard with 4" inserts
F-08CAJP	Anchor kit, standard with 8" inserts for use with pavers
F-046QAB-AT1	Anchor kit, quick attach with 4" inserts
F-40220-AT1	Anchor kit, wood deck applications
F-120PPC	Cover, standard lockable, blue
F-120PPC-T	Cover, standard lockable, tan
F-120PPC-G	Cover, standard lockable, gray
F-422PLH-2	Headrest
F-105LAR	Pull-out leg rest
F-044SCH	Solar charging station
F-428HT	Transport cart



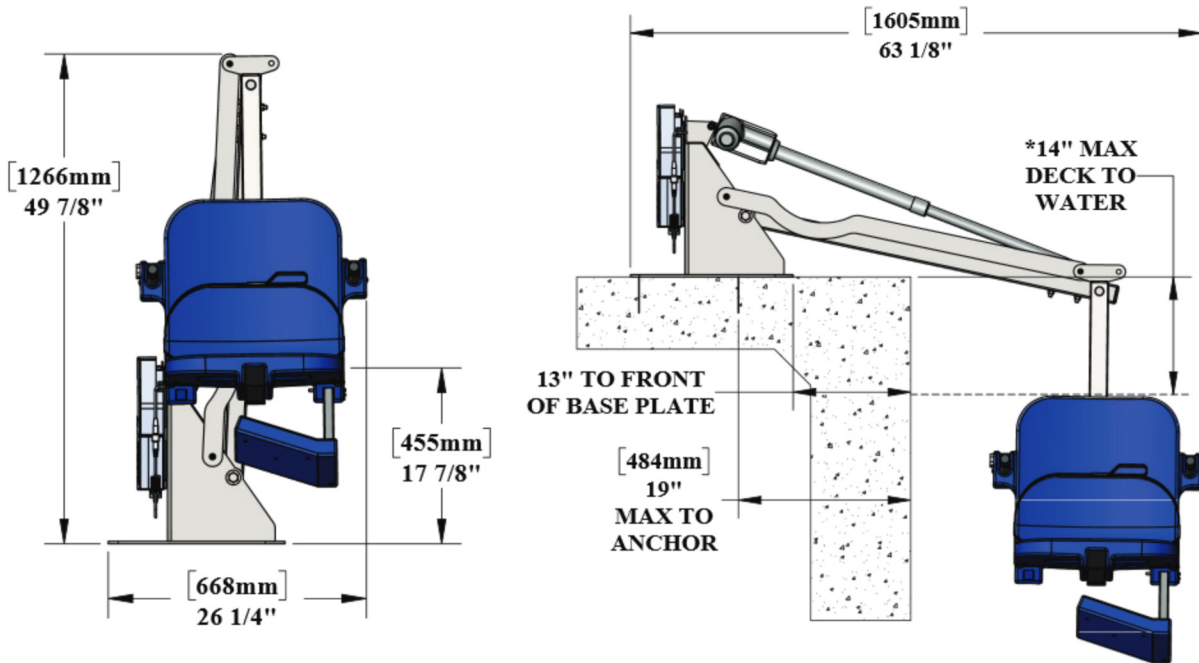
### FEATURES:

- UL Certified
- 350 lb (160 kg) weight capacity
- Setback range 14.5" - 19" (37 - 48 cm)
- 14" water draft
- Field Reversible
- Adjustable base plate
- Flip-up armrests
- Five year structural warranty
- Five year pro-rated electronics warranty

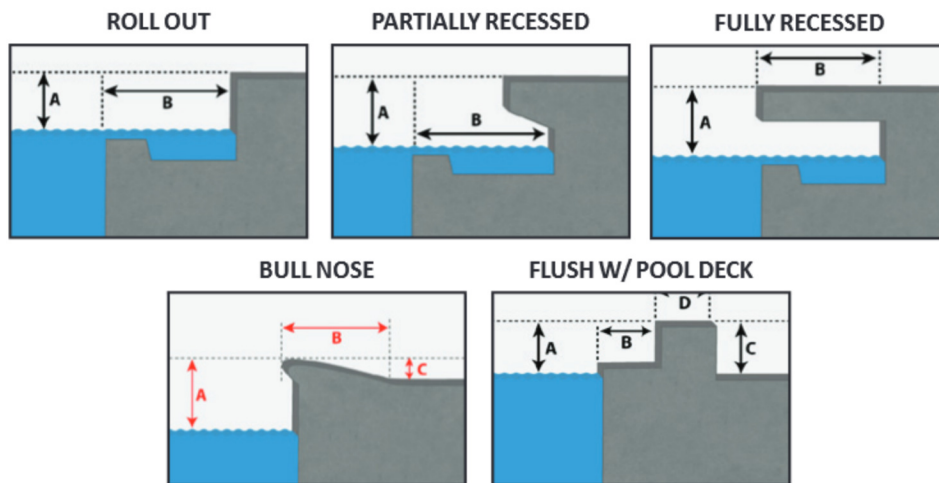
**PROUDLY SOLD BY:**

# THE RANGER 2 POOL LIFT

## PRODUCT SPECIFICATIONS



## APPLICABLE POOL PROFILES



To confirm specific application go to [www.aquacreek.com](http://www.aquacreek.com) for our Pool Lift Selector  
Become a member of our new Dealer and Architect page. Access to CAD blocks,  
CSI specs and sales materials.