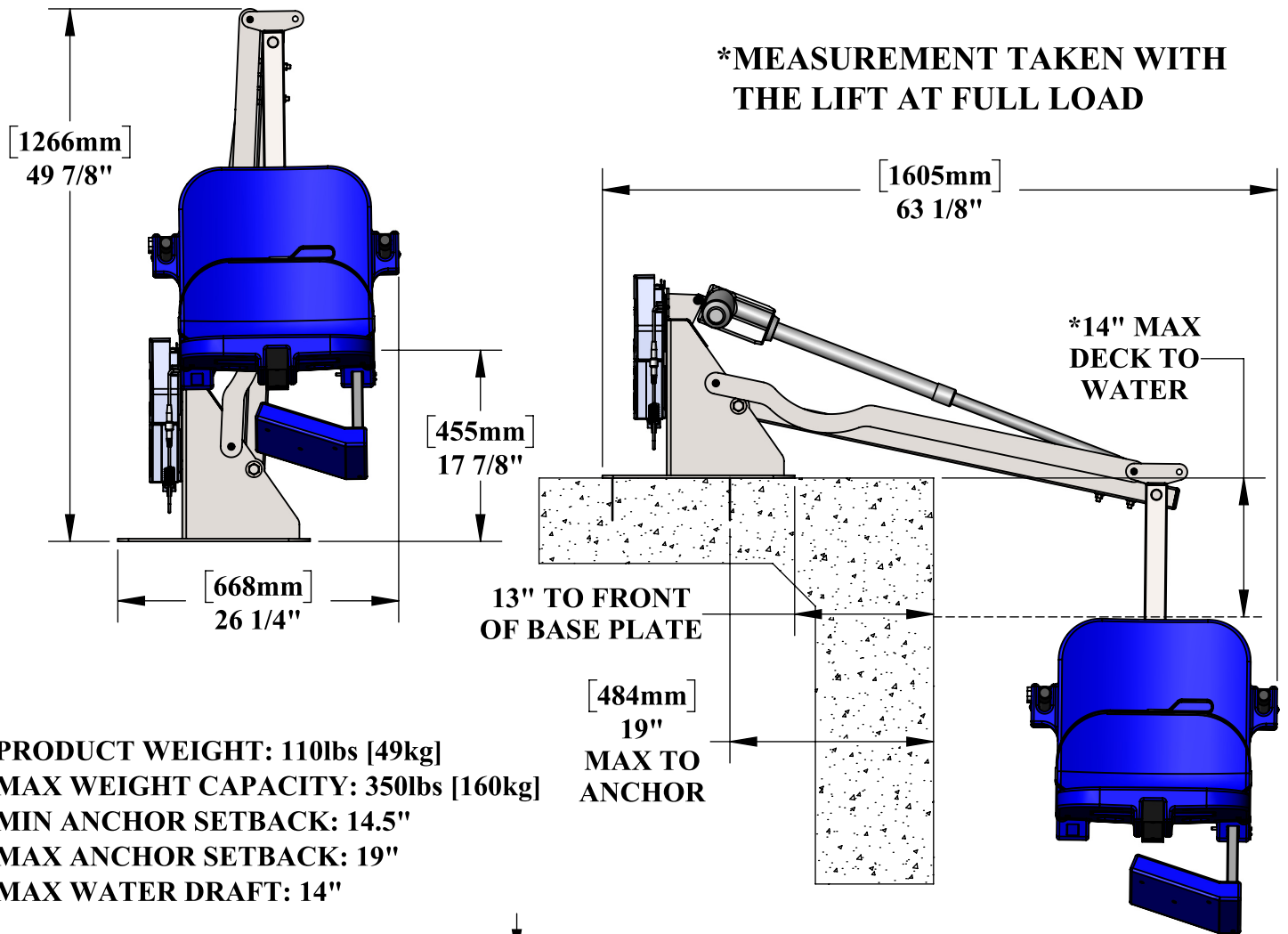
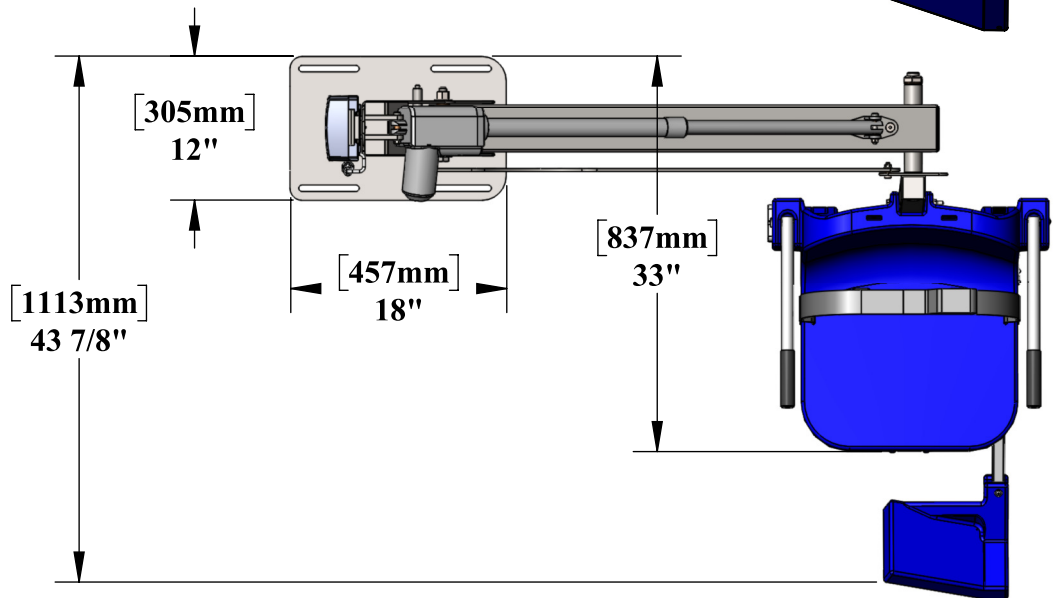


RANGER 2 POOL LIFT

***MEASUREMENT TAKEN WITH THE LIFT AT FULL LOAD**



PRODUCT WEIGHT: 110lbs [49kg]
MAX WEIGHT CAPACITY: 350lbs [160kg]
MIN ANCHOR SETBACK: 14.5"
MAX ANCHOR SETBACK: 19"
MAX WATER DRAFT: 14"



9889 GARRYMORE LANE
MISSOULA, MT 59808
(406) 549-0769
FAX (406) 549-2602

NOTE:
*SPECIFICATIONS ARE SUBJECT TO CHANGE WITHOUT NOTICE

| | | |
|-----------|-----------------|------------------------|
| PRODUCT: | RANGER 2 | |
| PART #: | F-RNGR2 | |
| SCALE: | 1:16 | DATE: 1/17/2019 |
| DRAWN BY: | KR | REVISION: A |