

poolLUX Power

pLX-PW60 & pLX-PW100



ETL LISTED
Conforms to UL STD 379;
Certified to CSA STD C22.2 #218.1

Intertek
5005508

Installation Instructions

Read all instructions before attempting to perform installation work
Type 3R Rainproof Enclosure

FOR USE WITH POOL AND SPA PRODUCTS

Contents

IMPORTANT SAFETY INFORMATION	3
Electrical Ratings	4
Recommended Tools and Supplies	4
INSTALLATION INSTRUCTIONS.....	5
Enclosure Mounting.....	5
Input / Supply Line Voltage	7
Output Wiring for Lights and Light Sources.....	8
OPERATING INSTRUCTIONS.....	10
Manual Rocker Switch Operation	10
WIRING DIAGRAM	11
REPLACEMENT PARTS.....	12

IMPORTANT SAFETY INFORMATION

CAUTION: POWER AND SIGNAL OUTPUT CONDUITS MUST BE NON-METALLIC

ATTENTION: CONDUITS POUR PUISSANCE DE SORTIE ET SORTIE SIGNAL DOIT ETRE NON METALLIQUE



ELECTRICAL SHOCK HAZARD – SWITCH DOES NOT TURN OFF INPUT POWER.

Failure to disconnect input power before servicing can lead to serious injury, or death.

Disconnect input power before servicing.

Replace all parts and panels before reconnecting power and operating

DANGER – FAILURE TO FOLLOW THESE WARNINGS, INSTRUCTIONS, AND THE OWNER'S MANUAL MAY RESULT IN SERIOUS INJURY OR DEATH.

Basic safety precautions shall be observed when installing and operating the poolLUX Power (p/n pLX-PW60/PW100) and other associated equipment:

1. A qualified electrician must install the poolLUX Power (p/n pLX-PW60/PW100) in accordance with the requirements of NEC ANSI/NFPA 70 and Article 680.
2. The poolLUX Power (p/n pLX-PW60/PW100) must be mounted on a flat vertical surface. The unit must be a minimum of 4 inches above the ground level, pool deck, or higher than 8 inches above the maximum pool water level, whichever provides greatest elevation. The unit must be positioned a minimum of 4 feet (1.2 m) away from the inside wall of the pool, unless separated from the pool by a solid fence, wall, or other permanent barrier.
3. CAUTION: THE EQUIPMENT AND CONTROLS SHALL BE LOCATED NOT LESS THAN 1 M HORIZONTALLY FROM THE SPA OR HOT TUB.
4. ATTENTION: MAINTENIR UNE DISTANCE MINIMALE, MESURÉE DANS UN PLAN HORIZONTAL, DE 1 M ENTRE LA CUVE DE RELAXATION ET LES APPAREILS ET COMMANDES.
5. ONLY USE COPPER CONDUCTORS.
6. Do not exceed the maximum electrical ratings of the poolLUX Power (p/n pLX-PW60/PW100) components (indicated on page 4), wiring devices, and current carrying capacity of the conductors.
7. poolLUX Power (p/n pLX-PW60/PW100) is intended to be used with low voltage underwater luminaires that comply with Article 680 of the National Electrical Code and does not require bonding due to their polymeric or isolated application design.
8. This device should never operate equipment that could cause property damage, bodily injury, or death should it be activated unexpectedly.
9. Use with branch circuit breakers with 15 amperes or less.
10. This device must be used with an approved ground-fault circuit interrupter (GFCI).
11. Use rain-tight or wet location hubs that comply with the requirements in the standard (UL514b) for conduit, tubing, and cable fittings only.
12. The conduit hub is to be connected to the power input conduit before the hub is connected to the enclosure.
13. Never allow children to operate the pLX-Power unit unsupervised.

Electrical Ratings

Do not exceed the maximum electrical output rating of each unit listed below.

Model	Input	Output
pLX-PW60	120 VAC, 60 Hz, 0.6A max	12-13 VAC, 60 Watt max
pLX-PW100	120 VAC, 60 Hz, 1.0A max	12-13 VAC, 100 Watt max

Use a 15 Amp, 120VAC GFCI Circuit Breaker for input power.

Thermal Cutoffs

To help protect against undesirable thermal conditions, the poolLUX Power (p/n pLX-PW60/PW100) utilizes thermal cutoffs that will stop electricity in the event of an overload, or overheat condition. When the fault condition is rectified, the output power will self-reset without user intervention.

Output Fuse

To protect against hazardous electrical conditions, the poolLUX Power (p/n pLX-PW60/PW100) utilizes a current fuse that will cut off output electricity in the event of a short circuit condition. When the fault condition is rectified and the fuse is replaced, normal operation will resume.

Only use S.R.Smith replacement fuses:

36-15017-00 (pLX-PW60) 36-15018-00 (pLX-PW100)

Recommended Tools and Supplies

1. Circular hole saw for installation of 3/4" and or 1" non-metallic conduit depending on installation requirements. **Do not use spade bits for opening the conduit knockouts.**
2. Application appropriate and approved 'rain-tight' or 'wet location' conduit hubs.
3. Additional duct seal may be required for three or more conduit installations.

*** Note:** Every installation will have at least two conduits - one for input power and one for output power. Most installations will likely have several output power conduits.

4. Slotted screwdriver, size #2
5. Phillips screwdriver, size #2
6. Drill
7. #10 Screws appropriate for installing the product onto a wall **(installer supplied)**

*** Note:** It is recommend to hand tighten all screw terminals and screw fasteners inside the enclosure and front cover until snug and secure. Be sure not to overtighten as permanent damage may occur.

INSTALLATION INSTRUCTIONS

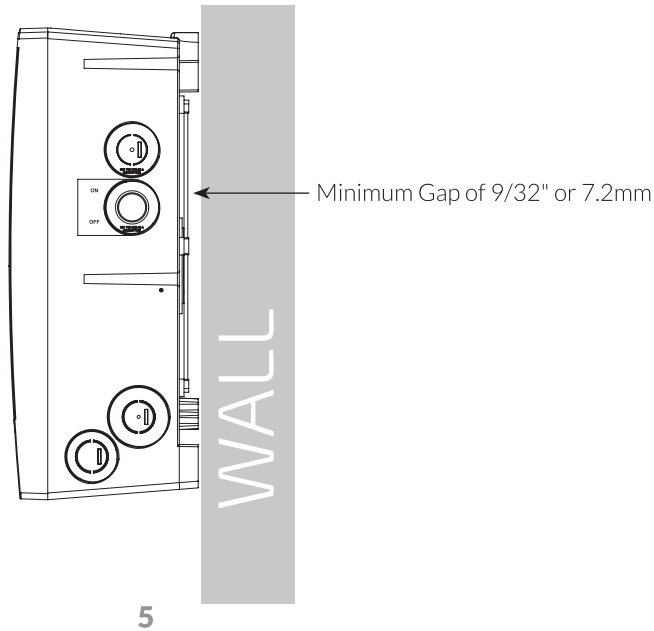
WARNING

- TURN OFF INCOMING POWER BEFORE SERVICING EQUIPMENT.
- ALL INSTALLATION AND MAINTENANCE WORK MUST BE PERFORMED BY A QUALIFIED ELECTRICIAN.
- GFCI BREAKER MUST BE USED TO CONNECT (p/n pLX-PW60/PW100) TO INPUT POWER.
- VERIFY ALL ELECTRICAL RATINGS BEFORE INSTALLATION IS COMPLETE.
- FOLLOW PROPER WIRING PRACTICES IN ACCORDANCE WITH ALL NATIONAL AND LOCAL REGULATORY REQUIREMENTS.

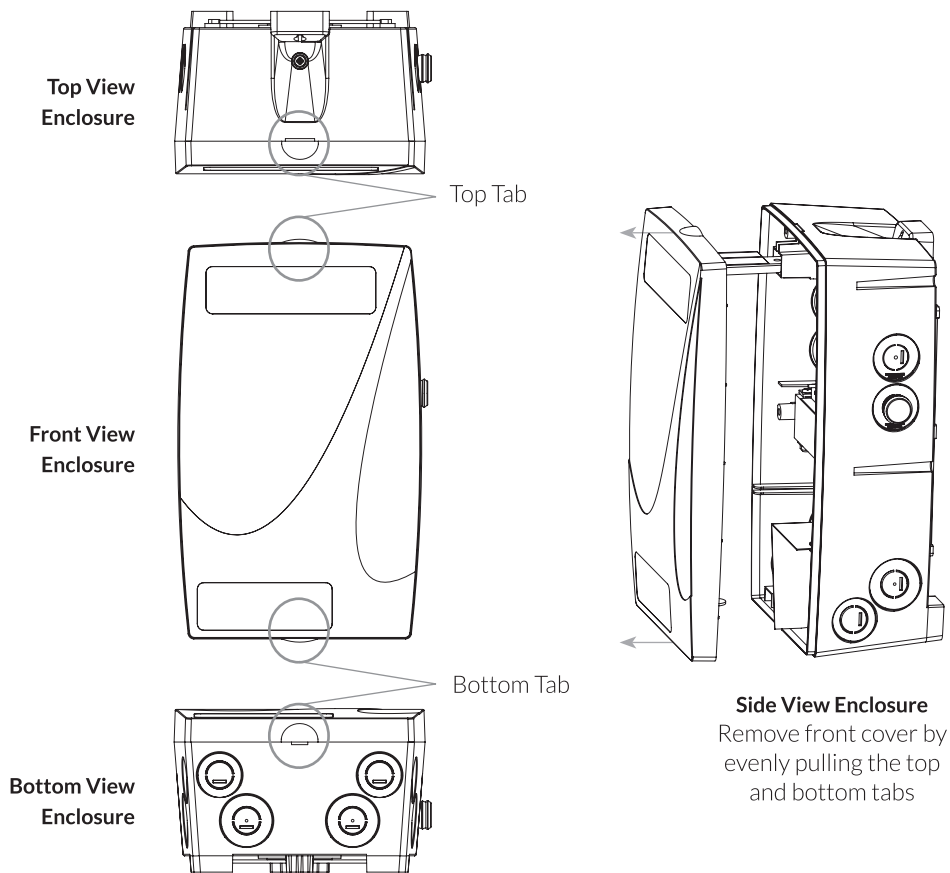
Enclosure mounting

1. Locate the poolLUX Power (p/n pLX-PW60/PW100) in an appropriate area that meets the following requirements:
 - a. Must be mounted on a flat vertical surface.
 - b. Must be a minimum of 4 inches above the ground level, pool deck, or higher than 8 inches above the maximum pool water level, whichever provides greatest elevation.
 - c. Must be positioned a minimum of 4 feet (1.2 m) from the inside wall of the pool unless separated from the pool by a solid fence, wall, or other permanent barrier.

For the unit to be adequately air cooled, allow a minimum gap of $9/32$ " (7.2mm) between the wall and the back surface of the unit. The stand-off mounting tabs will make contact with the wall.



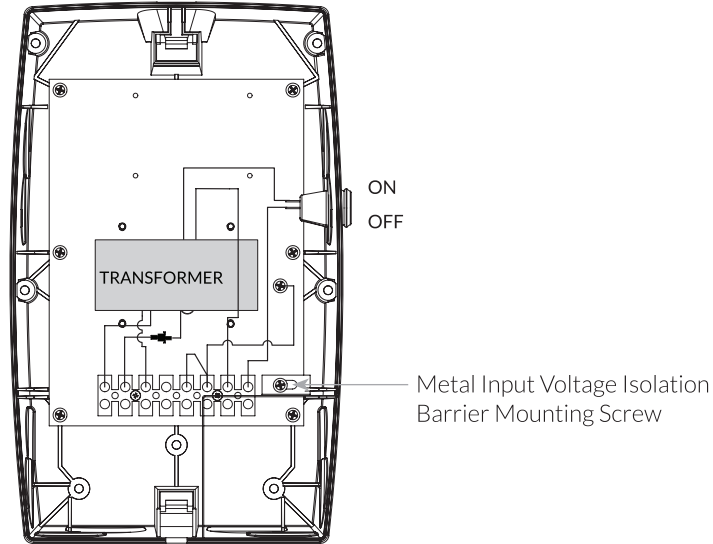
- By hand, open the enclosure by pulling the front cover off evenly by the top and bottom tabs. Do not angle or 'hinge' the cover when removing or damage may occur. If you cannot open the enclosure by hand, use a flat blade screwdriver to twist open the finger tabs of the cover at the top and bottom of the unit.



- Securely install a wall material appropriate #10 screw (Installer Supplied) into the location where the unit will be installed. The screw head must be 1 1/8" away from the wall to allow the unit to be mounted correctly.
- Place the mounting tab of the poolLUX Power (p/n pLX-PW60/PW100) over the #10 screw and let it hang in place. Level the unit and mark the remaining 2 mounting screw locations on the wall. Use 2 more material appropriate #10 screws (Installer Supplied) to secure the unit to the wall through the mounting holes on the back of the unit. Once the lower two screws are secure, tighten the top screw to securely hold the upper portion of the enclosure in place.

Input / Supply Line Voltage

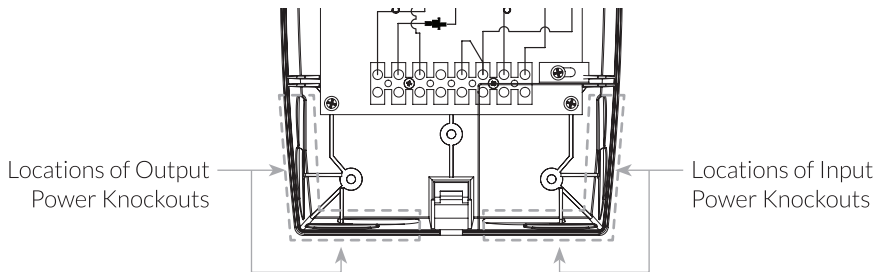
1. Remove the metal input voltage isolation barrier by unscrewing the mounting screw. Once the securing screw is removed, the isolation cover will pull straight out to allow easier access to the conduit knockout locations.



***Note:** Once all conduits are connected, replace the metal input voltage isolation barrier and mounting screw. Tighten until the mounting screw is secure.

2. Bring the supply power conduit to one of the four, lower right input power conduit knockout locations that terminate 'inside' the isolation barrier. No output connections are allowed through these knockout locations.

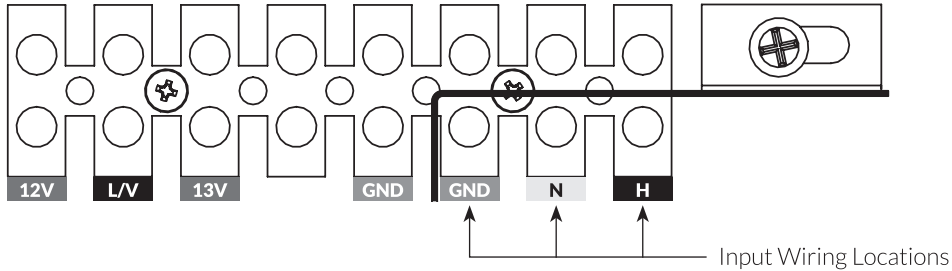
***Note:** The wiring of the input and output power are required to use separate conduits and must not share an individual conduit. No conduit should contain both input and output power wiring.



3. Using a hole saw, open the knockouts for the size of the conduit ($\frac{3}{4}$ " or 1") being installed.

- Attach an approved 'rain-tight' or 'wet location' hub to the conduit. After the hub is attached to the conduit, attach the hub to the enclosure.
- Connect the GFCI protected, 15A max, supply voltage line to the right side of the terminal block. Strip $\frac{3}{4}$ " of insulation and then connect the wires to the marked terminals and tighten securely.

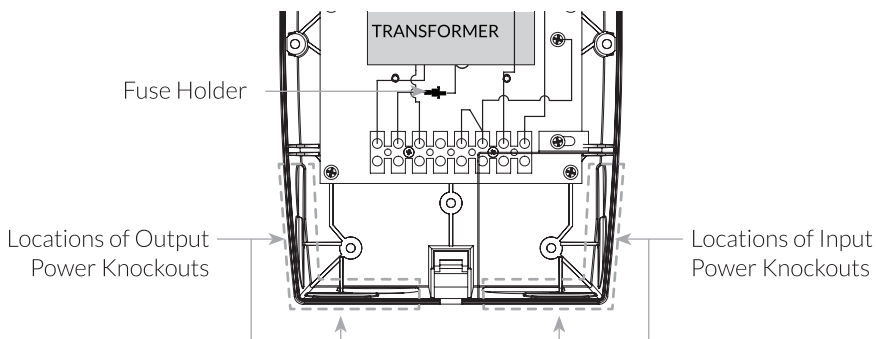
120V Hot GFCI Load to terminal marked: **H**
 120V Neutral GFCI Load to terminal marked: **N**
 Electrical System Ground to terminal marked: **GND**



- Replace and secure the metal input voltage isolation barrier and verify that the input wiring screw terminals are secure.

Output Wiring for Lights and Light Sources

- The combined load of all lights connected to the poolLUX Power must not exceed the following:
 - pLX-PW60 = 60 watts max
 - pLX-PW100 = 100 watts max
- The enclosure provides four (4) output conduit locations. If additional conduit terminations are required, an approved junction box may be used as a termination point and multiple output cables may be run through a single feeder conduit to the poolLUX Power.



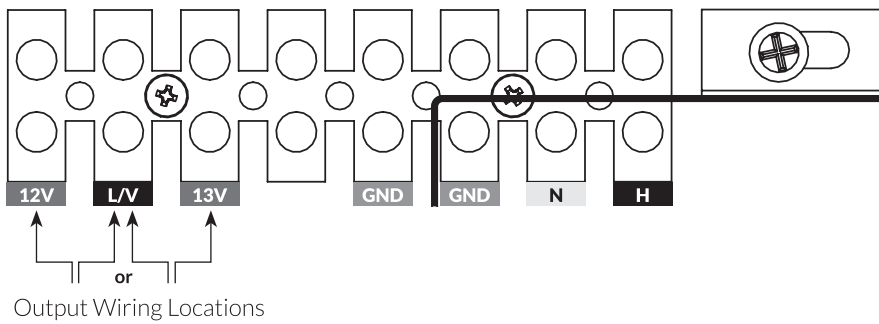


CAUTION - IF USING FEEDER OR SUPPLY LINES TO A JUNCTION BOX, BE SURE TO USE THE APPROPRIATE WIRE GAUGE FOR THE LOAD AND DISTANCES INVOLVED.

3. Using a hole saw, open the knockout for the size of the conduit ($\frac{3}{4}$ " or 1") being installed.
4. Bring output conduits to the open conduit locations. Any conduit used as output wiring runs between the lights and pLX-Power unit (p/n pLX-PW60/PW100) and any external controller shall be Non-Metallic (Polymeric).

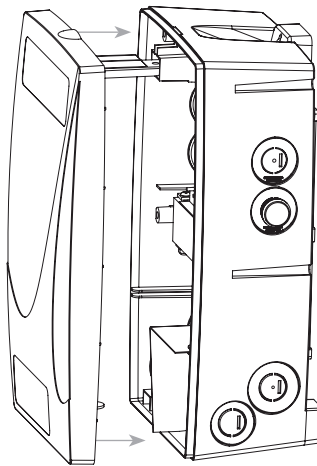
ATTENTION: LES CONDUITS DOIVENT ÊTRE RELIÉS PAR LA MASSE

5. Attach an approved 'rain-tight' or 'wet location' hub to the conduit first, and then attach hub to the enclosure.
6. The poolLUX Power has two low voltage electrical output terminals (Taps) or connection points that allow for 12VAC or 13VAC operation. Securely connect the lights' two conductors to the electrical (taps) output terminals. Most installations will utilize the terminal configuration of 12VAC terminal and low voltage common terminal. In some cases additional voltage may be required to operate the lights requiring use of the 13VAC terminal and the low voltage common terminal.



***Note:** DO NOT use or bridge both the 12VAC and 13VAC terminal positions at the same time.

7. Do a final inspection to verify all wiring connections are correct.
8. Once inspected, align the panel bayonet guides to the snap-in receivers along the centerline of the enclosure. Evenly and gently, push the cover in place ensuring that both the top and bottom latches 'snap' in place.
9. Apply power from the input supply voltage to the unit and function test the unit via the two-way rocker switch on the upper, right side of the unit.



OPERATING INSTRUCTIONS

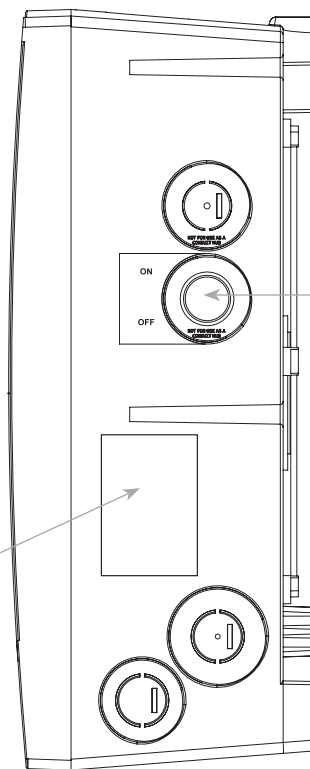
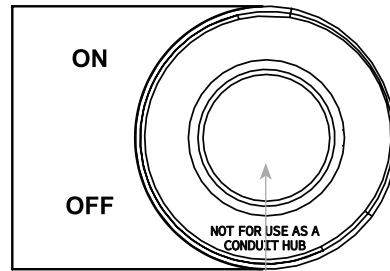
Manual Rocker Switch Operation


The poolLUX Power comes with one rocker switch for operation. The switch must be in the OFF (Down) position before powering on for the first time.

To turn ON (Up) the 12VAC connected lights, flip the Rocker Switch UP or to the ON position. To turn OFF the 12VAC connected lights, flip the Rocker Switch to the DOWN or OFF position.

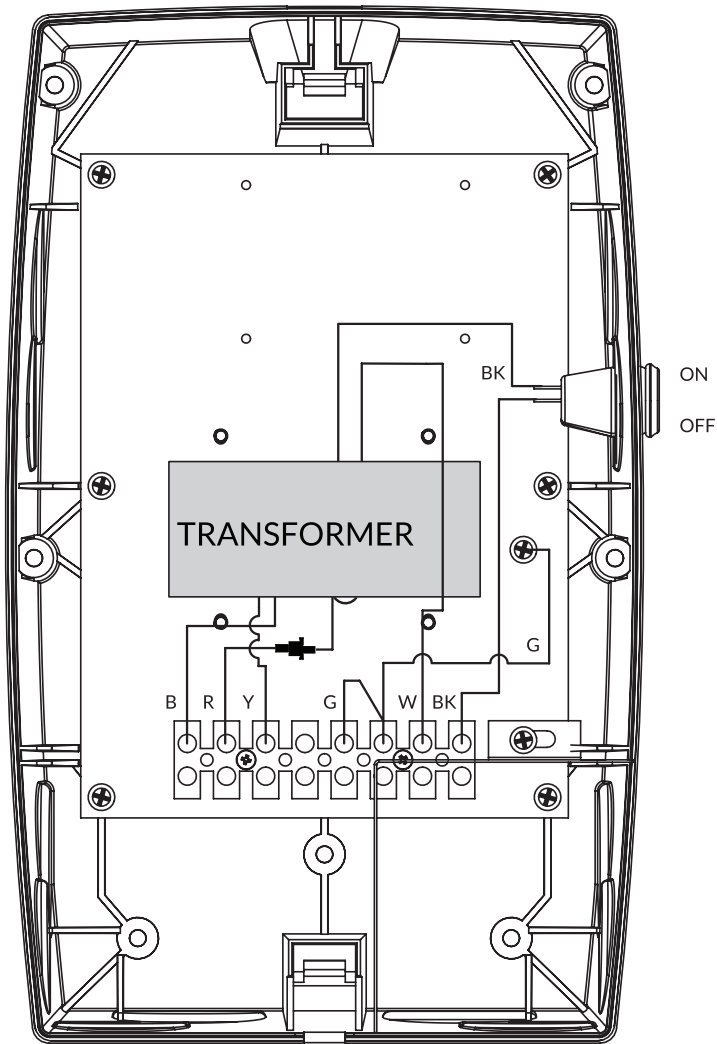
Color Changing Operation

To change LED pool light colors simply toggle between the ON/OFF position within 1 second of each toggle until the desired color or light show is reached.

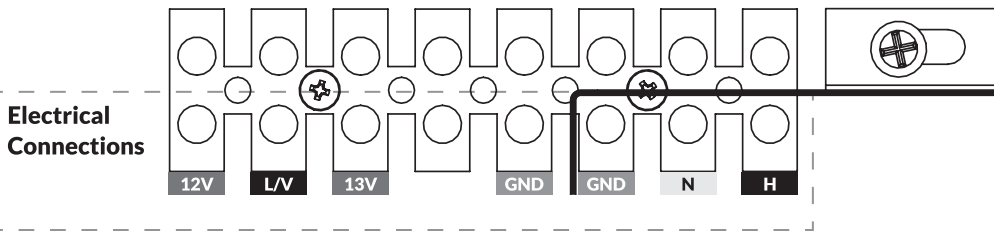


⚠ WARNING

ELECTRICAL SHOCK HAZARD -SWITCH DOES NOT TURN OFF INPUT POWER. Failure to disconnect input power before servicing can lead to serious injury, or death. Disconnect input power before servicing. Replace all parts and panels before reconnecting power and operating.

WIRING DIAGRAM



- NOTES: UNLESS OTHERWISE SPECIFIED
1. WIRE COLOR LEGEND:
 R = RED
 W = WHITE
 BK = BLACK
 B = BLUE
 Y = YELLOW
 G = GROUND
 2. ELECTRICAL CONNECTIONS LEGEND:
 12V = 12VAC
 L/V = LOW VOLTAGE COMMON
 13V = 13VAC
 GND = GROUND
 N = POWER INPUT NEUTRAL
 H = POWER INPUT



REPLACEMENT PARTS

Replacement parts for the poolLUX Power (pLX-PW60 or pLX-PW100):

Transformer (pLX-PW60)	44-15039-00
Transformer (pLX-PW100)	44-15040-00
2-Way Switch	38-15002-00
Isolation Barrier	02-15342-00
Isolation Barrier mounting screw, 8-32	10-15078-05
Fuse Holder	36-15016-00
Fuse (pLX-PW60)	36-15017-00
Fuse (pLX-PW100)	36-15018-00

Questions?

Contact One of Our Dedicated Lighting Specialists. **1-800-824-4387** x4012 or x2282



S.R.Smith, LLC

P.O. Box 400 | Canby, OR 97013

P 503.266.2231 **TF** 800.824.4387

srsmith.com