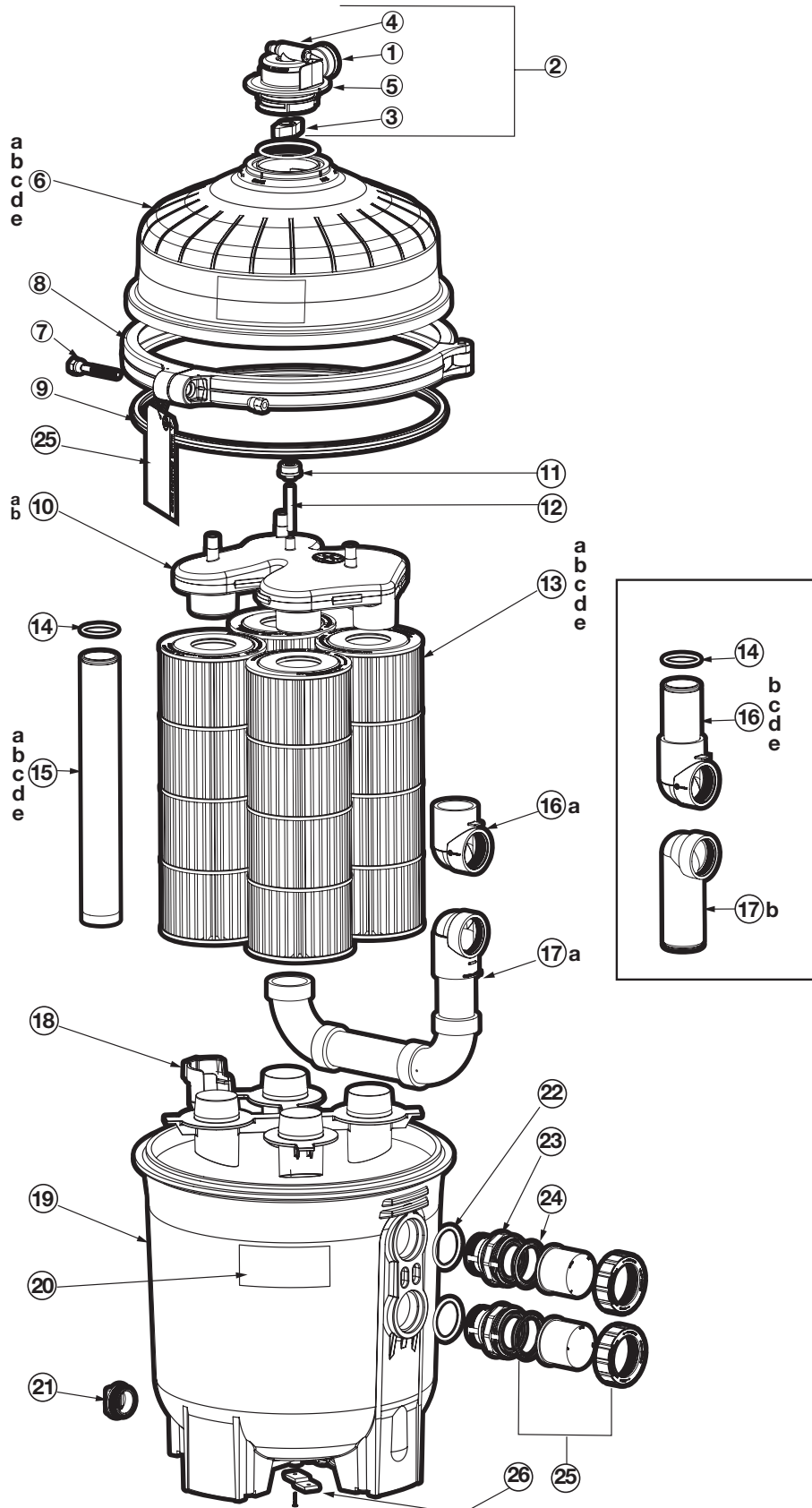


Parts Diagram



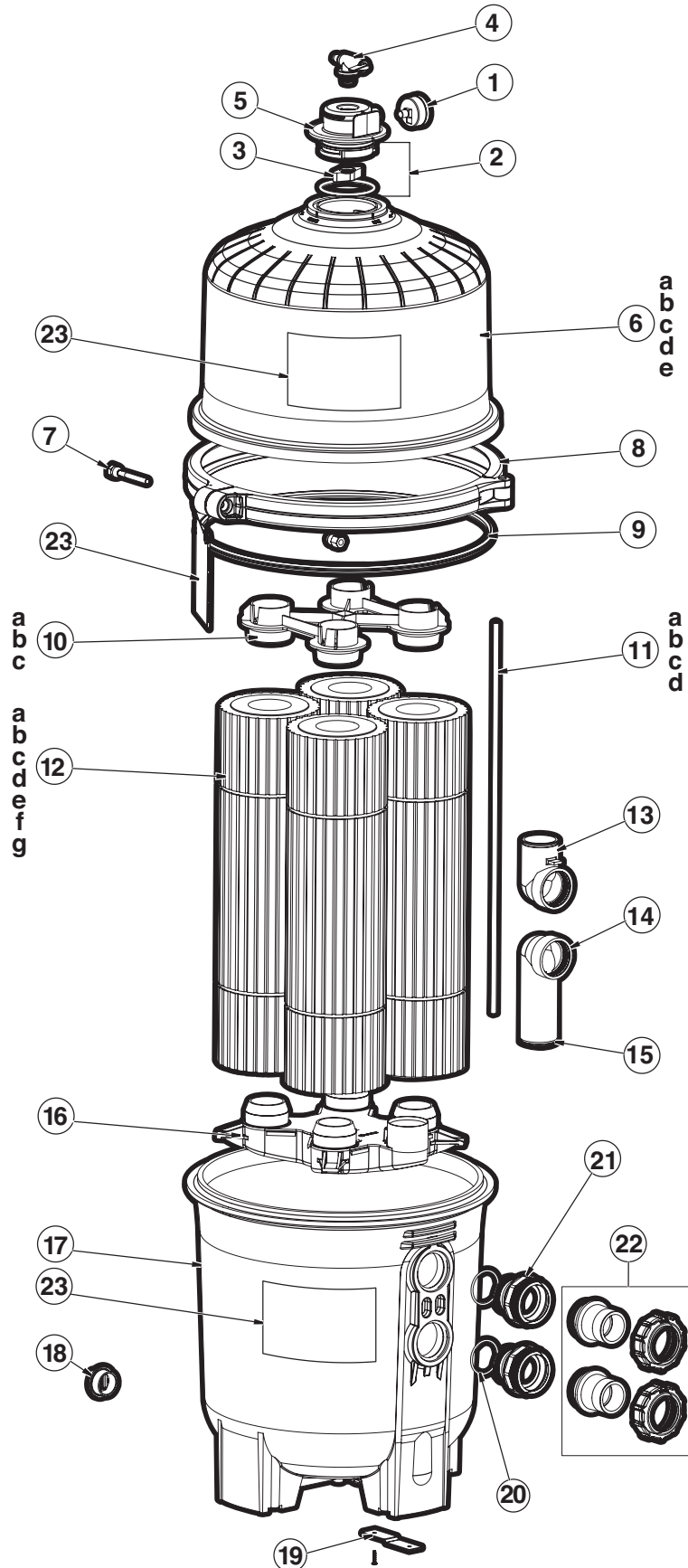
Filters

Parts Listing

Ref. No.	Part No.	Description	Ctn. Qty.
1	ECX2712B1	Pressure Gauge	20
2	DEX2420Z8A	O-Ring Kit (<i>set of 2</i>)	10
3	CCX1000N	Air Relief Valve Nut	50
4	CCX1000V	Manual Air Relief with O-Ring	50
5	DEX2420MAR2	Manual Air Relief Assembly	1
6a	DEX2420BTC	Upper Filter Body with Clamp C2030	1
6b	DEX3620BTC	Upper Filter Body with Clamp C3030	1
6c	DEX4820BTC	Upper Filter Body with Clamp C4030	1
6d	DEX6020BTC	Upper Filter Body with Clamp C5030	1
6e	DEX7220BTC	Upper Filter Body with Clamp C7030	1
7	DEX2421J2	Clamp Bolt and Nut	10
8	DEX2421JKIT	Clamp System (Includes Clamp, Clamp Nut and Bolt, Hang Tag, Metal Reinforced Seal, and Labels)	1
9	DEX2422Z2	Metal Reinforced Seal	1
10a	CX3030C	Top Manifold C2030, C3030, C4030	1
10b	CX5030C	Top Manifold C5030, C7030	1
11	CX3000J1	Air Relief Filter	250
12	CX2030Z3	Air Relief Tube	10
13a	CX481XRE	Cartridge Element C2030	1
	CX481XREPAK4	Cartridge Elements (4 Pack) C2030	1
13b	CX580XRE	Cartridge Element C3030	1
	CX580XREPAK4	Cartridge Elements (4 Pack) C3030	1
13c	CX880XRE	Cartridge Element C4030	1
	CX880XREPAK4	Cartridge Elements (4 Pack) C4030	1
13d	CX1280XRE	Cartridge Element C5030	1
	CX1280XREPAK4	Cartridge Elements (4 Pack) C5030	1
13e	CX591XRE	Cartridge Element C7030	1
	CX591XREPAK4	Cartridge Elements (4 Pack) C7030	1
	CX7020M	Mid Plate Connector C7030	1
14	DEX2400Z5	Outlet Pipe O-Ring	10
15a	CX3031F6	Outlet Pipe C2030	1
15b	CX3031F7	Outlet Pipe C3030	1
15c	CX3031F8	Outlet Pipe C4030	1
15d	CX3031F9	Outlet Pipe C5030	1
15e	CX3031F10	Outlet Pipe C7030	1
16a	CX3030F	Inlet Elbow (after Sept. 2012)	5
16b	CX3030F1	Outlet Elbow with Pipe C2030 (prior to Sept. 2012)	5
16c	CX3030F2	Outlet Elbow with Pipe C3030 (prior to Sept. 2012)	5
16d	CX3030F3	Outlet Elbow with Pipe C4030 (prior to Sept. 2012)	5
16e	CX3030F4	Outlet Elbow with Pipe C5030 (prior to Sept. 2012)	5
17a	CX3030H	SwimClear Lower Piping Assembly (after Sept. 2012)	1
17b	CX3020FB	Outlet Elbow (prior to Sept. 2012)	5
18	CX3030D	Bottom Cartridge Mounting Plate	1
19	DEX2420ATC	Lower Filter Body with Clamp	1
20	DEX2420LA6PAK	Label Pack (Includes all Warning and Operation Labels, Hang Tag, Wire Tie, Owner's Manual)	10
21	SP1022CBLK	1 ½" Drain Plug with O-Ring (Black)	100
22	SX220Z2	Bulkhead O-Ring	10
23	CX3035F	Bulkhead Fitting	25
24	SPX3200UG	Union Gasket (<i>set of 2</i>)	100
25	SPX3200UNKIT	Union Connection Kit (2 each of nuts, connectors, gaskets)	10
26	DEX2420DCKIT	(Optional) Tie Down – Strap Kit (2 each of straps, screws)	25

Parts Diagram

Filters



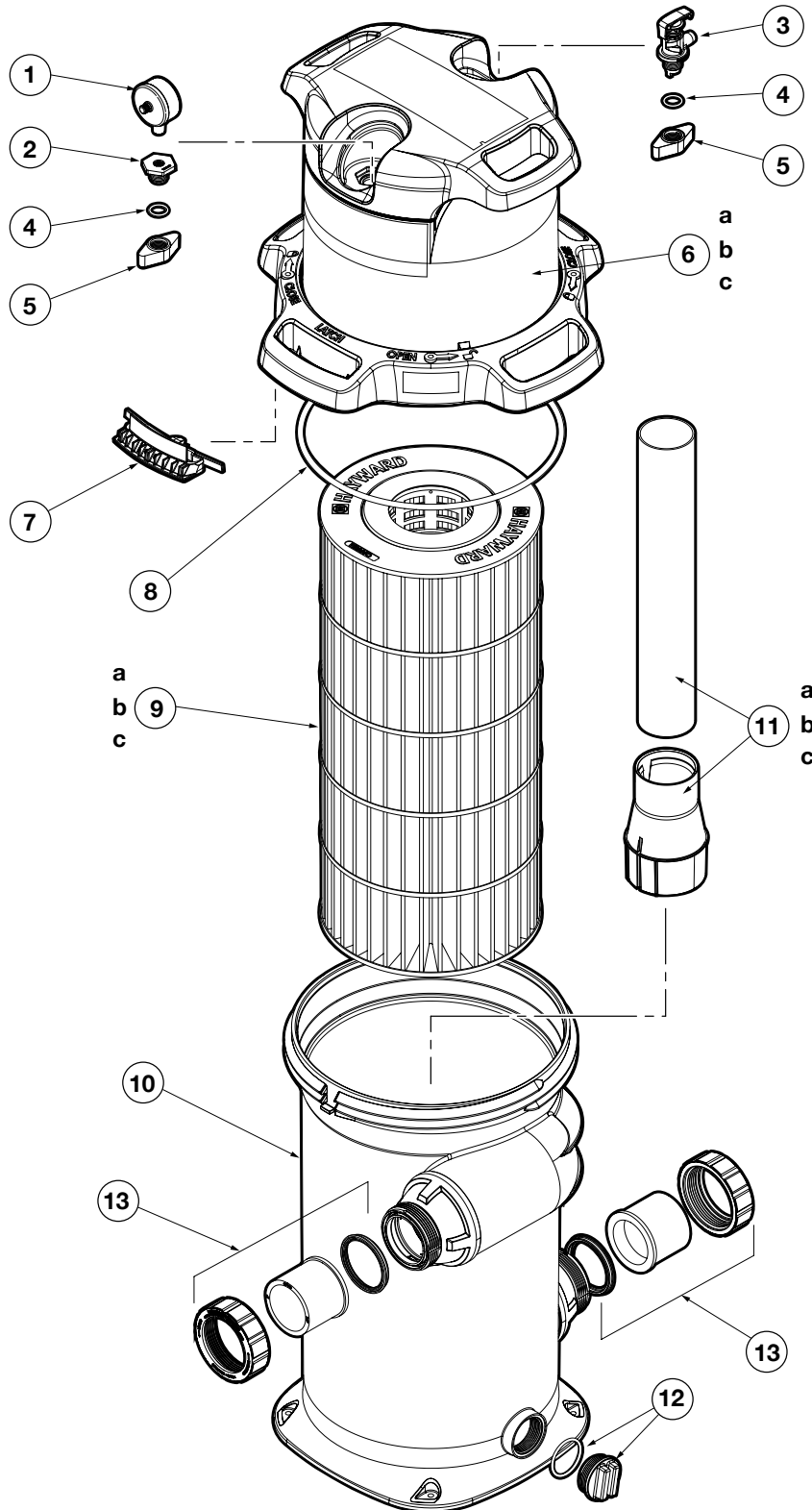
Parts Listing

Ref. No.	Part No.	Description	Ctn. Qty.
1	ECX2712B1	Pressure Gauge	20
2	DEX2420Z8A	O-Ring Kit (<i>Set of 2</i>)	10
3	CCX1000N	Manual Air Relief Valve Nut	50
4	CCX1000V	Manual Air Relief Valve with O-Ring	50
5	DEX2420MAR2	Manual Air Relief Assembly	1
6a	DEX2420BTC	Filter Head (C2020/C2025)	1
6b	DEX3620BTC	Filter Head (C3020/C3025)	1
6c	DEX4820BTC	Filter Head (C4020/C4025)	1
6d	DEX6020BTC	Filter Head (C5020/C5025)	1
6e	DEX7220BTC	Filter Head (C7000/C7020)	1
7	DEX2421J2*	Clamp Bolt and Nut	10
8	DEX2421JKIT	Clamp Assembly (Including Clamp, Clamp Nut and Bolt, Warning Hang Tag, Metal Reinforced Seal and Labels)	1
9	DEX2422Z2*	Metal Reinforced Seal	1
10a	CX2020DA	Top Closure Plate (C2020/C2025)	1
10b	CX3020DA	Top Closure Plate (C3020/C3025, C4020/C4025)	1
10c	CX5020DA	Top Closure Plate (C5020/C5025)	1
11a	CX800Z4	Air Relief Tube Assembly (C2020/C2025)	20
11b	CX3000Z3	Air Relief Tube Assembly (C3020/C3025)	50
11c	CX4000Z3	Air Relief Tube Assembly (C4020/C4025)	50
11d	CX5000Z3	Air Relief Tube Assembly (C5020/C5025)	50
12a	CX480XRE	Replacement Element (C2020/C2025)	1
	CX480XREPAK4	Cartridge Elements (C2020, C2025) – 4 Pack	1
12b	CX580XRE	Replacement Element (C3020/C3025)	1
	CX580XREPAK4	Cartridge Elements (C3020, C3025) – 4 Pack	1
12c	CX880XRE	Replacement Element (C4020/C4025)	1
	CX880XREPAK4	Cartridge Elements (C4020, C4025) – 4 Pack	1
12d	CX875XRE	Replacement Element (C4520)	1
	CX875XREPAK4	Cartridge Elements (C4520) – 4 Pack	1
12e	CX1280XRE	Replacement Element (C5020/C5025)	1
	CX1280XREPAK4	Cartridge Elements (C5020, C5025) – 4 Pack	1
12f	CX1380XRE	Replacement Element (C5520 Series)	1
	CX1380XREPAK4	Cartridge Elements (C5520) – 4 Pack	1
12g	CX590XRE	Replacement Element (C7000/C7020)	1
	CX590XREPAK4	Cartridge Elements (C7000, C7020) – 4 Pack	1
—	CX7020M	Mid Plate Connector (C7000/C7020 Models Only)	1
13	CX3000F1B	Inlet Elbow	25
14	CX3020FB	Outlet Elbow	5
15	DEX360M	O-Ring	100
16	CX3000C	Bottom Collector Manifold	1
17	DEX2420ATC	Filter Body	1
18	SP1022CBLK	1 ½" Drain Plug with O-Ring	100
19	DEX2420DCKIT	Strap Kit (Optional)	25
20	SX220Z2	O-Ring	10
21	DEX2420F	Bulkhead Fitting	25
22	DE2400PAK2CS	Plumbing Kit (Includes 2 O-Rings, 2 Slip Connectors and 2 Locknuts)	10
23	DEX2420LA6PAK	Label Pack (Includes all Warning and Operation Labels, Hang Tag (#24), Wire Tie and Owner's Manual)	10

NOTE: *Compatible only with DEX2421JKIT clamp system for Hayward Pro-Grid™ D.E. and SwimClear™ cartridge filters.

Parts Diagram

Filters



Parts Listing

Ref. No.	Part No.	Description	Ctn. Qty.
1	ECX271261	Pressure Gauge	20
2	CCX1000L	Threaded Adapter for Pressure Gauge	50
3	CXRLV1001	Air Relief Assembly with O-Ring	20
4	CXGAR1001PAK2	O-Ring Kit (<i>Set of 2</i>)	20
5	CCX1000N	Adapter Nut (<i>Set of 2</i>)	50
6a	CX100B	Filter Head Assembly, C100S	1
6b	CX150B	Filter Head Assembly, C150S	1
6c	CX200B	Filter Head Assembly, C200S	1
7	CXLRL1001	Latch for Lock Ring	10
8	CXFHR1001	O-Ring for Filter Head	10
9a	CX100XRE	Cartridge Element C100S	1
9b	CX150XRE	Cartridge Element C150S	1
9c	CX200XRE	Cartridge Element C200S	1
10	CXFBA1001	Filter Body Assembly	1
11a	CXFDA100	Filter Diffuser Assembly C100S	1
11b	CXFDA150	Filter Diffuser Assembly C150S	1
11c	CXFDA200	Filter Diffuser Assembly C200S	1
12	SP1022CBLK	Drain Plug with O-Ring	100
13	SPX3200UNKIT	Union Connection Kit (2 each of Nuts, Connectors and Gaskets)	10

OPTIONAL

—	SPX1500JS	Union Connector 1.5" Socket	25
—	SPX1500JT	Union Connector 1.5" FIP	5