



Introducing the latest generation of 3 HP  
In-ground Pool Pumps

**3.0 HP**

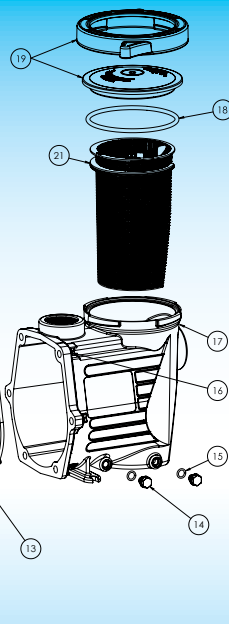
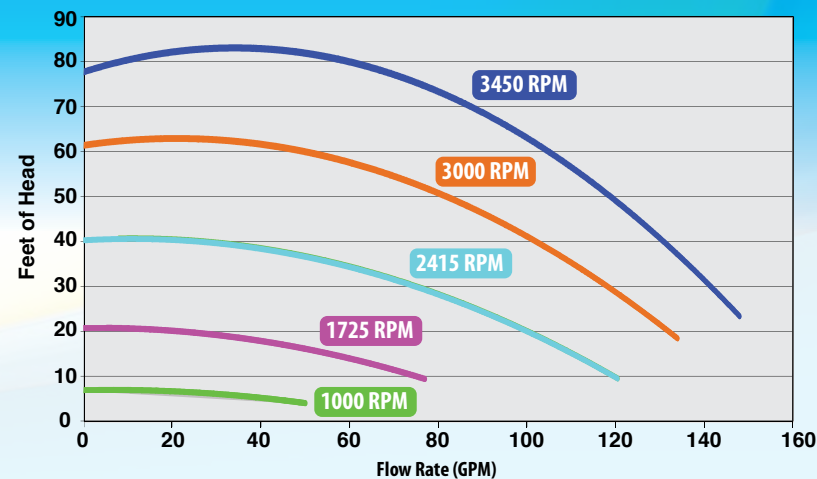


Part #: PD-VSC300

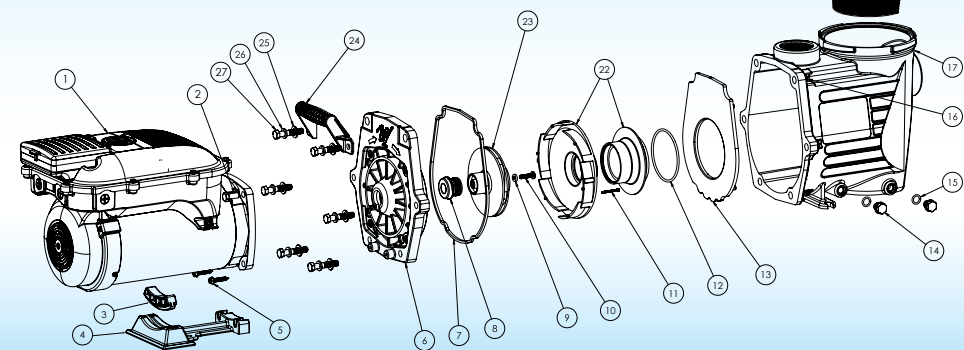
**FEATURES:**

- More efficient performance! Up to 90% (as much as \$1,500/year) in energy savings
- 3 HP, 13.5 Amps, 230 VAC
- Direct drop-in for other manufacturer's single, 2-speed or variable speed pumps
- Easy to install w/versatile adjustable base
- Proven performance wet end with large trap basket & easy access two-piece lid
- Simple programming with up to 4 scheduled filter settings
- Works great with Waterway OASIS Pool & Spa Control as well as competitive control systems
- Silicone carbide seals, Viton bellows, 316SS casing for superior protection from bromine, chlorine, hydrogen peroxide and salt
- Automatic protection from extreme temperature variation and voltage spikes

**Power Defender 300 – 3.0 HP – Performance Curves**



- |    |            |  |
|----|------------|--|
| 1  | -          | Motor                                      |
| 2  | 819-0035   | Bolt .375-16 X .875 Long                   |
| 3  | 672-1350   | Motor Support Supra Max                    |
| 4  | 319-1500   | Motor Base                                 |
| 5  | 819-0013   | Screw Slot Hex Washer 1/4" X 1_1/4"        |
| 6  | 311-1450   | Face Plate                                 |
| 7  | 711-1400   | Gasket, Face Plate                         |
| 8  | 319-3100B  | Pump Seal Set-Viton                        |
| 9  | 711-4300   | Washer, Impeller                           |
| 10 | 819-4360   | Screw Phil. Pan Head Left Hand 1/4-20 X 1" |
| 11 | 819-0018   | #4-40 Uncs Bolt Schs                       |
| 12 | 805-0238   | O-Ring-238                                 |
| 13 | 319-1420   | Diffuser Plate                             |
| 14 | 715-1200   | 3/8" Quarter Slot Plug (Sd Wet End)        |
| 15 | 805-0014   | O-Ring, -014                               |
| 16 | 820-4280   | Brass Insert, 3/8-16 Unc Housing           |
| 17 | 315-2410   | Pump Housing - 2" X 2" Npt                 |
| 18 | 805-0436   | O-Ring, 6" Trap Lid                        |
| 19 | 319-4100   | Lid Assembly, 6" Trap                      |
| 21 | 319-1430   | Basket Assy                                |
| 22 | 310-7470   | Diffuser Assy                              |
| 23 | 310-7430   | 2 HP Full 2.5 HP Upr Impeller Assy         |
| 24 | 319-1700   | Handle                                     |
| 25 | 820-0017   | 3/8" Flat Washer Type B, Pool Pumps        |
| 26 | 820-0017-1 | 3/8" Washer, Split Lock                    |
| 27 | 819-0016   | 3/8"-16 X 2" Lg Hex Head                   |



**POWER DEFENDER 300**  
3 HP Variable Speed Pump



**POWER DEFENDER 165**  
1.65 HP Variable Speed Pump



**POWER DEFENDER 270**  
2.7 HP Variable Speed Pump

Smart energy solutions for the Pool & Spa industry.



2200 East Sturgis Road, Oxnard CA 93030  
Phone 805.981.0262 • Fax 805.981.9403

www.waterwayplastics.com • waterway@waterwayplastics.com

Designed, Engineered & Manufactured in the USA.





Part #: PD-VSC270  
Model #: ECONO-VSC



**2-Piece Lid Assembly**  
for improved access & serviceability!

Part #: PD-VSC165  
Model #: ECONOVSC-165



# 2.7 HP

## FEATURES:

- Provides impressive savings up to 90% on your energy bill. Can save up to \$1,500 per season\*
- May be eligible for rebates from your local power utility\*\*
- Pump is pressure testable up to 50 PSI
- User-Friendly programming
- Optional off-board mounting of controls.
- Ability to install and program additional load (booster pump, chlorine generator)
- Display is easy to view in any light
- 2" Swivel Union (included) & 2" FPT
- Super quiet operation with built-in freeze protection
- Adjustable Base (included) – Easy replacement for most brand pumps
- Compliant with all energy legislation. Meets Title 20 & Title 24 regulations

Built-in Programmable User Interface with Timer



**Both Power Defender Variable Speed Pumps are Energy Star Approved.**

ENERGY STAR is a U.S. Environmental Protection Agency (EPA) voluntary program that helps businesses and individuals save money and protect our climate through superior energy efficiency.

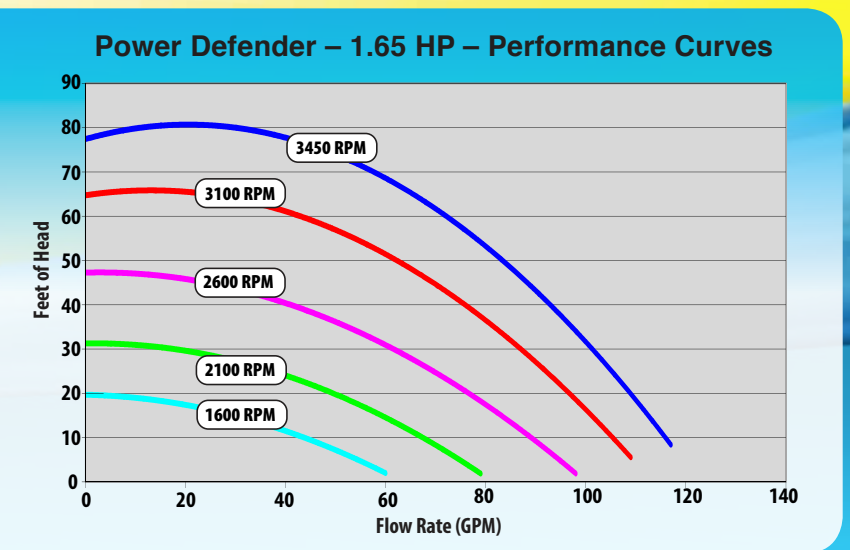
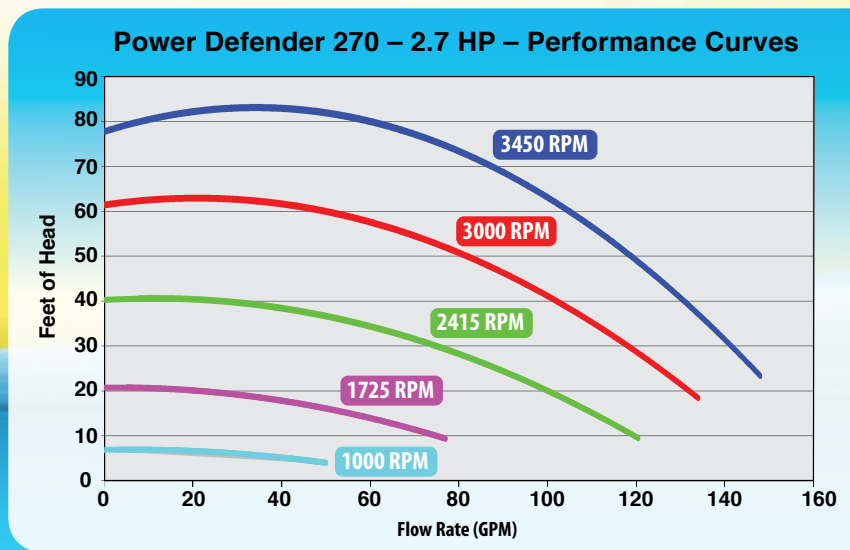


# 1.65 HP

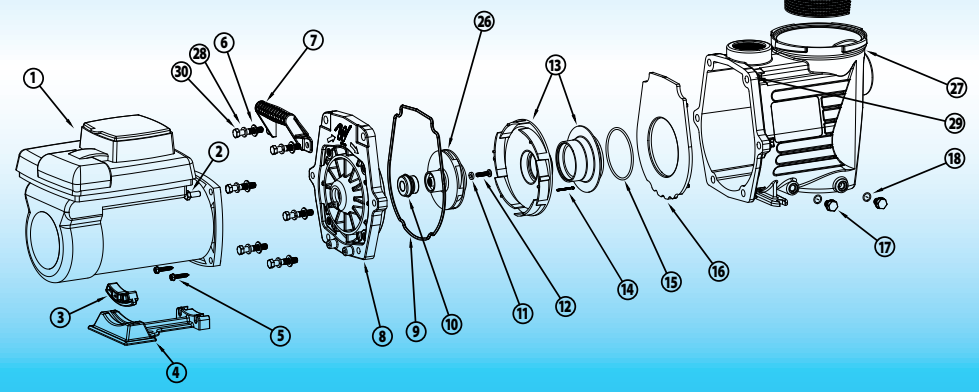
## FEATURES:

- Maximum 1.65HP
- Timer Mode
- Full Variable Speed (600-3450 RPM)
- Freeze Protection
- Program Memory Back-up
- Keypad Lockout Feature
- 2" Swivel Union (included) & 2" FPT
- Adjustable Base (included) – Easy replacement for most brand pumps

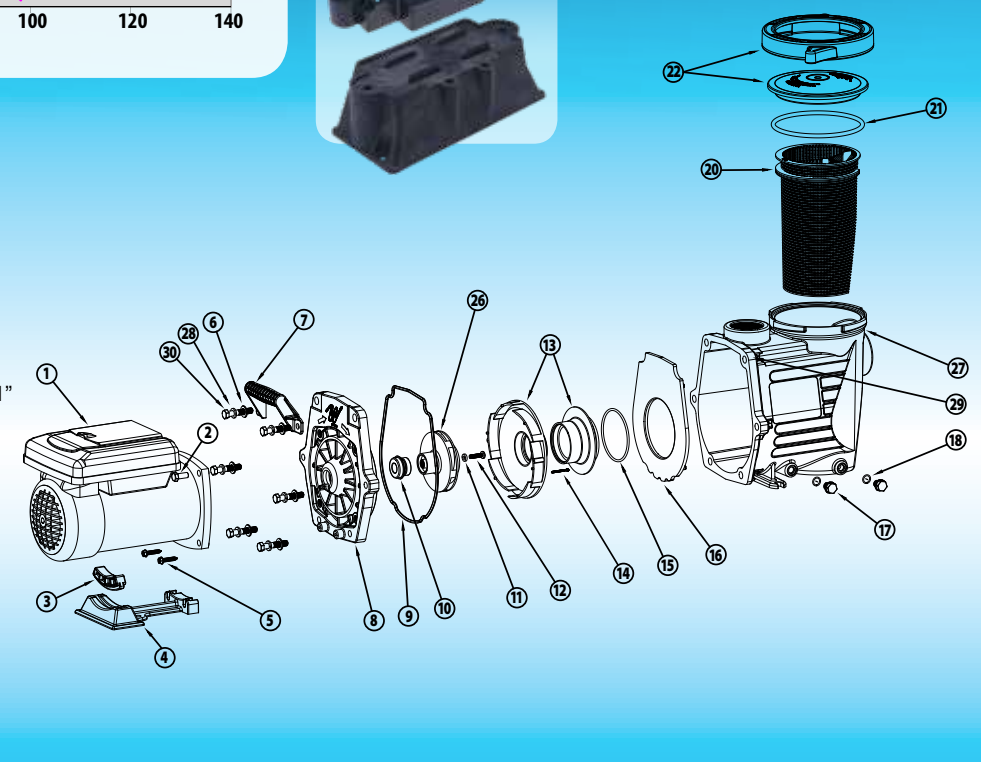
Built-in Programmable User Interface with Timer



\* This estimate is based on a 25,000 gallon swimming pool and comparing a traditional single speed pump running 8 hours per day with 1.8 turnover per day with the Waterway Variable Speed pump operating at one turnover per day. Actual saving may vary based on plumbing size and length, hours of operations, local electricity rate, etc.  
\*\* Visit your local power utility company's website for details on available rebates.



- |    |   |
|----|---|
| 1  | Motor   |
| 2  | 819-0035 Bolt .375-16 X .875 Long                   |
| 3  | 672-1350 Motor Support Supra Max                    |
| 4  | 319-1500 Motor Base                                 |
| 5  | 819-0013 Screw Slot Hex Washer 1/4" X 1_1/4"        |
| 6  | 820-0017 3/8" Flat Washer Type B, Pool Pumps        |
| 7  | 319-1700 Handle                                     |
| 8  | 311-1450 Face Plate                                 |
| 9  | 711-1400 Gasket, Face Plate                         |
| 10 | 319-3100B Pump Seal Set-Viton                       |
| 11 | 711-4300 Washer, Impeller                           |
| 12 | 819-4360 Screw Phil. Pan Head Left Hand 1/4-20 X 1" |
| 13 | 310-7470 Diffuser Assy                              |
| 14 | 819-0018 #4-40 Uncs Bolt Schs                       |
| 15 | 805-0238 O-Ring-238                                 |
| 16 | 319-1420 Diffuser Plate                             |
| 17 | 715-1200 3/8" Quarter Slot Plug (Sd Wet End)        |
| 18 | 805-0014 O-Ring, -014                               |
| 20 | 319-1430 Basket Assy                                |
| 21 | 805-0436 O-Ring, 6" Trap Lid                        |
| 22 | 319-4100 Lid Assembly, 6" Trap                      |
| 26 | 310-7430 2 HP Full 2.5 HP Upr Impeller Assy         |
| 27 | 315-2410 Pump Housing - 2" X 2" Npt                 |
| 28 | 820-0017-1 3/8" Washer, Split Lock                  |
| 29 | 820-4280 Brass Insert, 3/8-16 Unc Housing           |
| 30 | 819-0016 3/8"-16 X 2" Lg Hex Head                   |



- |    |   |
|----|---|
| 1  | Motor   |
| 2  | 819-0035 Bolt .375-16 X .875 Long                   |
| 3  | 672-1350 Motor Support Supra Max                    |
| 4  | 319-1500 Motor Base                                 |
| 5  | 819-0013 Screw Slot Hex Washer 1/4" X 1_1/4"        |
| 6  | 820-0017 3/8" Flat Washer Type B, Pool Pumps        |
| 7  | 319-1700 Handle                                     |
| 8  | 311-1450 Face Plate                                 |
| 9  | 711-1400 Gasket, Face Plate                         |
| 10 | 319-3100B Pump Seal Set-Viton                       |
| 11 | 711-4300 Washer, Impeller                           |
| 12 | 819-4360 Screw Phil. Pan Head Left Hand 1/4-20 X 1" |
| 13 | 310-7470 Diffuser Assy                              |
| 14 | 819-0018 #4-40 Uncs Bolt Schs                       |
| 15 | 805-0238 O-Ring-238                                 |
| 16 | 319-1420 Diffuser Plate                             |
| 17 | 715-1200 3/8" Quarter Slot Plug (Sd Wet End)        |
| 18 | 805-0014 O-Ring, -014                               |
| 20 | 319-1430 Basket Assy                                |
| 21 | 805-0436 O-Ring, 6" Trap Lid                        |
| 22 | 319-4100 Lid Assembly, 6" Trap                      |
| 26 | 310-7430 2 HP Full 2.5 HP Upr Impeller Assy         |
| 27 | 315-2410 Pump Housing - 2" X 2" Npt                 |
| 28 | 820-0017-1 3/8" Washer, Split Lock                  |
| 29 | 820-4280 Brass Insert, 3/8-16 Unc Housing           |
| 30 | 819-0016 3/8"-16 X 2" Lg Hex Head                   |



675-1380